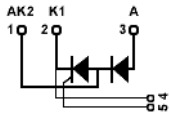


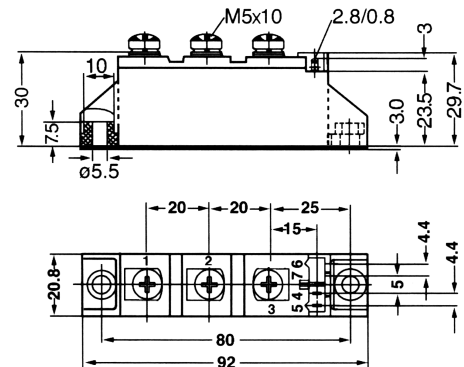
STD/SDT70

Thyristor-Diode Modules, Diode-Thyristor Modules



Type	V_{RSM}	V_{RRM}
	V_{DSM}	V_{DRM}
	V	V
STD/SDT70GK08	900	800
STD/SDT70GK12	1300	1200
STD/SDT70GK14	1500	1400
STD/SDT70GK16	1700	1600
STD/SDT70GK18	1900	1800
STD/SDT70GK20	2100	2000
STD/SDT70GK22	2300	2200
STD/SDT70GK24	2500	2400

Dimensions in mm (1mm=0.0394")



Symbol	Test Conditions	Maximum Ratings	Unit	
I_{TRMS}, I_{FRMS} I_{TAVM}, I_{FAVM}	$T_{VJ}=T_{VJM}$ $T_C=85^\circ\text{C}; 180^\circ$ sine	180 70	A	
I_{TSM}, I_{FSM}	$T_{VJ}=45^\circ\text{C}$ $V_R=0$ $t=10\text{ms}$ (50Hz), sine $t=8.3\text{ms}$ (60Hz), sine	1600 1700	A	
	$T_{VJ}=T_{VJM}$ $V_R=0$ $t=10\text{ms}$ (50Hz), sine $t=8.3\text{ms}$ (60Hz), sine	1450 1550		
$\int i^2 dt$	$T_{VJ}=45^\circ\text{C}$ $V_R=0$ $t=10\text{ms}$ (50Hz), sine $t=8.3\text{ms}$ (60Hz), sine	13500 12600	A ² s	
	$T_{VJ}=T_{VJM}$ $V_R=0$ $t=10\text{ms}$ (50Hz), sine $t=8.3\text{ms}$ (60Hz), sine	10600 10250		
$(di/dt)_{cr}$	$T_{VJ}=T_{VJM}$ $f=50\text{Hz}, t_p=200\mu\text{s}$ $V_D=2/3V_{DRM}$ $I_G=0.45\text{A}$ $di_G/dt=0.45\text{A}/\mu\text{s}$	repetitive, $I_T=250\text{A}$ non repetitive, $I_T=I_{TAVM}$	150 500	A/ μs
	$T_{VJ}=T_{VJM};$ $R_{GK}=\infty;$ method 1 (linear voltage rise)	$V_{DR}=2/3V_{DRM}$	1000	V/ μs
P_{GM}	$T_{VJ}=T_{VJM}$ $I_T=I_{TAVM}$	$t_p=30\mu\text{s}$ $t_p=300\mu\text{s}$	10 5	W
P_{GAV}			0.5	W
V_{RGM}			10	V
T_{VJ} T_{VJM} T_{stg}			-40...+125 125 -40...+125	$^\circ\text{C}$
V_{ISOL}	50/60Hz, RMS $I_{ISOL}\leq 1\text{mA}$	$t=1\text{min}$ $t=1\text{s}$	3000 3600	V~
M_d	Mounting torque (M5) Terminal connection torque (M5)		2.5-4.0/22-35 2.5-4.0/22-35	Nm/lb.in.
Weight	Typical including screws		90	g

STD/SDT70

Thyristor-Diode Modules, Diode-Thyristor Modules

Symbol	Test Conditions	Characteristic Values	Unit
I_{RRM}, I_{DRM}	$T_{VJ}=T_{VJM}; V_R=V_{RRM}; V_D=V_{DRM}$	5	mA
V_T, V_F	$I_T, I_F=320A; T_{VJ}=25^{\circ}C$	1.65	V
V_{TO}	For power-loss calculations only ($T_{VJ}=125^{\circ}C$)	0.85	V
r_T		3.2	$m\Omega$
V_{GT}	$V_D=6V;$ $T_{VJ}=25^{\circ}C$ $T_{VJ}=-40^{\circ}C$	1.5 1.6	V
I_{GT}	$V_D=6V;$ $T_{VJ}=25^{\circ}C$ $T_{VJ}=-40^{\circ}C$	100 200	mA
V_{GD}	$T_{VJ}=T_{VJM};$ $V_D=2/3V_{DRM}$	0.2	V
I_{GD}		10	mA
I_L	$T_{VJ}=25^{\circ}C; t_p=10\mu s; V_D=6V$ $I_G=0.45A; di_G/dt=0.45A/\mu s$	450	mA
I_H	$T_{VJ}=25^{\circ}C; V_D=6V; R_{GK}=\infty$	200	mA
t_{gd}	$T_{VJ}=25^{\circ}C; V_D=1/2V_{DRM}$ $I_G=0.45A; di_G/dt=0.45A/\mu s$	2	μs
t_q	$T_{VJ}=T_{VJM}; I_T=150A; t_p=200\mu s; -di/dt=10A/\mu s$ $V_R=100V; dv/dt=20V/\mu s; V_D=2/3V_{DRM}$	185	μs
Q_S	$T_{VJ}=T_{VJM}; I_T, I_F=50A; -di/dt=6A/\mu s$	170	μC
I_{RM}		45	A
R_{thJC}	per thyristor/diode; DC current per module	0.3 0.15	K/W
R_{thJK}	per thyristor/diode; DC current per module	0.5 0.25	K/W
d_s	Creeping distance on surface	12.7	mm
d_A	Strike distance through air	9.6	mm
a	Maximum allowable acceleration	50	m/s^2

FEATURES

- * International standard package
- * Copper base plate
- * Planar passivated chips
- * Isolation voltage 3600 V~

APPLICATIONS

- * DC motor control
- * Softstart AC motor controller
- * Light, heat and temperature control

ADVANTAGES

- * Space and weight savings
- * Simple mounting with two screws
- * Improved temperature and power cycling
- * Reduced protection circuits

STD/SDT70

Thyristor-Diode Modules, Diode-Thyristor Modules

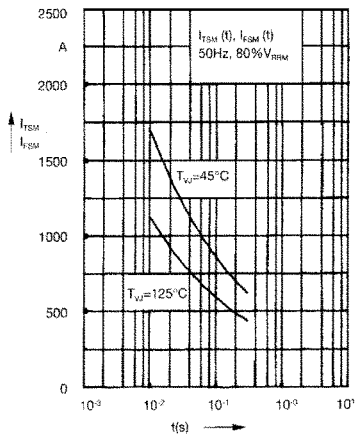


Fig. 1 Surge overload current
 I_{TSM}, I_{FSM} : Crest value, t : duration

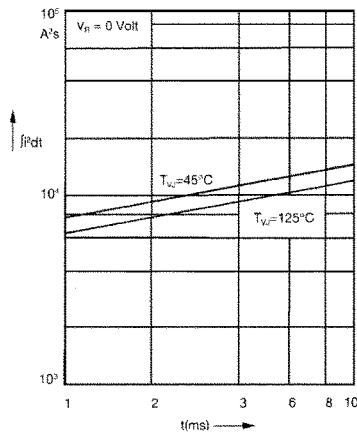


Fig. 2 $\int i^2 dt$ versus time (1-10 ms)

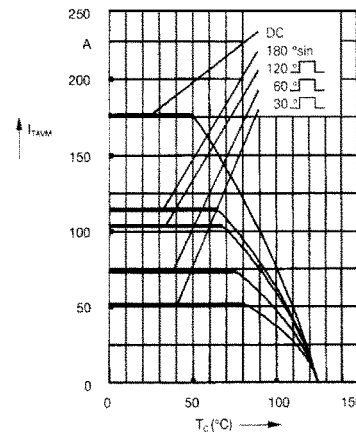


Fig. 2a Maximum forward current at case temperature

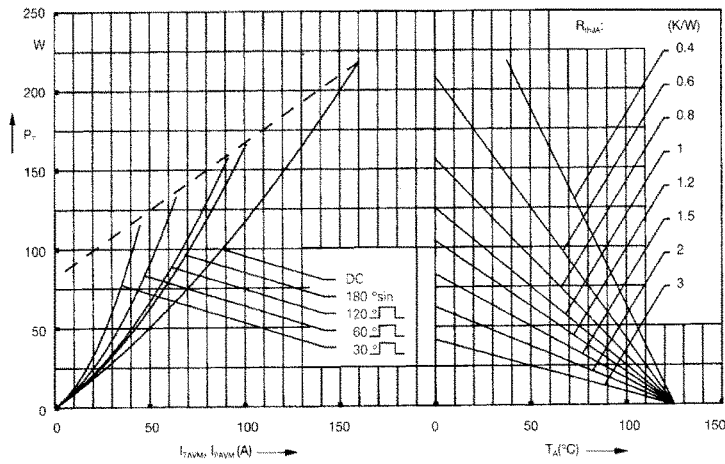


Fig. 3 Power dissipation versus on-state current and ambient temperature (per thyristor or diode)

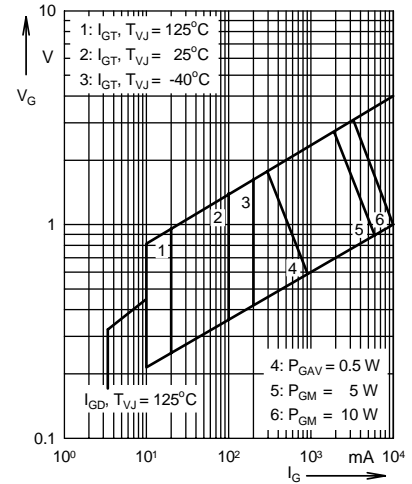


Fig. 4 Gate trigger characteristics

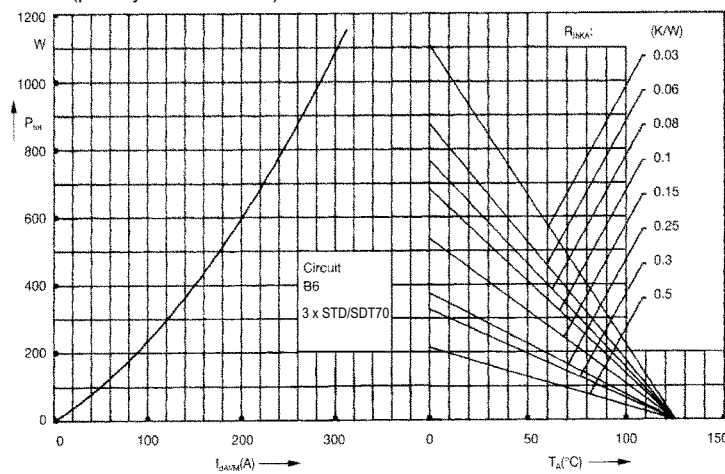


Fig. 5 Three phase rectifier bridge: Power dissipation versus direct output current and ambient temperature

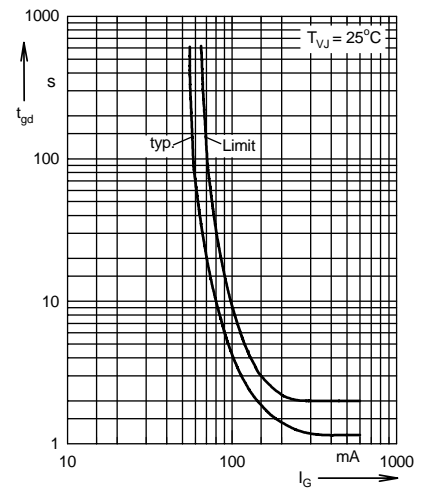


Fig. 6 Gate trigger delay time

STD/SDT70

Thyristor-Diode Modules, Diode-Thyristor Modules

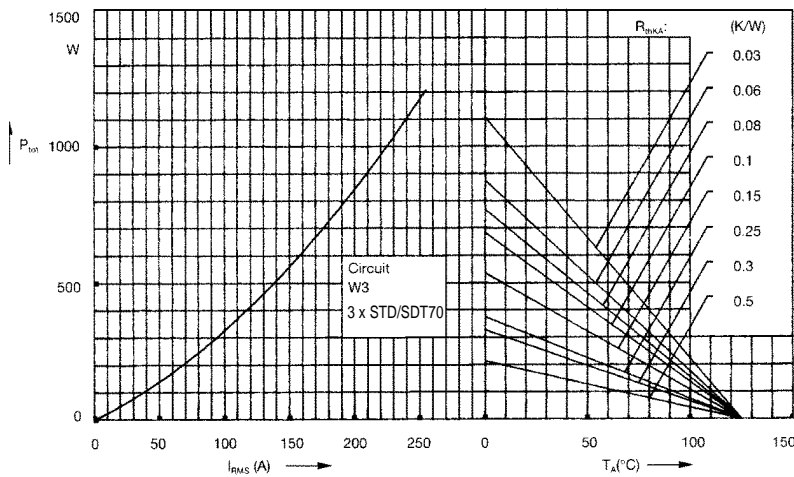


Fig. 7 Three phase AC-controller:
Power dissipation versus RMS
output current and ambient
temperature

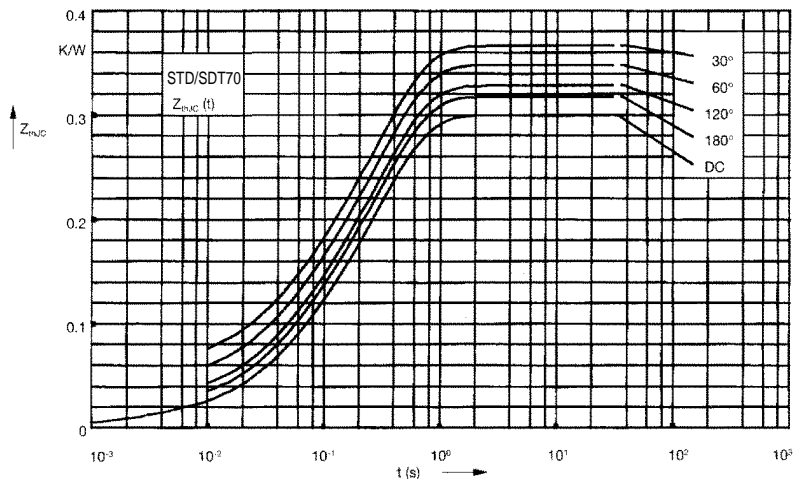


Fig. 8 Transient thermal impedance
junction to case (per thyristor or
diode)

R_{thJC} for various conduction angles d:

d	R_{thJC} (K/W)
DC	0.3
180°C	0.31
120°C	0.33
60°C	0.35
30°C	0.37

Constants for Z_{thJC} calculation:

i	R_{thi} (K/W)	t_i (s)
1	0.008	0.0019
2	0.054	0.047
3	0.238	0.3

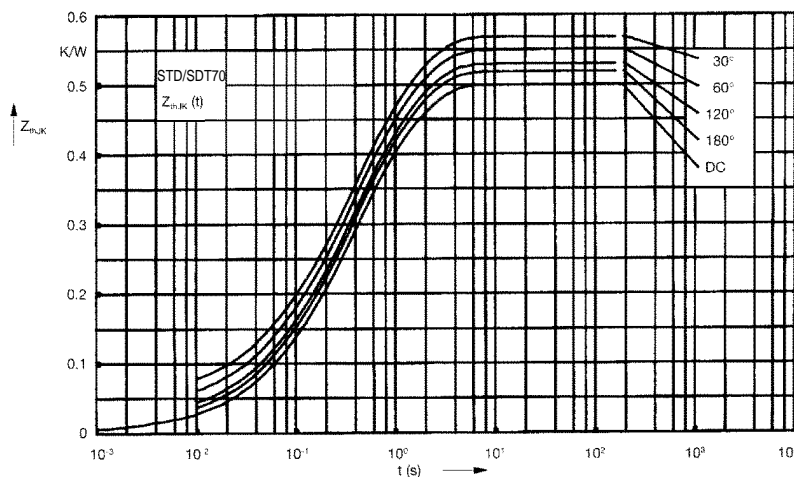


Fig. 9 Transient thermal impedance
junction to heatsink (per thyristor
or diode)

R_{thJK} for various conduction angles d:

d	R_{thJK} (K/W)
DC	0.5
180°C	0.51
120°C	0.53
60°C	0.55
30°C	0.57

Constants for Z_{thJK} calculation:

i	R_{thi} (K/W)	t_i (s)
1	0.008	0.0019
2	0.054	0.047
3	0.238	0.3
4	0.2	1.25