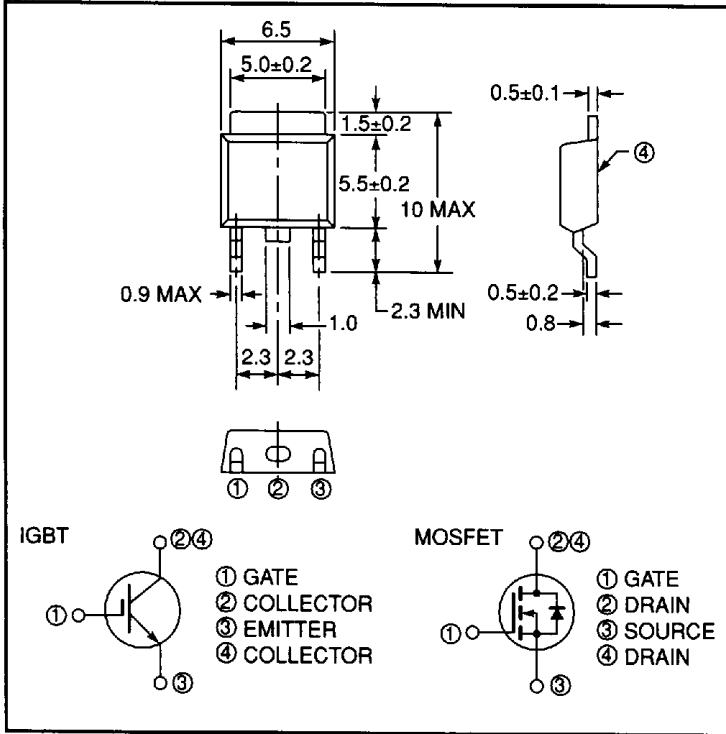


Discrete MOSFET - High Voltage (continued)
FS-IV Series MOSFETs (900V)

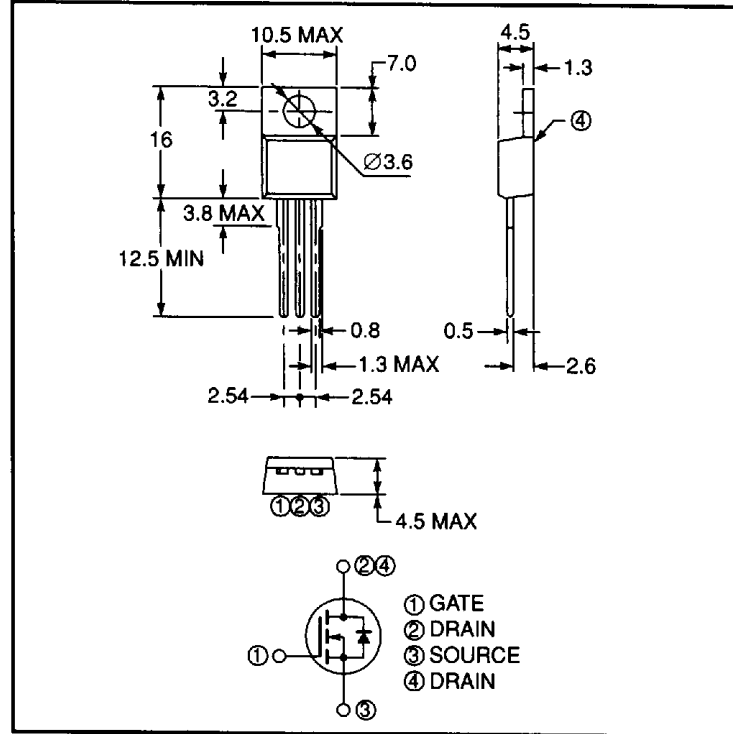
Device Number	Maximum Ratings, $T_c = 25^\circ\text{C}$					Electrical Characteristics				Package	
	V_{DSS} (V)	I_D (A)	P_D (W)	$R_{th(ch-c)}$ ($^\circ\text{C/W}$)	V_{GSS} (V)	$r_{DS(on)}$ (Ω)		$V_{GS(th)}$ (V)	C_{iss} (pF)	Outline	Page
						Typ.	Max.				
FS1AS-18A	900	1	55	2.27	± 30	11.5	15.0	3	270	MP-3	31
FS1UM-18A	900	1	65	1.92	± 30	11.5	15.0	3	270	TO-220	31
FS1VS-18A	900	1	65	1.92	± 30	11.5	15.0	3	270	TO-220S	31
FS1KM-18A	900	1	25	5.0	± 30	11.5	15.0	3	270	TO-220FN	31
FS2UM-18A	900	2	85	1.47	± 30	5.62	7.30	3	460	TO-220	31
FS2VS-18A	900	2	85	1.47	± 30	5.62	7.30	3	460	TO-220S	31
FS2KM-18A	900	2	30	4.17	± 30	5.62	7.30	3	460	TO-220FN	31
FS3UM-18A	900	3	100	1.25	± 30	3.08	4.00	3	770	TO-220	31
FS3VS-18A	900	3	100	1.25	± 30	3.08	4.00	3	770	TO-220S	31
FS3KM-18A	900	3	30	4.17	± 30	3.08	4.00	3	770	TO-220FN	31
FS3SM-18A	900	3	100	1.25	± 30	3.08	4.00	3	770	TO-3P	32
FS5UM-18A	900	5	125	1.00	± 30	2.15	2.80	3	1050	TO-220	31
FS5VS-18A	900	5	125	1.00	± 30	2.15	2.80	3	1050	TO-220S	31
FS5KM-18A	900	5	30	4.17	± 30	2.15	2.80	3	1050	TO-220FN	31
FS5SM-18A	900	5	125	1.00	± 30	2.15	2.80	3	1050	TO-3P	32
FS7UM-18A	900	7	150	0.83	± 30	1.54	2.00	3	1380	TO-220	31
FS7VS-18A	900	7	150	0.83	± 30	1.54	2.00	3	1380	TO-220S	31
FS7KM-18A	900	7	40	3.13	± 30	1.54	2.00	3	1380	TO-220FN	31
FS7SM-18A	900	7	150	0.83	± 30	1.54	2.00	3	1380	TO-3P	32
FS10SM-18A	900	10	200	0.625	± 30	0.93	1.20	3	2250	TO-3P	32
FS10RM-18A	900	10	70	1.78	± 30	0.93	1.20	3	2250	TO-3PF	33
FS14SM-18A	900	14	275	0.45	± 30	0.63	0.85	3	2900	TO-3P	32

MP-3



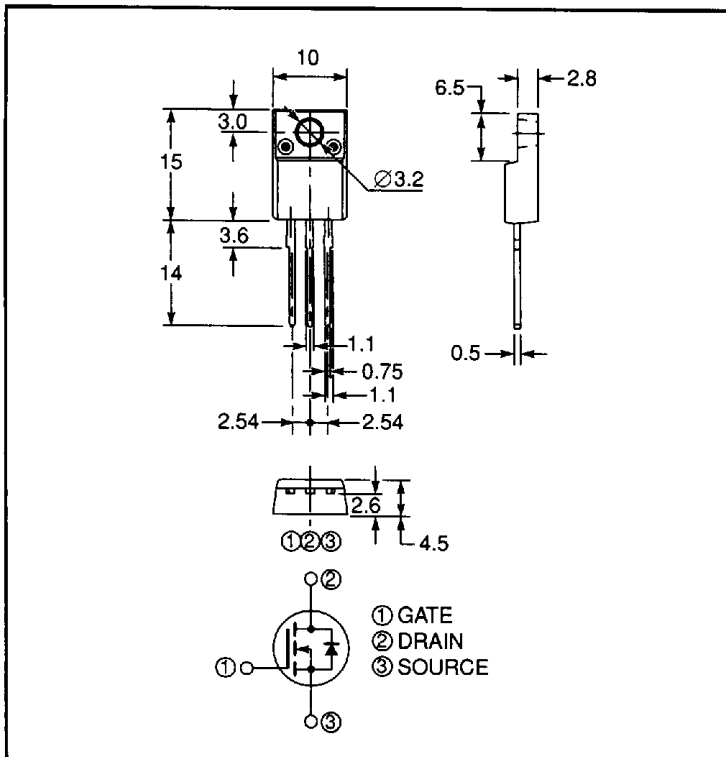
IGBT CT**AS-8
MOSFET FS**AS-8

TO-220



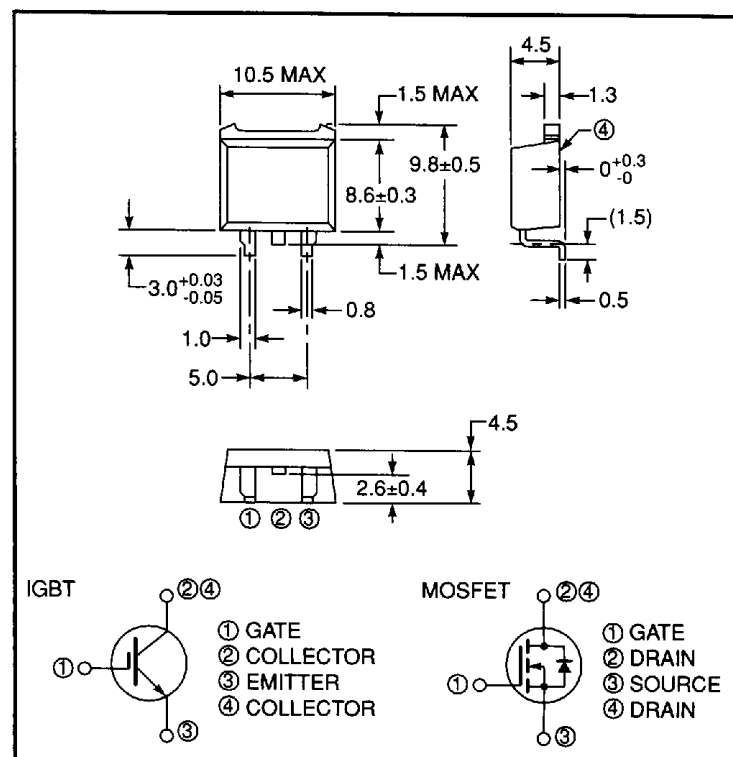
MOSFET FK**UM-**, FS**UM-**

TO-220FN



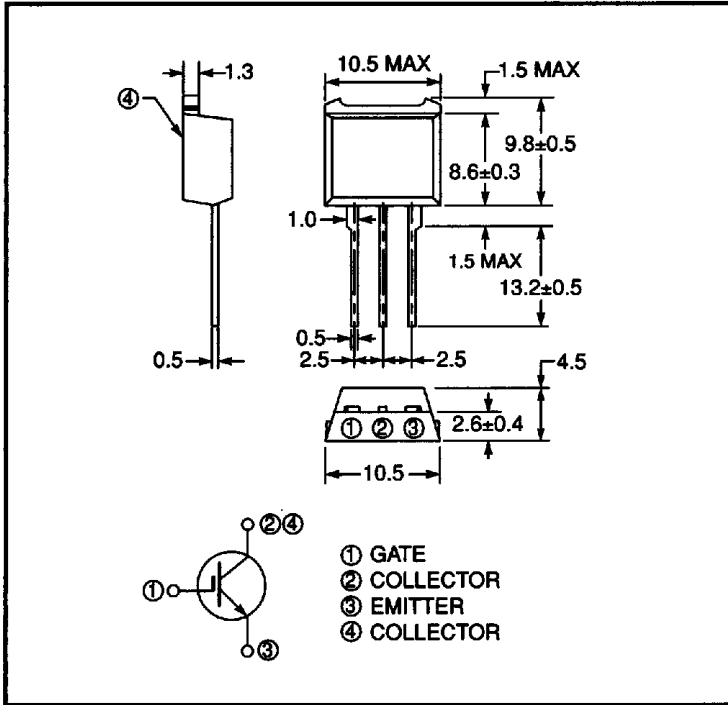
MOSFET FK**KM-**, FS**KM-**

TO-220S



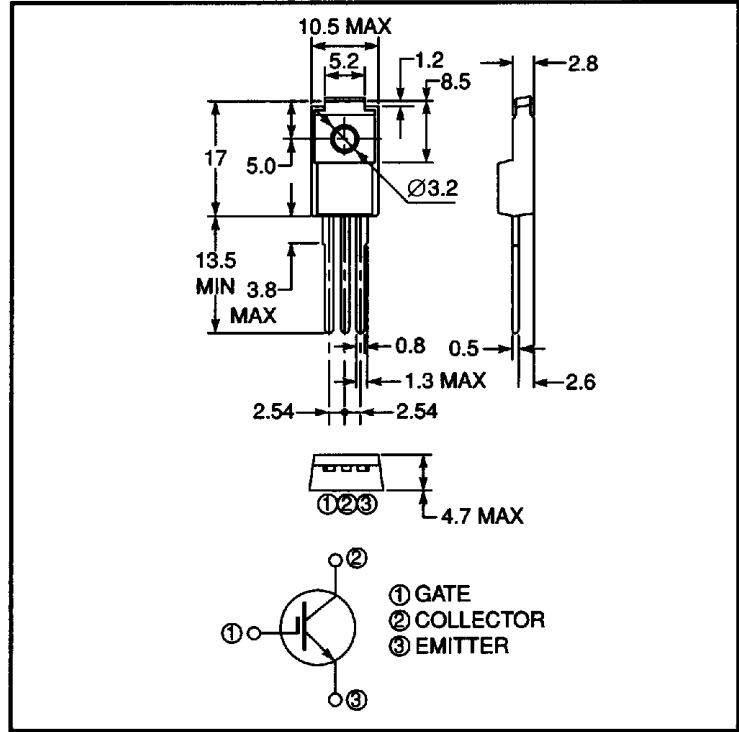
IGBT CT**VS-8
MOSFET FK**VS-**, FS**VS-**

TO-220C



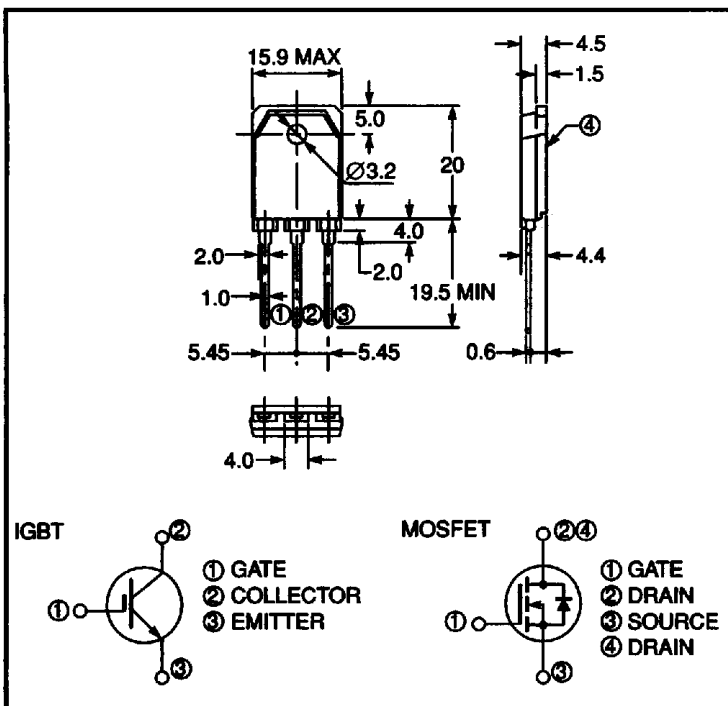
IGBT CT**VM-8

TO-220F



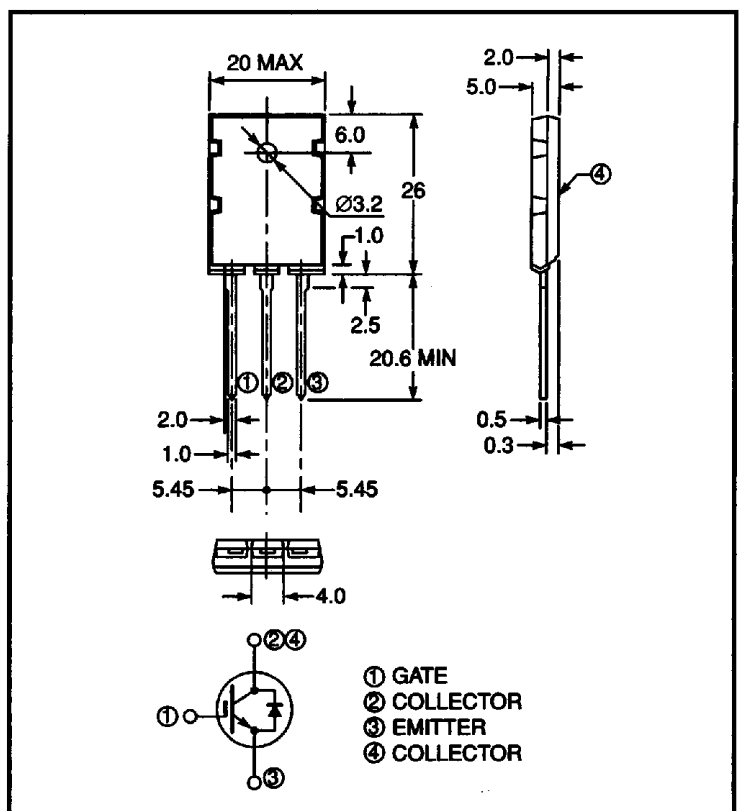
IGBT CT**TM-**

TO-3P



IGBT CT**SM-8
MOSFET FK**SM-**, FS**SM-**

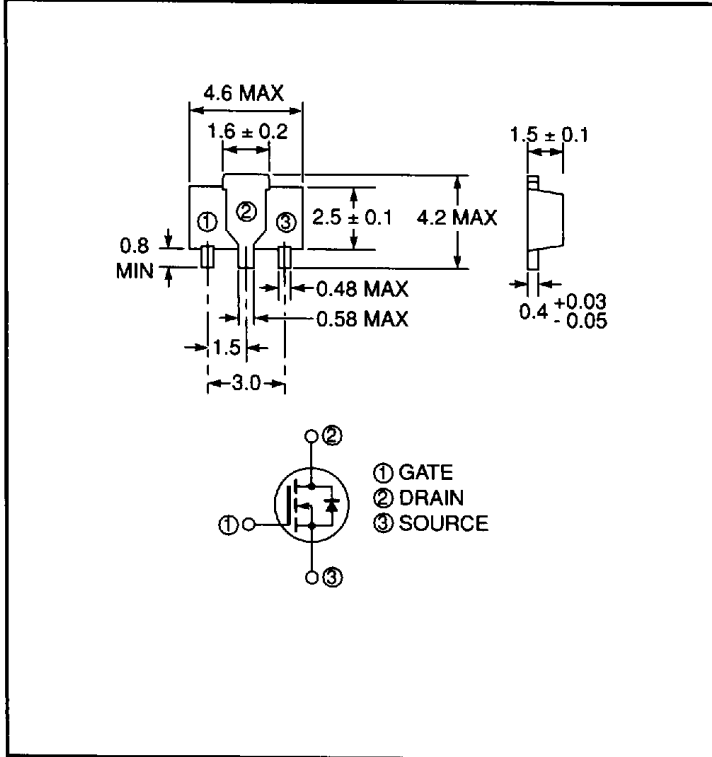
TO-3PL



IGBT CT**AM-**

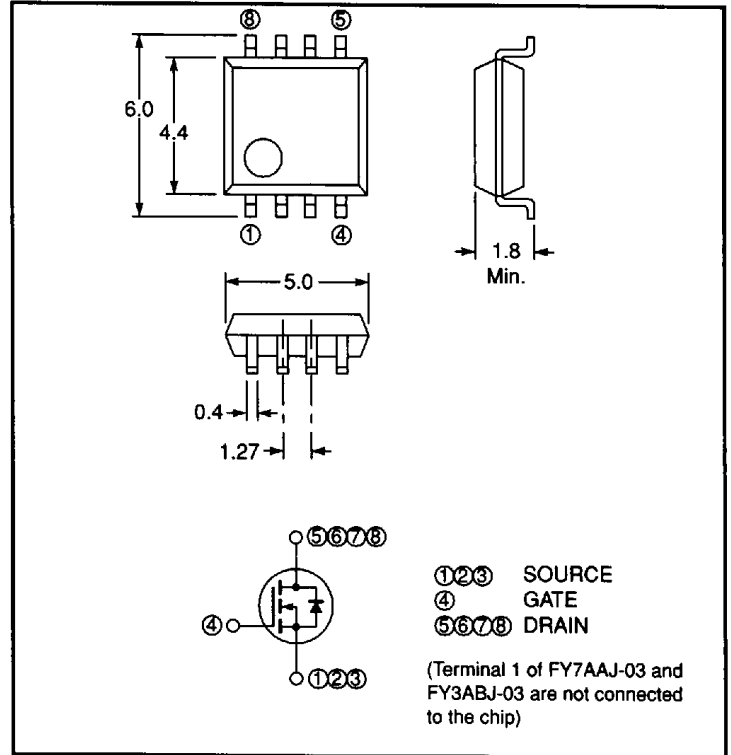
Device Outline Drawings

SOT-89



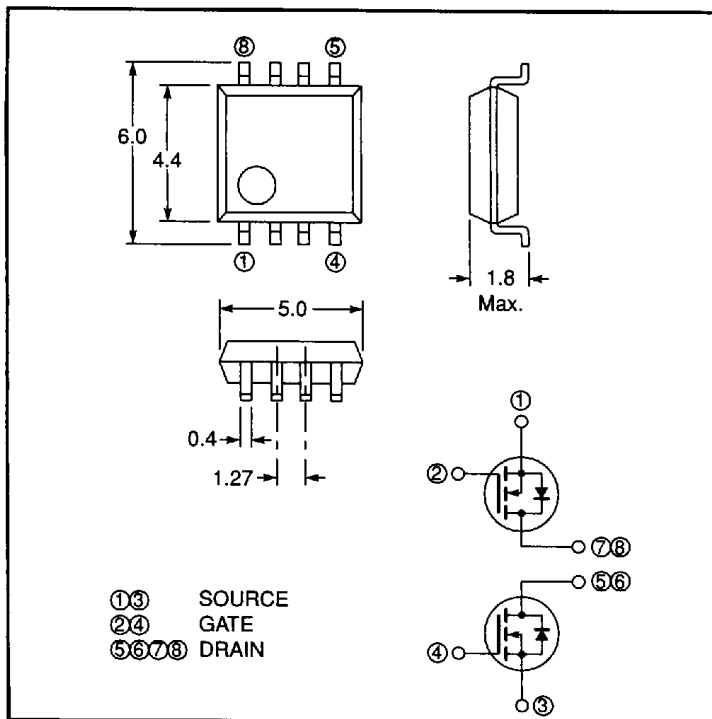
MOSFET FS**, FX**

SOP-8 (Single)



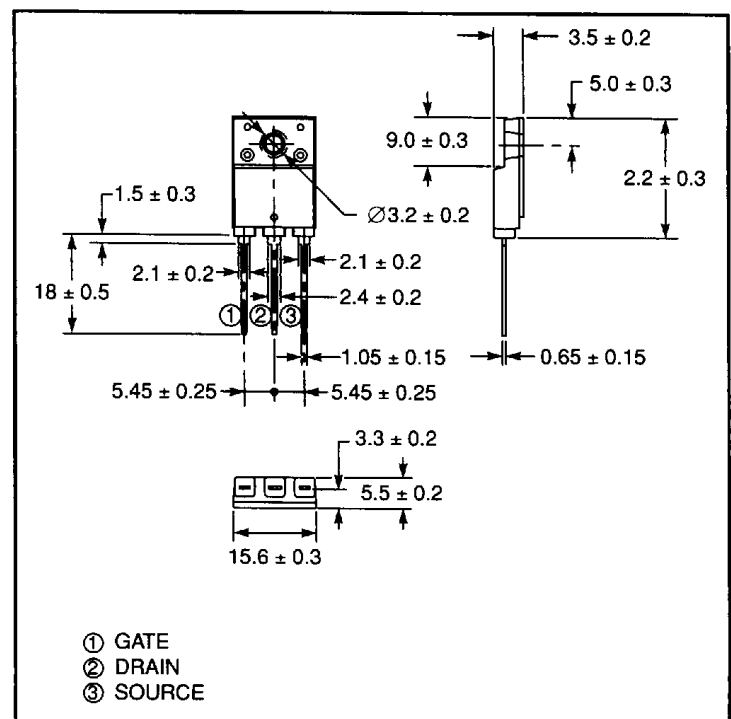
MOSFET FY**

SOP-8 (Dual)



MOSFET FY**

TO-3PF



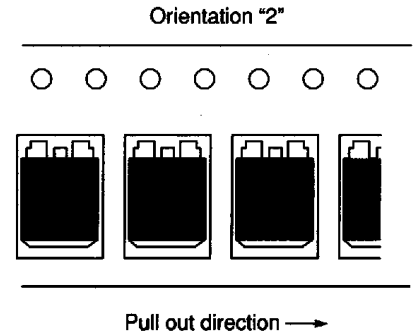
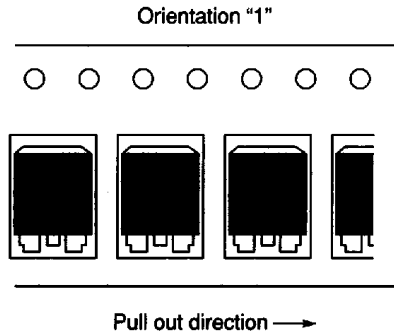
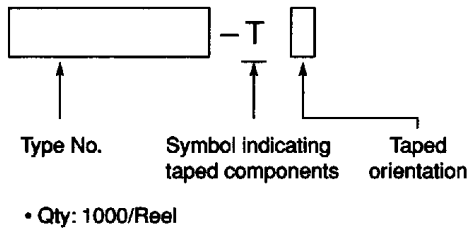
MOSFET FS**RM**

MOSFET Packing Quantities and Types

Package	Outline Code	Packing	Minimum Quantity per Package
TO-220	UM	Bag	100
TO-220FN	KM	Tube	50
TO-220S	VS	Bag	100
TO-220S	VS	Reel	1000
TO-3P	SM	Bag	20
MP-3	AS	Bag	500
MP-3	AS	Reel	3000
SOP-8	FY	Reel	3000

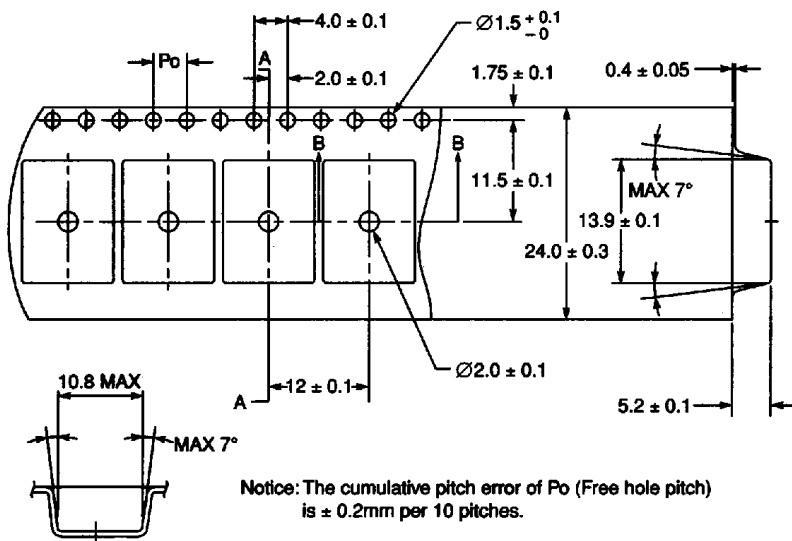
TO-220S Taping

(a) Marking

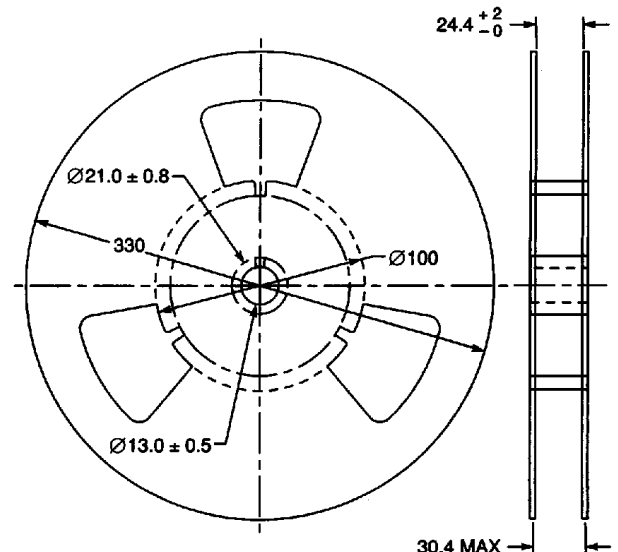


(b) Taping

• Tape Shape and Dimensions

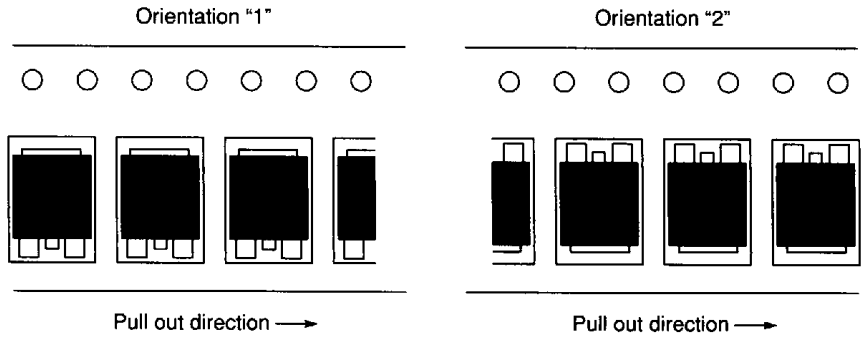
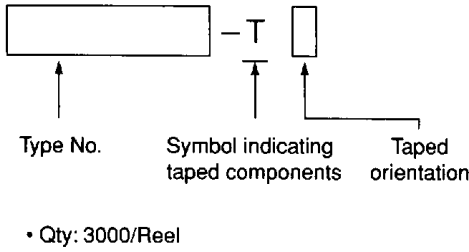


• Reel Shape and Dimensions



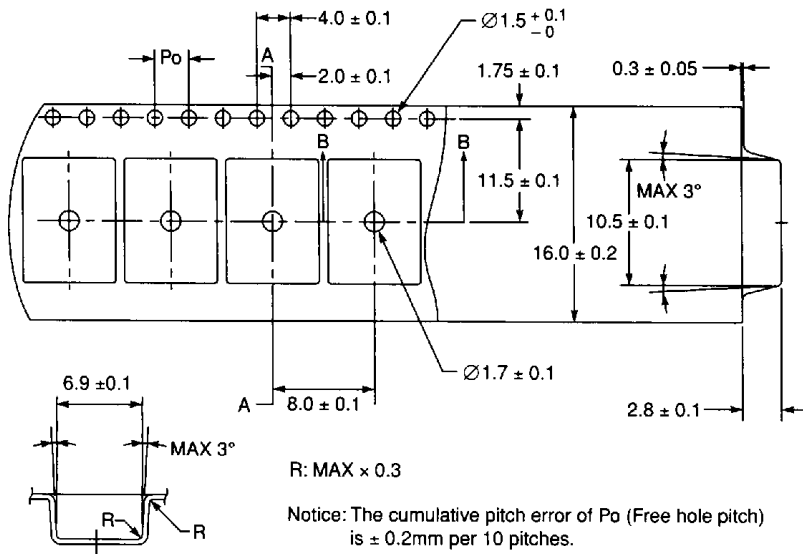
MP-3 Taping

(a) Marking

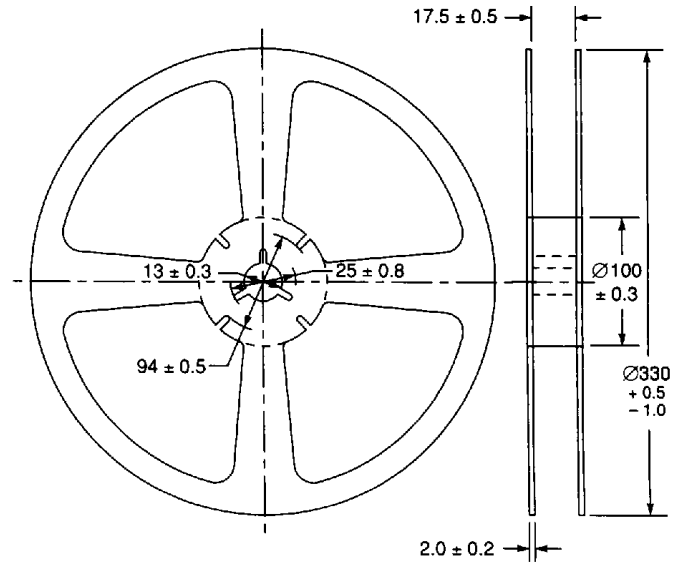


(b) Taping

• Tape Shape and Dimensions

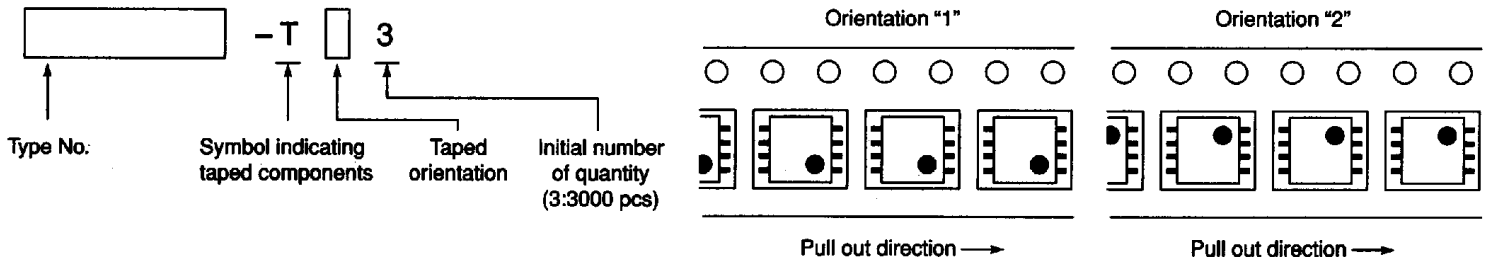


• Reel Shape and Dimensions



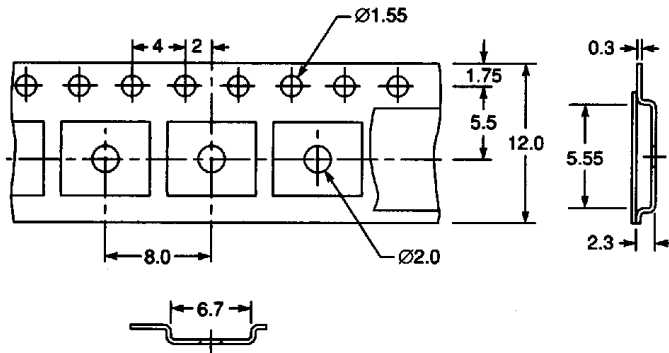
SOP-8 Taping

(a) Marking

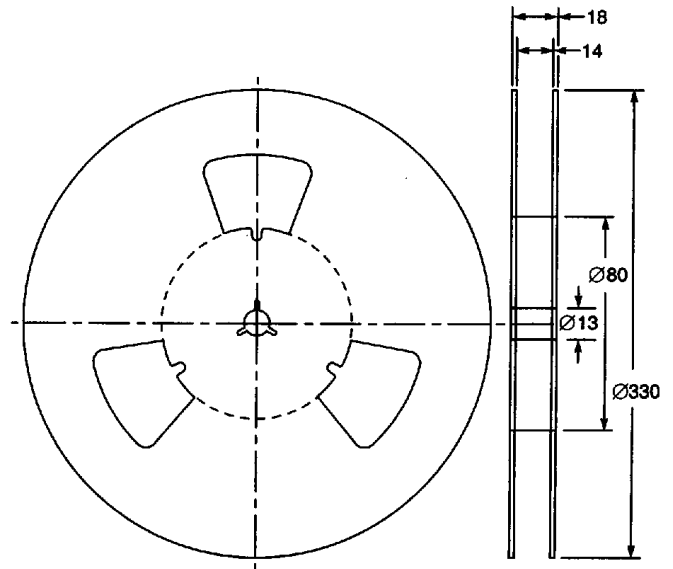


(b) Taping

- Tape Shape and Dimensions

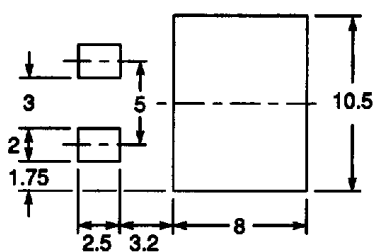


- Reel Shape and Dimensions

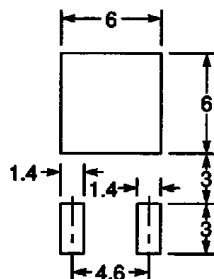


Recommended Mounting Pad

TO-220S Package



MP-3 Package



SOP-8 Package

