

Silicon NPN Power Transistors

BU2722AF

DESCRIPTION

www.datasheet4u.com

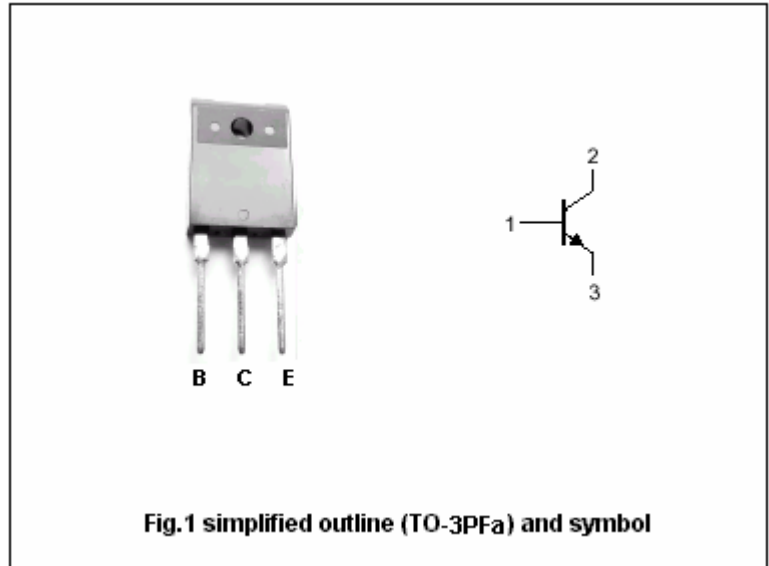
- With TO-3PFa package
- High voltage
- High speed switching

APPLICATIONS

- For use in horizontal deflection circuits of high resolution monitors

PINNING

PIN	DESCRIPTION
1	Base
2	Collector
3	Emitter

Absolute maximum ratings($T_a=25^\circ\text{C}$)

SYMBOL	PARAMETER	CONDITIONS	VALUE	UNIT
V_{CBO}	Collector-base voltage	Open emitter	1700	V
V_{CEO}	Collector-emitter voltage	Open base	825	V
V_{EBO}	Emitter-base voltage	Open collector	7.5	V
I_C	Collector current (DC)		10	A
I_{CM}	Collector current-peak		25	A
I_B	Base current (DC)		10	A
I_{BM}	Base current-peak		14	A
P_T	Total power dissipation	$T_C=25^\circ\text{C}$	45	W
T_j	Junction temperature		150	$^\circ\text{C}$
T_{stg}	Storage temperature		-65~150	$^\circ\text{C}$

Silicon NPN Power Transistors

BU2722AF

CHARACTERISTICS

T_j=25°C unless otherwise specified

www.datasheet4u.com

SYMBOL	PARAMETER	CONDITIONS	MIN	TYP.	MAX	UNIT
V _{CEO(SUS)}	Collector-emitter sustaining voltage	I _C =100mA ; I _B =0, L=25mH	825			V
V _{(BR)EBO}	Emitter-base breakdown voltage	I _E =1mA ; I _C =0	7.5	13.5		V
V _{CEsat}	Collector-emitter saturation voltage	I _C =4.5A ; I _B =1.0A			1.0	V
V _{BEsat}	Base-emitter saturation voltage	I _C =4.5A ; I _B =1.0A			1.0	V
I _{CES}	Collector cut-off current	V _{CE} =BV _{CES} ; V _{BE} =0 T _j =125°C			1.0 2.0	mA
I _{EBO}	Emitter cut-off current	V _{EB} =7.5V; I _C =0			1.0	mA
h _{FE-1}	DC current gain	I _C =0.1A ; V _{CE} =5V		22		
h _{FE-2}	DC current gain	I _C =4.5A ; V _{CE} =1V	4.5		10	

Silicon NPN Power Transistors

BU2722AF

PACKAGE OUTLINE

www.datasheet4u.com

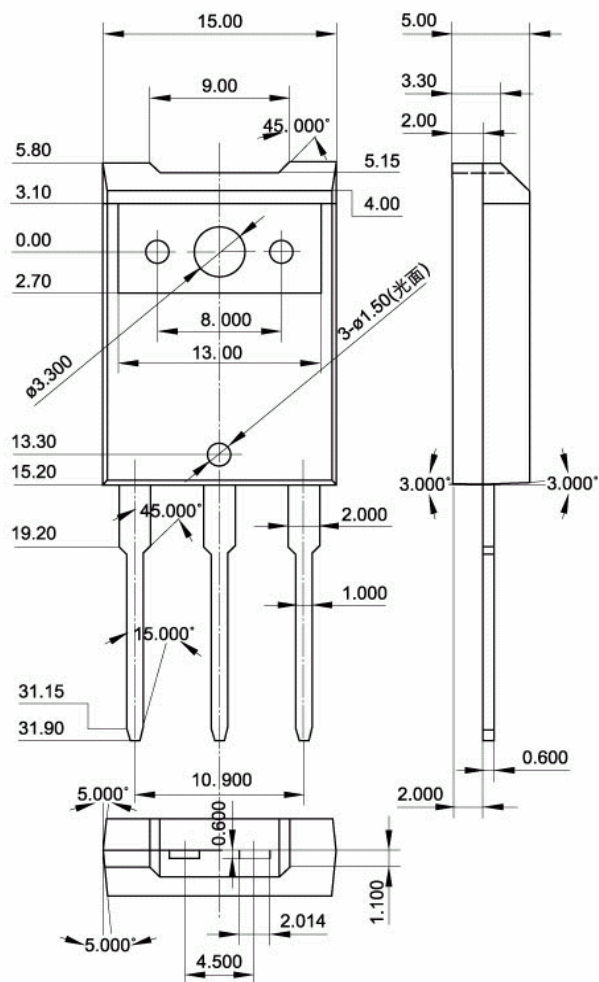


Fig.2 Outline dimensions (unindicated tolerance:±0.30mm)