



Specifications and Applications Information

04/11/07

Preliminary

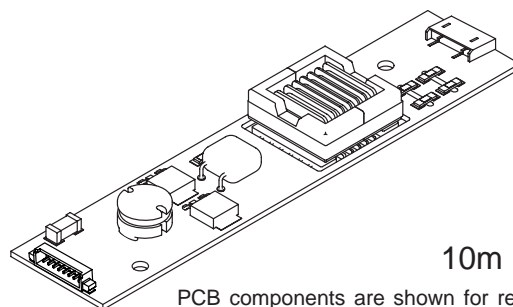
10m Class DC to AC Inverter

The ERG 10m123618F (10m Class) low profile dc to ac inverter is specifically designed to power the following display module(s) to a moderate brightness level from a +12 volt dc power supply:

- Hitachi TX18D16VM1CAB/CAA

This low profile inverter features:

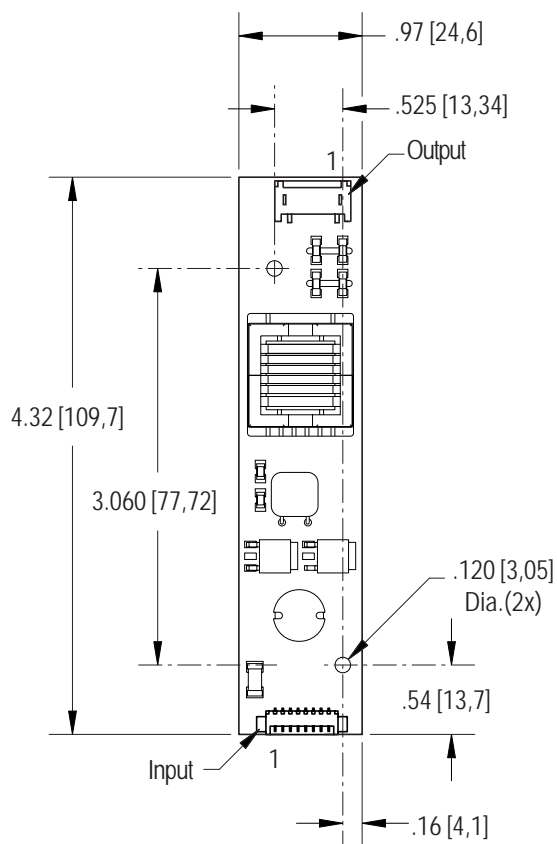
- ✓ Less Than 10 mm in Height
- ✓ LCD Module Specific
- ✓ Display Compatible Output Connector
- ✓ Firm Specifications
- ✓ Application Information
- ✓ Designed, Manufactured and Supported in the USA
- ✓ Custom Input and Output Voltages
- ✓ Flexible System Interface



10m Package

PCB components are shown for reference only. Actual product may differ from that shown.

Package Configuration



PCB components are shown for reference only. Actual product may differ from that shown.



Mass: 22 grams

Connectors	
Input Connector Molex 53261-0871	Output Connector JST SM02(8.0)B-BHS-1-TB
J1-1,2 Vin(+) J1-3,4 GND J1-5 Enable J1-6,7,8 N/C	J2-1 ACout J2-2 ACreturn

Absolute Maximum Ratings

Rating	Symbol	Value	Units
Input Voltage Range	V _{in}	-0.3 to +13.2	Vdc
Storage Temperature	T _{stg}	-40 to +85	°C

Operating Characteristics

With the referenced display and lamp warm-up of 5 minutes.
Unless otherwise noted V_{in} = 12.00 Volts dc and T_a = 25°C

Characteristic	Symbol	Min	Typ	Max	Units
Input Voltage	V _{in}	+10.8	+12.0	+12.6	Vdc
Component Surface Temperature <small>(note 2)</small>	T _s	-20	-	+80	°C
Input Current <small>(note 1)</small>	I _{in}	-	0.28	0.32	Adc
Operating Frequency	F _o	26	31	36	kHz
Minimum Output Voltage <small>(note 3)</small>	V _{out} (min)	2300	-	-	Vrms
Efficiency	η	-	90	-	%
Output Current (per lamp)	I _{out}	-	3.0	-	mArms
Output Voltage	V _{out}	-	1000	-	Vrms
Enable Pin Input Current Requirement <small>(note 4)</small>	I _{in}	-	5.4	-	mAdc
Enable Pin Input Voltage Requirement <small>(note 4)</small>	V _{en}	Off 0 or Floating	On 12	On 13.2	Vdc

Specifications subject to change without notice.

(Note 1) Input current in excess of maximum may indicate a load/inverter mismatch condition, which can result in reduced reliability. Please contact ERG technical support.

(Note 2) Surface temperature must not exceed 80 degrees C; thermal management actions may be required.

(Note 3) Provided data is not tested but guaranteed by design.

(Note 4) Required User Enable/Disable Interface Circuit is shown on page 3.

Application Notes:

- 1) The minimum distance from high voltage areas of the inverter to any conductive material should be .12 inches per kilovolt of starting voltage.
- 2) Mounting hardware to be non-conductive.
- 3) Open framed inverters should not be used in applications at altitudes over 10,000 feet.
- 4) Contact ERG for possible exceptions.



Endicott Research Group, Inc.

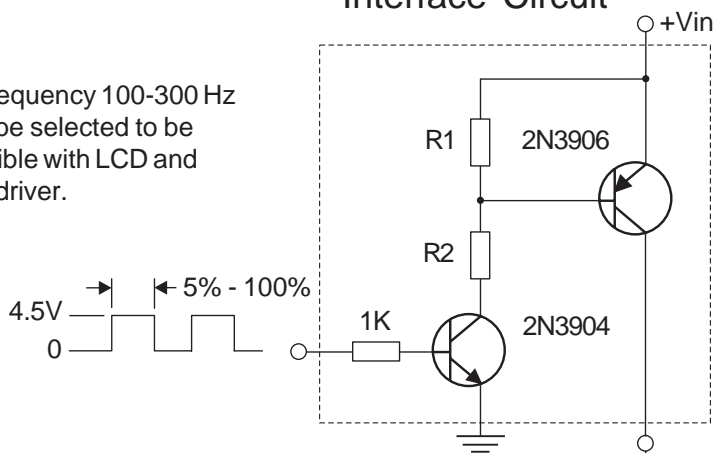
2601 Wayne St., Endicott, NY 13760
607-754-9187 Fax 607-754-9255
<http://www.ergpower.com>

Made in USA

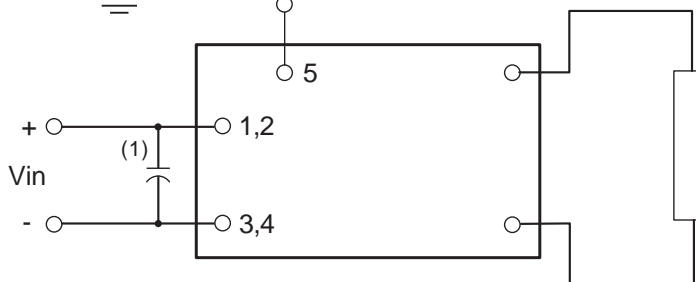
PWM Dimming

Required User Enable/Disable Interface Circuit

PWM frequency 100-300 Hz should be selected to be compatible with LCD and display driver.



Vin	R1	R2
5V	3.3K	1.5K
8V	3.3K	1.8K
12V	3.3K	2.2K
24V	10.0K	8.2K



(1) Low ESR type input by-pass capacitor (22 uf - 100 uf) may be required to reduce reflected ripple.



Endicott Research Group, Inc. (ERG) reserves the right to make changes in circuit design and/or specifications at any time without notice. Accordingly, the reader is cautioned to verify that data sheets are current before placing orders. Information furnished by ERG is believed to be accurate and reliable. However, no responsibility is assumed by ERG for its use.