

# 2.00 WATT MINI-SIP DC/DC CONVERTERS

## 500Vdc ISOLATION

### FEATURES

- ① 2 Watt Output
- ② Up to 80% Efficiency
- ③ Momentary Short Circuit Protection
- ④ 6-Pin SIP Package

### GENERAL SPECIFICATIONS

- Efficiency ..... 70% Typ.
- Switching Frequency ..... 50KHz min.
- Isolation Voltage ..... 500Vdc min.
- Operating Temperature ..... 0 to +70°C

### INPUT SPECIFICATIONS

- Voltage ..... Per Table Vdc
- Voltage Range ..... ±10%
- Input Filter ..... Cap

### OUTPUT SPECIFICATIONS

- Voltage ..... Per Table
- Voltage Accuracy ..... ±5%
- Ripple & Noise 20MHz BW ..... 150mV p-p
- Line Regulation..... 1.2%/1% of Vin
- Load Regulation ..... ±10%

### ELECTRICAL SPECIFICATIONS AT 25°C - OPERATING TEMPERATURE RANGE 0°C TO 70°C

PART NUMBER	INPUT VOLTAGE (Vdc)	OUTPUT VOLTAGE (Vdc)	OUTPUT CURRENT (mA max.)
S3AS051217	5	12	170
S3AD050520	5	+ 5	+200
S3AD051208	5	+ 12	+85
S3AD051506	5	+ 15	+65
S3AD120520	12	+ 5	+200
S3AS120540	12	5	400
S3AD121208	12	+ 12	+85
S3AD121506	12	+ 15	+65

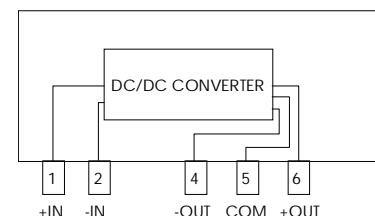
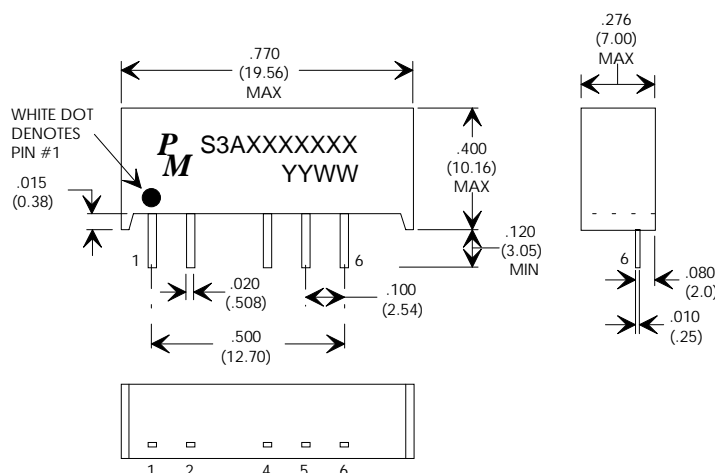
PART NUMBER	INPUT VOLTAGE (Vdc)	OUTPUT VOLTAGE (Vdc)	OUTPUT CURRENT (mA max.)
S3AD240520	24	+ 5	+200
S3AD241208	24	+ 12	+85
S3AD241506	24	+ 15	+65

### "S3" PACKAGE

### SCHEMATIC

### PHYSICAL DIMENSIONS .... DIMENSIONS IN mm (inches)

### SCHEMATIC DIAGRAM



PIN NUMBER	DUAL OUTPUT	SINGLE OUTPUT
1	+INPUT	+INPUT
2	-INPUT	-INPUT
3	OMITTED	OMITTED
4	-Vout	N.C.
5	0 Vout	-Vout
6	+Vout	+Vout

Specifications subject to change without notice.

s3\_2watt 10/97