

Type HV High Voltage Capacitors

Oil Filled/Impregnated, AC Rated, Metallized Polypropylene Capacitors



Type HV capacitors are constructed with low loss self healing metallized polypropylene film. Packaged in a cylindrical, oval and rectangular metal cases. Type HV capacitors are ideal for AC filtering, CVT filtering/snubbing, line current reduction and voltage regulation in power supply applications.

Highlights

- Self healing
- Protected
- Low energy consumption
- AC filtering
- Power supply filter/regulator
- CVT filter/snubber

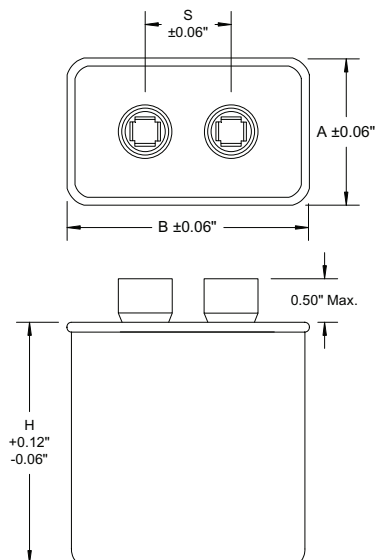
Specifications

Capacitance Range	0.5 μ F to 13 μ F
Capacitance Tolerance	\pm 5% standard, \pm 10%, \pm 6% and \pm 3% available
Rated Voltage	1000 Vac, 2000 Vac, 2500 Vac and 4000 Vac
Operating Temperature Range with Ripple	-40 $^{\circ}$ C to 70 $^{\circ}$ C
Rated Frequency	50 Hz and 60 Hz
Rated Current	15 A _{rms} , fundamental plus any harmonics
Life	60,000 h with 94% survival rate
RoHS Compliant	

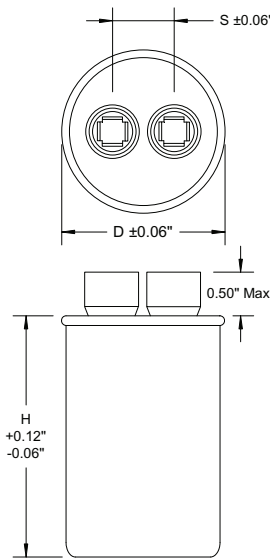
Dimensions

Construction Details	
Case Material	Tin Plated Steel or Aluminum
Encapsulation	Environmentally Safe Dielectric Fluid
Terminal Material	Tin Plated Steel

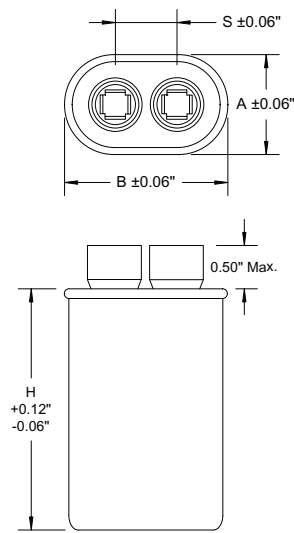
Rectangular Case Style



Round Case Style



Oval Case Style



Case Code	Dimensions (Inches)			H
	A	B	S	
A	1.31	2.16	0.81	See Ratings Table
C	1.91	2.91	0.81	
D	1.97	3.66	1.624	
R	2.84	4.56	1.624	

Case Code	Dimensions (inches)		H
	D	S	
P	1.87	0.81	See Ratings Table
T	2.62	0.81	

Type HV High Voltage Capacitors

Oil Filled/Impregnated, AC Rated, Metallized Polypropylene Capacitors

Part Numbering System

HV	C	KA	S	35	J	291	B
Series	Case	AC Volt	Case Material	Cap	Tol. ±%	Can Height	VAR
HV	A = 1 1/4" Oval C = 1 3/4" Oval D = 2.0" Oval P = 1 3/4" Round R = Rectangular T = 2 1/2" Round	KA = 1000 Vac LA = 2000 Vac LL = 2500 Vac MA = 3000 Vac NA = 4000 Vac	S = Steel T = Aluminum w/steel cover	7 = 7.0 μF 35 = 35.0 μF	J = ±5% L = ±3% H = ±6% K = ±10%	238 = 2.38" 291 = 2.91" 388 = 3.88" 475 = 4.75" 488 = 4.88"	B = 4 way 70 °C D = 4 way 90 °C Z = Other

Ratings

CDE Catalog Number	Cn (μF)	Case Code	Case Height	
			(in)	(mm)
1000 Vrms				
HVPKAS3J475B	3	P	4.75	121
HVPKAS5J475B	5	P	4.75	121
HVTKAS8J475B	8	T	4.75	121
HVTKAS10J475B	10	T	4.75	121
HVTKAS13J603B	13	T	6.03	153
HVAKAS3J288B	3	A	2.88	73
HVAKAS5J475B	5	A	4.75	121
HVCKAS8J291B	8	C	2.91	74
HVCKAS10J491B	10	C	4.91	125
HVDKAS13J491B	13	D	4.91	125
2000Vrms				
HVALAS1J475B	1	A	4.75	121
HVDLAS3J491B	3	D	4.91	125
HVDLAS5J578B	5	D	5.78	147
2500Vrms				
HVCLCS1J391B	1	C	3.91	99
HVCLCS2J491B	2	C	4.91	125
HVDLCS3J578B	3	D	5.78	147
3000Vrms				
HVCMAS1J391B	1	C	3.91	99
HVDMAS2J491B	2	D	4.91	125
HVDMAS3J753B	3	D	7.53	191
4000Vrms				
HVCNAS0.5J491B	0.5	C	4.91	125
HVDNAS1J578B	1	D	5.78	147
HVRNAS1.8J603B	1.8	R	6.03	153

Options

Tinplated steel or aluminum cans, with and without studs, are available upon request.

Additional tolerances such as ±3%, ±6% and ±10% are available.

+90 °C ratings are available

Discharge resistors are available.