

## Single Phase Bridge Rectifier

### Features

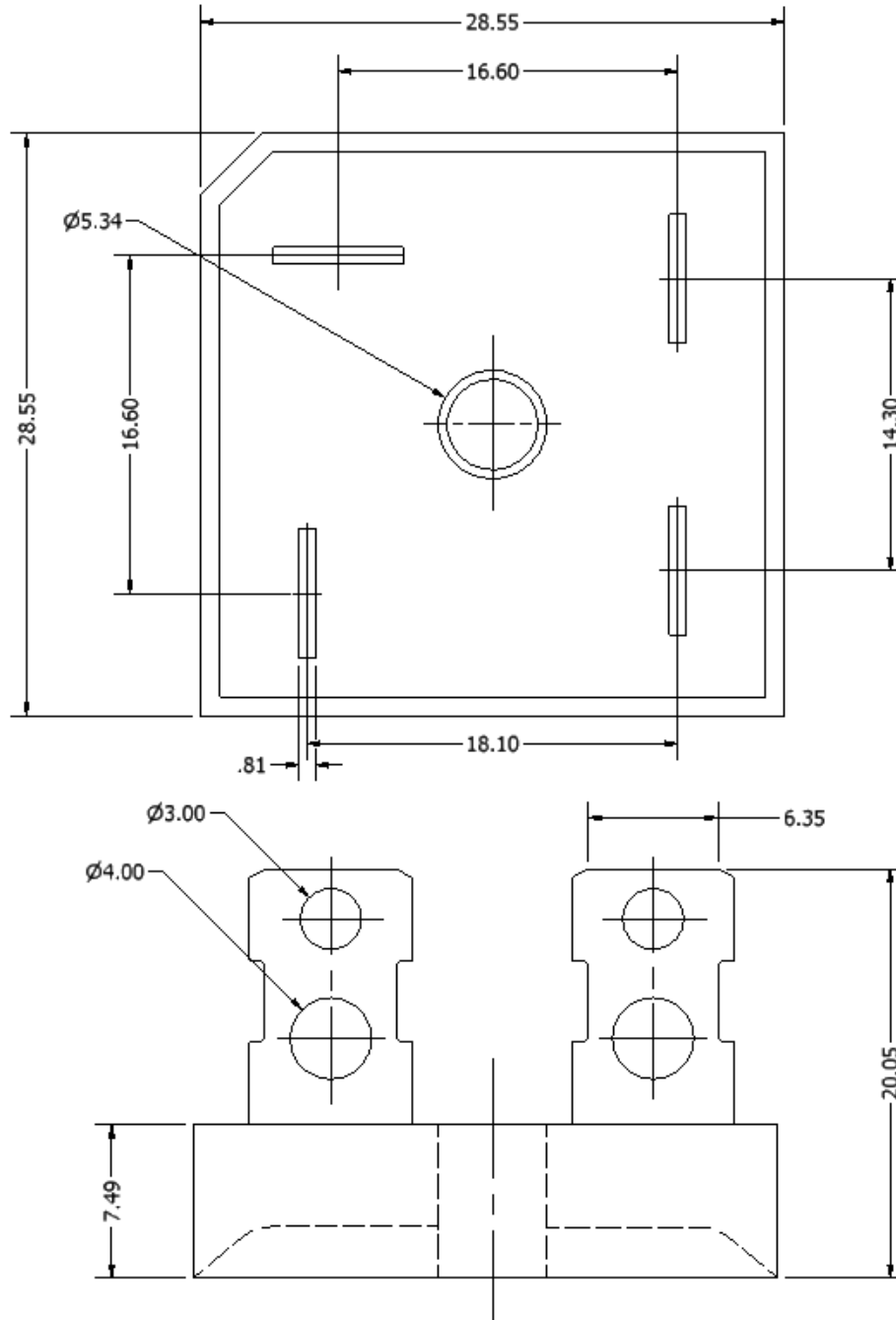
- Glass passivated chip junction
- Surge capability of 300 A
- High efficiency
- Electrically isolated metal case for maximum heat dissipation
- Mounting: thru hole for # 8 screw

Thermal and Mechanical Specifications ( $T_A = 25^{\circ}\text{C}$ unless otherwise noted)			
Parameters	Symbol	Values	Units
Maximum operating junction temperature range	$T_J$	- 55 to + 125	$^{\circ}\text{C}$
Maximum storage temperature range	$T_{Stg}$	- 55 to + 150	$^{\circ}\text{C}$
Approximate weight	$W_T$	30	g



GBPC

Voltage Ratings ( $T_A = 25^{\circ}\text{C}$ unless otherwise noted)										
Parameter	Symbol	15MB							Units	
Maximum repetitive peak reverse voltage	$V_{RRM}$	50	100	200	400	600	800	1000	V	
Maximum RMS voltage	$V_{RMS}$	35	70	140	280	420	560	700	V	
Maximum DC blocking voltage	$V_{DC}$	50	100	200	400	600	800	1000	V	
Maximum average forward output current	$I_{F(AV)}$	15.0							A	
Peak forward surge current (10ms) single half sine-wave superimposed on rated load	$I_{FSM}$	300							A	
Maximum DC forward voltage drop per element @ 7.5 A	$V_F$	1.2							V	
Maximum DC reverse current at rated DC blocking voltage per element	$T_A = 25^{\circ}\text{C}$	$I_R$	5.0							$\mu\text{A}$
	$T_A = 125^{\circ}\text{C}$		500							



ALL DIMENSIONS ARE IN MM