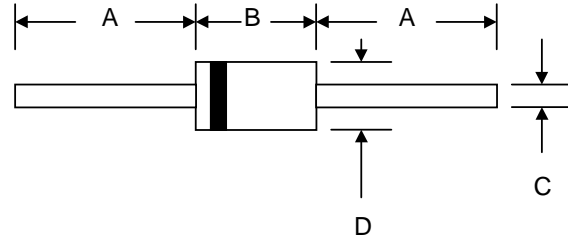


### Features

- Diffused Junction
- Low Forward Voltage Drop
- High Current Capability
- High Reliability
- High Surge Current Capability

### Mechanical Data

- Case: DO-41, Molded Plastic
- Terminals: Plated Leads Solderable per MIL-STD-202, Method 208
- Polarity: Cathode Band
- Weight: 0.34 grams (approx.)
- Mounting Position: Any
- Marking: Type Number
- **Lead Free: For RoHS / Lead Free Version, Add “-LF” Suffix to Part Number, See Page 4**



DO-41		
Dim	Min	Max
A	25.4	—
B	4.06	5.21
C	0.71	0.864
D	2.00	2.72
All Dimensions in mm		

### Maximum Ratings and Electrical Characteristics @<sub>T<sub>A</sub></sub>=25°C unless otherwise specified

Single Phase, half wave, 60Hz, resistive or inductive load.  
For capacitive load, derate current by 20%.

Characteristic	Symbol	HER 101	HER 102	HER 103	HER 104	HER 105	HER 106	HER 107	HER 108	Unit
Peak Repetitive Reverse Voltage Working Peak Reverse Voltage DC Blocking Voltage	V <sub>RRM</sub> V <sub>RWM</sub> V <sub>R</sub>	50	100	200	300	400	600	800	1000	V
RMS Reverse Voltage	V <sub>R(RMS)</sub>	35	70	140	210	280	420	560	700	V
Average Rectified Output Current (Note 1) @ <sub>T<sub>A</sub></sub> = 55°C	I <sub>O</sub>	1.0								A
Non-Repetitive Peak Forward Surge Current 8.3ms Single half sine-wave superimposed on rated load (JEDEC Method)	I <sub>FSM</sub>	30								A
Forward Voltage @ <sub>I<sub>F</sub></sub> = 1.0A	V <sub>FM</sub>	1.0			1.3		1.7			V
Peak Reverse Current @ <sub>T<sub>A</sub></sub> = 25°C At Rated DC Blocking Voltage @ <sub>T<sub>A</sub></sub> = 100°C	I <sub>RM</sub>	5.0				100				μA
Reverse Recovery Time (Note 2)	t <sub>rr</sub>	50				75				nS
Typical Junction Capacitance (Note 3)	C <sub>j</sub>	20				15				pF
Operating Temperature Range	T <sub>j</sub>	-65 to +125								°C
Storage Temperature Range	T <sub>STG</sub>	-65 to +150								°C

Note: 1. Leads maintained at ambient temperature at a distance of 9.5mm from the case  
2. Measured with I<sub>F</sub> = 0.5A, I<sub>R</sub> = 1.0A, I<sub>RR</sub> = 0.25A. See figure 5.  
3. Measured at 1.0 MHz and applied reverse voltage of 4.0V D.C.

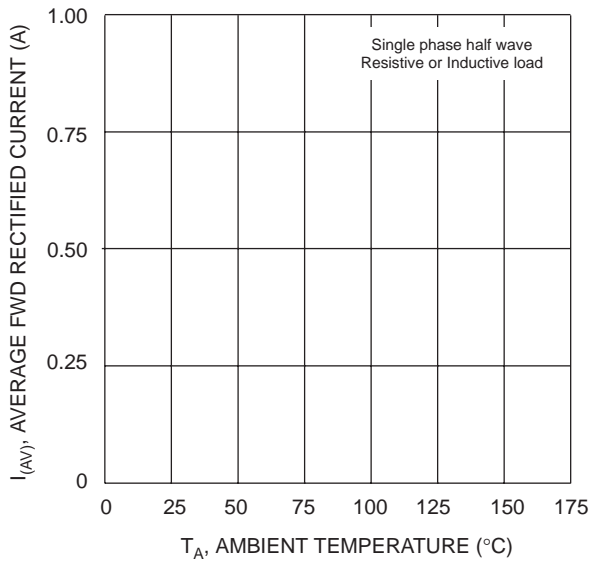


Fig. 1 Forward Current Derating Curve

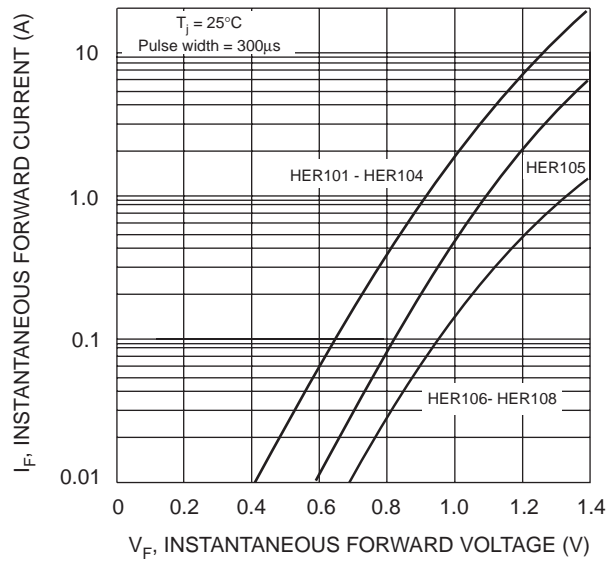


Fig. 2 Typical Forward Characteristics

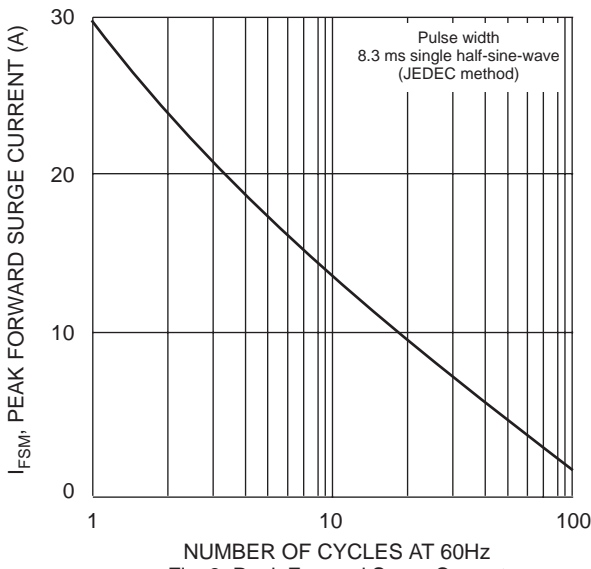


Fig. 3 Peak Forward Surge Current

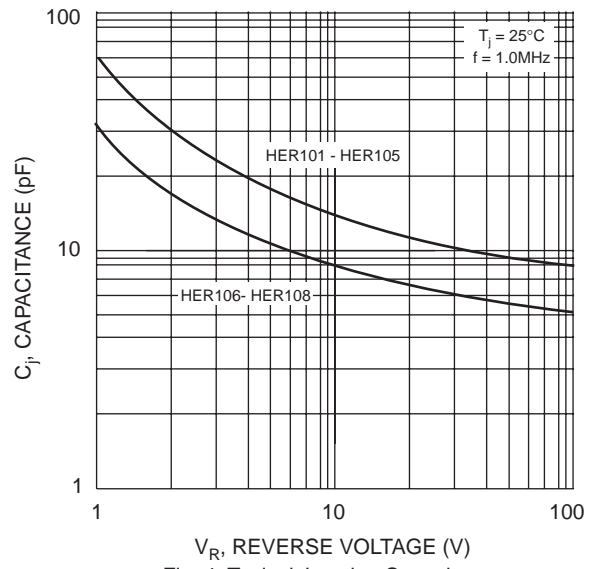
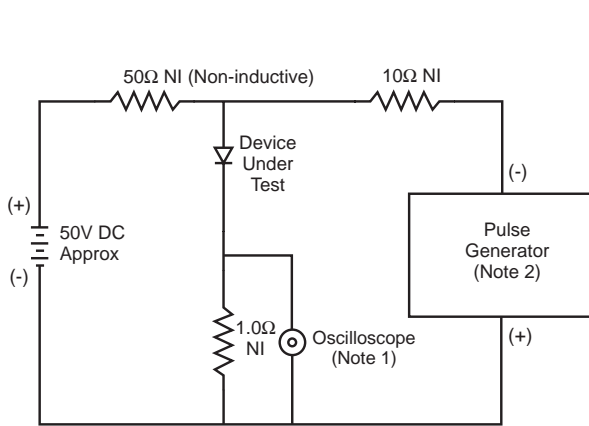


Fig. 4 Typical Junction Capacitance



- Notes:
1. Rise Time = 7.0ns max. Input Impedance = 1.0MΩ, 22pF.
  2. Rise Time = 10ns max. Input Impedance = 50Ω.

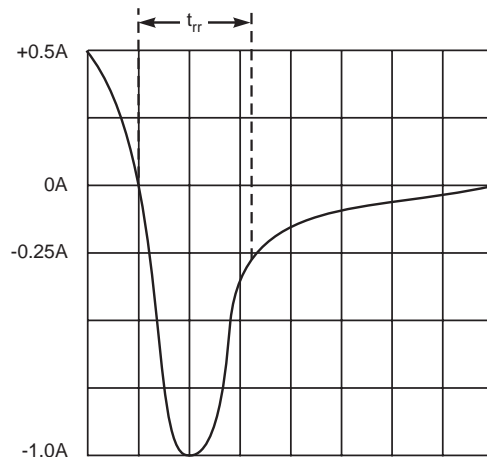
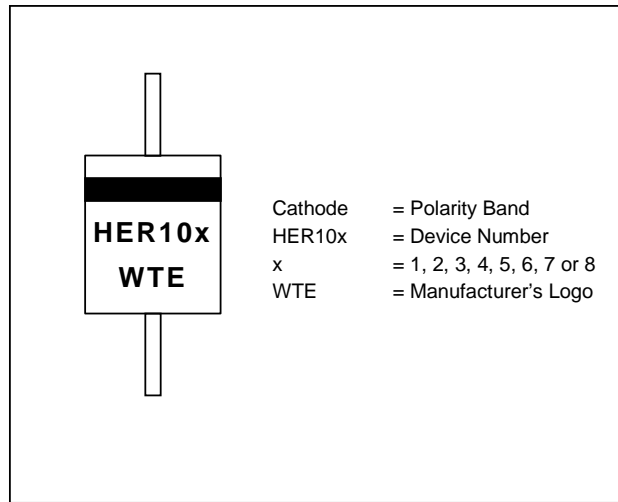
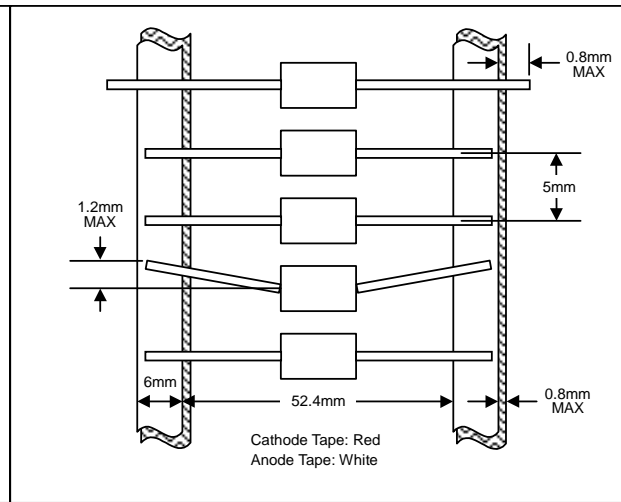


Fig. 5 Reverse Recovery Time Characteristic and Test Circuit

## MARKING INFORMATION



## TAPING SPECIFICATIONS



## PACKAGING INFORMATION

### TAPE & REEL

330mm  
 Product ID Label  
 80±5mm

### TAPE & BOX

150mm  
 Product ID Label  
 Inspection Hole (both ends)  
 255mm  
 75mm

### BULK

20mm  
 198mm  
 84mm

Packaging	Reel Diameter / Box Size (mm)	Quantity (PCS)	Carton Size (mm)	Quantity (PCS)	Approx. Gross Weight (KG)
<b>TAPE &amp; REEL</b>	330	5,000	370 x 370 x 420	25,000	13.0
<b>TAPE &amp; BOX</b>	255 x 75 x 150	5,000	400 x 273 x 415	50,000	21.0
<b>BULK</b>	198 x 84 x 20	1,000	459 x 214 x 256	50,000	19.5

**Note:** 1. Paper reel, white or gray color. Core material: plastic or metal.  
 2. Components are packed in accordance with EIA standard RS-296-E.

## ORDERING INFORMATION

Product No.	Package Type	Shipping Quantity
HER101-T3	DO-41	5000/Tape & Reel
<b>HER101-TB</b>	DO-41	5000/Tape & Box
HER101	DO-41	1000 Units/Box
HER102-T3	DO-41	5000/Tape & Reel
<b>HER102-TB</b>	DO-41	5000/Tape & Box
HER102	DO-41	1000 Units/Box
HER103-T3	DO-41	5000/Tape & Reel
<b>HER103-TB</b>	DO-41	5000/Tape & Box
HER103	DO-41	1000 Units/Box
HER104-T3	DO-41	5000/Tape & Reel
<b>HER104-TB</b>	DO-41	5000/Tape & Box
HER104	DO-41	1000 Units/Box
HER105-T3	DO-41	5000/Tape & Reel
<b>HER105-TB</b>	DO-41	5000/Tape & Box
HER105	DO-41	1000 Units/Box
HER106-T3	DO-41	5000/Tape & Reel
<b>HER106-TB</b>	DO-41	5000/Tape & Box
HER106	DO-41	1000 Units/Box
HER107-T3	DO-41	5000/Tape & Reel
<b>HER107-TB</b>	DO-41	5000/Tape & Box
HER107	DO-41	1000 Units/Box
HER108-T3	DO-41	5000/Tape & Reel
<b>HER108-TB</b>	DO-41	5000/Tape & Box
HER108	DO-41	1000 Units/Box

1. Products listed in **bold** are WTE **Preferred** devices.
2. Shipping quantity given is for minimum packing quantity only. For minimum order quantity, please consult the Sales Department.
3. **To order RoHS / Lead Free version (with Lead Free finish), add "-LF" suffix to part number above. For example, HER101-TB-LF.**

Won-Top Electronics Co., Ltd (WTE) has checked all information carefully and believes it to be correct and accurate. However, WTE cannot assume any responsibility for inaccuracies. Furthermore, this information does not give the purchaser of semiconductor devices any license under patent rights to manufacturer. WTE reserves the right to change any or all information herein without further notice.

**WARNING:** DO NOT USE IN LIFE SUPPORT EQUIPMENT. WTE power semiconductor products are not authorized for use as critical components in life support devices or systems without the express written approval.

**Won-Top Electronics Co., Ltd.**  
 No. 44 Yu Kang North 3rd Road, Chine Chen Dist., Kaohsiung, Taiwan  
**Phone:** 886-7-822-5408 or 886-7-822-5410  
**Fax:** 886-7-822-5417  
**Email:** sales@wontop.com  
**Internet:** http://www.wontop.com

*We power your everyday.*