

HE Series Filters

Triple channel HDTV antialiasing filters

The HE range of low cost HDTV filters with three independent channels each give near SMPTE 274M performance suitable for single pass or monitor applications.

- Three independent channels
- Small size
- Reconstruction delay included
- Low cost HDTV antialiasing
- Integer clock delays between channels
- 40 dB channel isolation

<i>Channel Description</i>	Y, R, G, B	U, V
<i>Filter Shape</i>	Lowpass	Lowpass
<i>Sampling Frequency</i>	74.25 MHz	37.125 MHz
<i>Insertion Loss at 100 kHz</i>	< 1.0 dB	< 1.0 dB
<i>End Of Passband</i>	30 MHz	15 MHz
<i>Passband Amplitude Ripple wrt 100 kHz</i>	< ± 0.2 dB	< ± 0.2 dB
<i>Loss wrt 100 kHz @ ½ S.F.¹</i>	12 dB ± 2 dB	12 dB ± 2 dB
<i>Start Of Stopband</i>	44.25 MHz	22.125 MHz
<i>Stopband Attenuation wrt Passband Edge</i>	> 38 dB	> 38 dB
<i>Stopband Measured To</i>	100 MHz	50 MHz
<i>Group Delay Ripple</i>	< 6 ns	< 12 ns
<i>Group Delay Bandwidth</i>	27 MHz	13.5 MHz
<i>Impedance</i>	75 ohms	75 ohms
<i>Temperature Range</i>	0 to 70 °C	0 to 70 °C
<i>Aqueous Washable</i>	No	No
<i>Package</i>	DR00301A	DR00301A

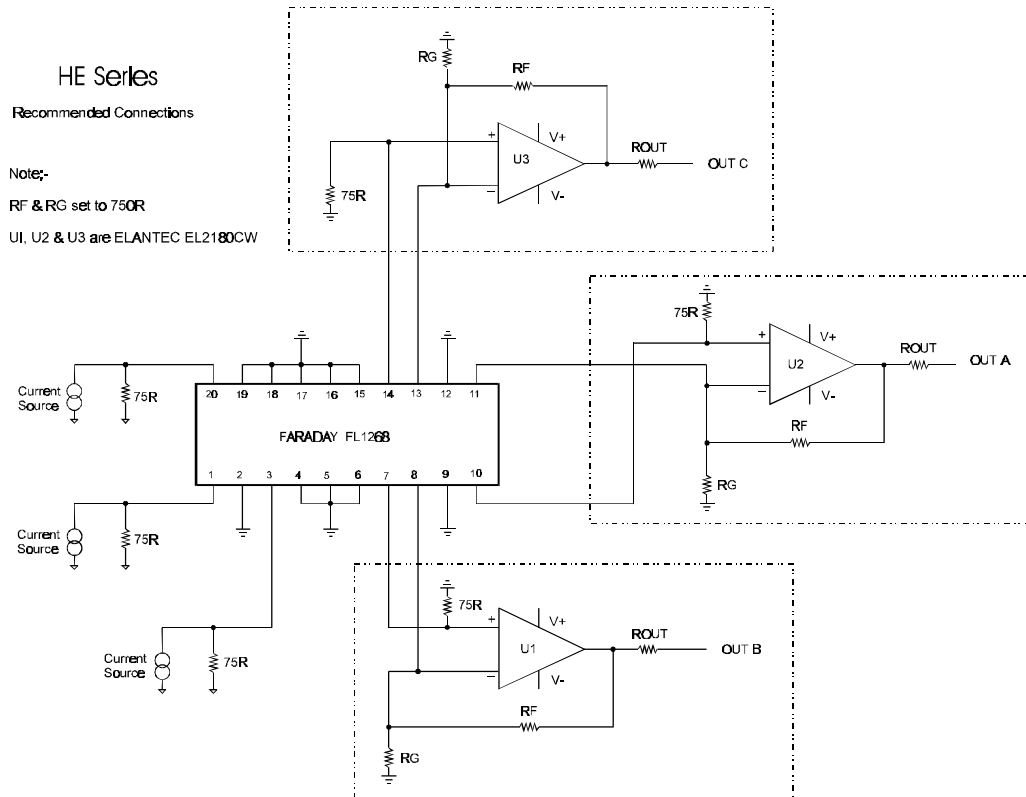
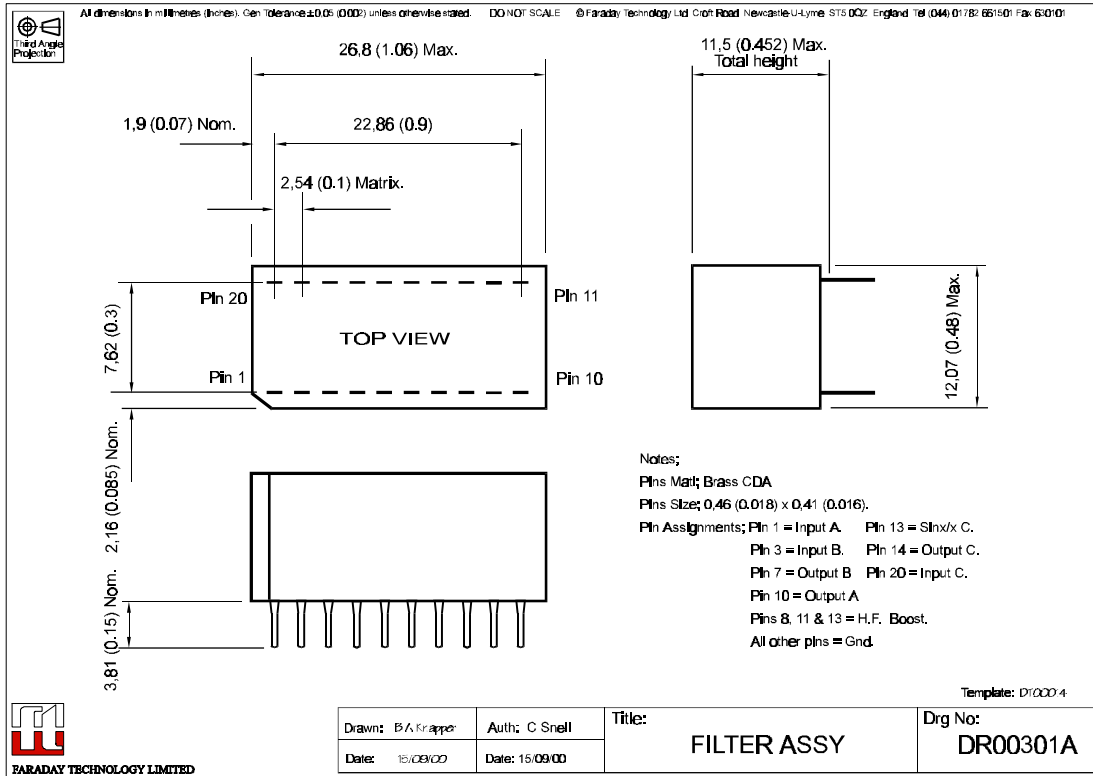
Order Codes

HEYUVF – HD 4:2:2 SAMPLING ANTIALIASING PRE FILTER
 HERGBF – HD 4:4:4 SAMPLING ANTIALIASING PRE FILTER
 HEYUVS – HD 4:2:2 SAMPLING RECONSTRUCTION FILTER
 HERGBS – HD 4:4:4 SAMPLING RECONSTRUCTION FILTER

For all above combinations channel B remains 30 MHz bandwidth, channels A and C are 30 MHz or 15 MHz dependant on sampling scheme.

© Faraday Technology. As part of continual product improvement the specifications, details and dimensions shown in this publication are subject to change without notice

PACKAGE DETAIL



Faraday Technology Ltd.
Croft Road Industrial Estate,
Newcastle, Staffordshire
ST5 0QZ, England.
Fara224d.doc

Tel: + 44 (0)1782 661501
Fax: + 44 (0)1782 630101
Email: sales@faradaytech.co.uk
Web site: http://www.faradaytech.co.uk
Oct-00(B)