

Table 1: Resolutions

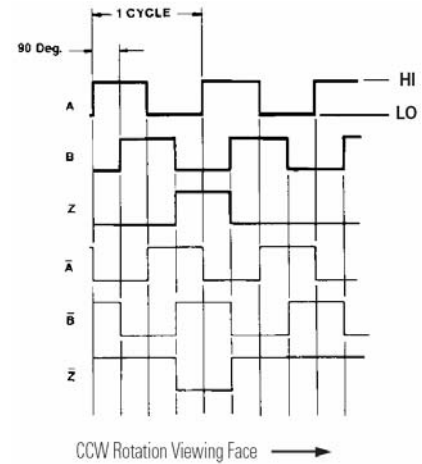
1*	2	3	5	6	8	10	11	12	24	25	30	32	40	50	60	64
70	75	80	100	105	112	155	120	125	150	192	200	240	250	256	300	336
360	400	410	500	510	512	600	720	785	1000	1024						

*No index.

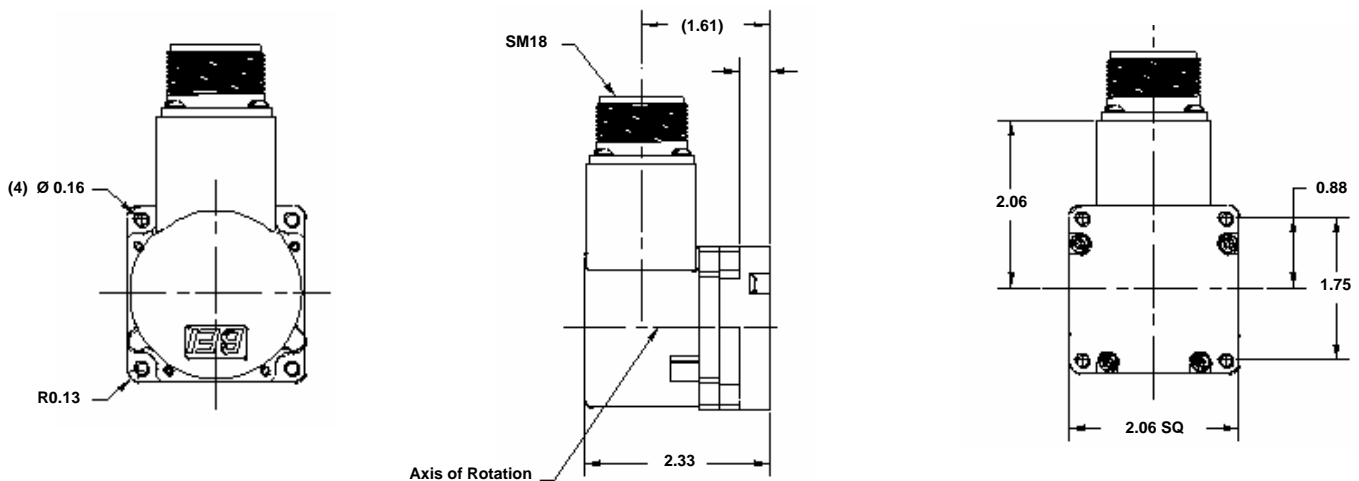
Table 2: Output Terminations

M18 Connector	
PIN	Channel
A	A
B	B
C	Z
D	+V
E	---
F	0V
G	CG
H	A/
I	B/
J	Z/

Output Waveform



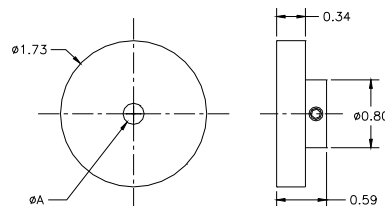
ES20 Dimensions



Magnetic Hub

Magnetic Hub Bore .250"
BEI Part No. 924-38540-250
(supplied with encoder)

Consult factory for other bore sizes



These commodities, technology or software if exported from the United States must be in accordance with the Bureau of Industry, and Security, Export Administration regulations. Diversion contrary to U.S law is prohibited.

