



■ Features :

- Universal AC input / Full range
- 3 pole AC inlet IEC320-C14
- Class I power (with earth pin)
- Full output 5~48V safety approval
- Protections: Short circuit / Overload / Over voltage
- Fully enclosed plastic case
- PWM 3842 control circuit and regulated
- LED indicator for power on
- Approvals: UL / CUL / TUV / BSMI / CB / FCC / CE
- 1 year warranty

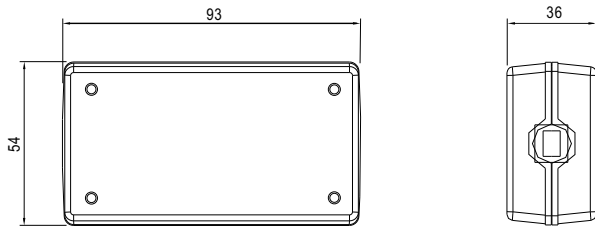
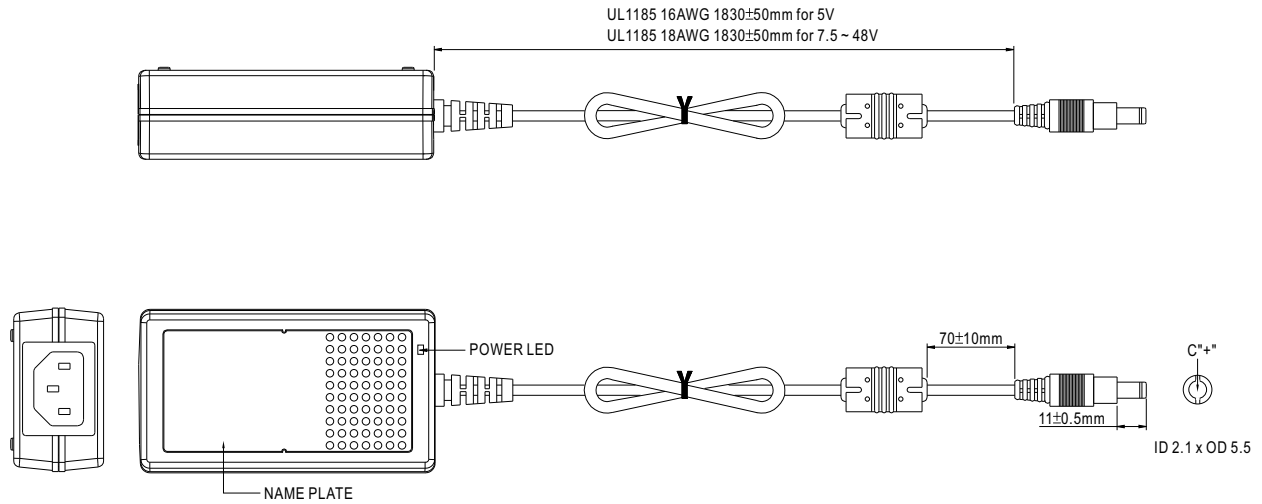


**SPECIFICATION**

ORDER NO.	ES25A05-P1J	ES25A07-P1J	ES25A09-P1J	ES25A12-P1J	ES25A15-P1J	ES25A18-P1J	ES25A24-P1J	ES25A28-P1J	ES25A36-P1J	ES25A48-P1J	
OUTPUT	SAFETY MODEL NO.										
	DC VOLTAGE <small>Note.2</small>										
	RATED CURRENT										
	CURRENT RANGE										
	RATED POWER (max.)										
	RIPPLE & NOISE (max.) <small>Note.3</small>										
	VOLTAGE TOLERANCE <small>Note.4</small>										
	LINE REGULATION <small>Note.5</small>										
	LOAD REGULATION <small>Note.6</small>										
	SETUP, RISE, HOLD UP TIME										
INPUT	VOLTAGE RANGE										
	FREQUENCY RANGE										
	EFFICIENCY (Typ.)										
	AC CURRENT										
	INRUSH CURRENT (max.)										
	LEAKAGE CURRENT(max.)										
PROTECTION	OVERLOAD										
	OVER VOLTAGE										
	WORKING TEMP.										
ENVIRONMENT	WORKING HUMIDITY										
	STORAGE TEMP., HUMIDITY										
	TEMP. COEFFICIENT										
	VIBRATION										
SAFETY & EMC (Note. 7)	SAFETY STANDARDS										
	WITHSTAND VOLTAGE										
	ISOLATION RESISTANCE										
	EMI CONDUCTION & RADIATION										
	HARMONIC CURRENT										
OTHERS	MTBF										
	DIMENSION										
	PACKING										
CONNECTOR	PLUG										
	CABLE										
NOTE	<p>1.All parameters are specified at 230VAC input, rated load, 25°C 70% RH ambient.</p> <p>2.DC voltage: The output voltage set at point measure by plug terminal &amp; 50% load.</p> <p>3.Ripple &amp; noise are measured at 20MHz by using a 12" twisted pair terminated with a 0.1uf &amp; 47uf capacitor.</p> <p>4.Tolerance: includes set up tolerance, line regulation, load regulation.</p> <p>5.Line regulation is measured from low line to high line at rated load.</p> <p>6.Load regulation is measured from 20% to 100% rated load</p> <p>7.The power supply is considered as an independent unit, but the final equipment still need to re-confirm that the whole system complies with the EMC directives.</p>										

### Mechanical Specification

Unit:mm

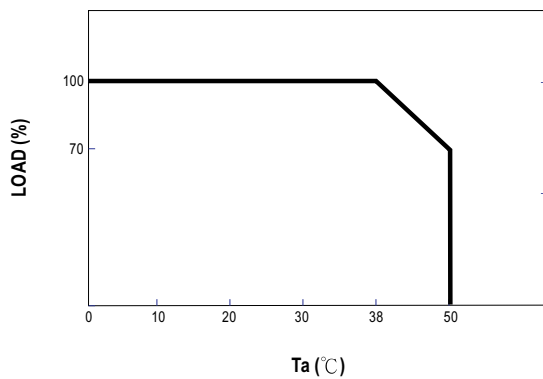


### Plug Assignment

Standard plug: P1J (option)

P1J	
P/N	OUTPUT
CENTER	+

### Derating Curve



### Static Characteristics

