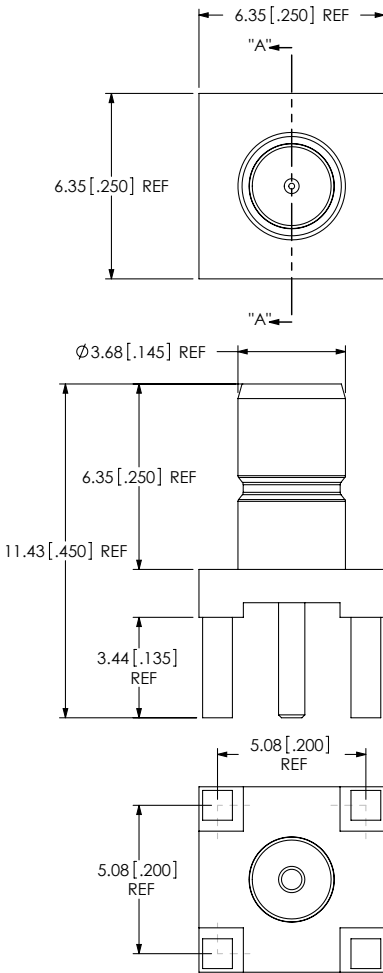


REVISION B

DO NOT SCALE FROM THIS PRINT



DESIGNED & DIMENSIONED IN MILLIMETERS [INCHES]

TABLE 2	
TERMINATION OPTION	"A"
SMB7-PIN-001	0.90 REF
SMB7-PIN-002	0.51 REF

SMB7H-J-P-X-ST-THX

GENDER
-J: JACK

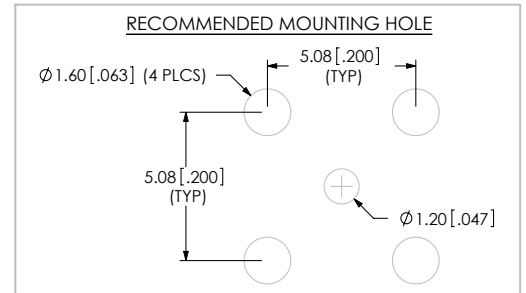
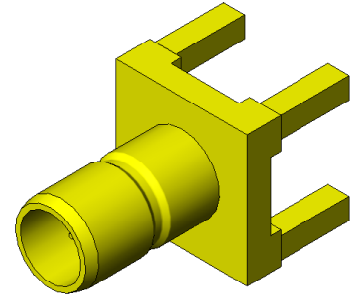
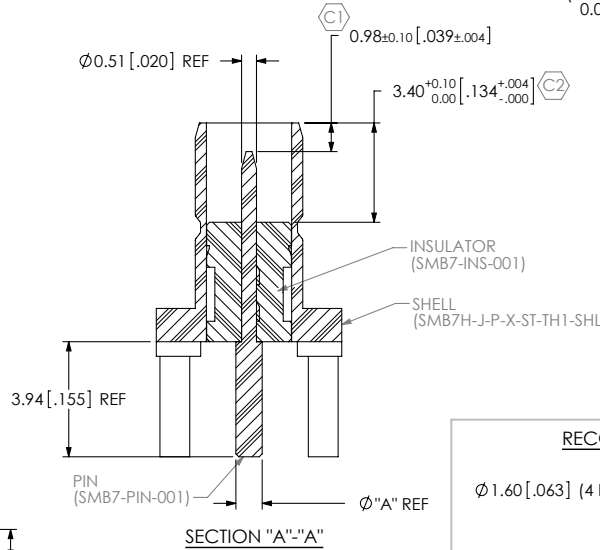
TYPE
-P: PCB

TERMINATION
-TH1: THROUGH HOLE WITH $\varnothing 0.90$ POST
-TH2: THROUGH HOLE WITH $\varnothing 0.51$ POST

ORIENTATION
-ST: STRAIGHT

PLATING

-H: HEAVY GOLD (CENTER CONTACT)
0.00076 [0.00030] GOLD OVER .00127 [0.00050] NICKEL
(OUTER CONTACT)
0.00013 [0.00005] GOLD OVER .00127 [0.00050] NICKEL



NOTES:

1. C REPRESENTS A CRITICAL DIMENSION.
2. PUSHOUT FORCE FOR INSULATOR: 35.58 N [8.0 LB] MIN. MATING DIRECTION ONLY.
3. PUSHOUT FORCE FOR CENTER CONTACT: 17.79 N [4.0 LB] MIN.
4. PARTS TO BE PACKAGED IN TRAYS; IF QUANTITY IS LESS THAN HALF TRAY, PARTS TO BE PACKAGED IN COHESIVE FOAM.
5. RoHS COMPLIANT.

F:\DWG\MISC\Mktg\SMB7H-J-P-X-ST-THX-MKT.SLDDRW

UNLESS OTHERWISE SPECIFIED, DIMENSIONS ARE IN MILLIMETERS [INCHES]. TOLERANCES ARE:
DECIMALS ANGLES
.X: ± 0.3 [01] 2°
.XX: ± 0.13 [005]
.XXX: ± 0.051 [0020]

MATERIAL:
SEE TABLE 1

DO NOT SCALE DRAWING

SHEET SCALE: 5:1

PROPRIETARY NOTE
THIS DOCUMENT CONTAINS INFORMATION CONFIDENTIAL AND PROPRIETARY TO SAMTEC, INC. AND SHALL NOT BE REPRODUCED OR TRANSFERRED TO OTHER DOCUMENTS OR DISCLOSED TO OTHERS OR USED FOR ANY PURPOSE OTHER THAN THAT WHICH IT WAS OBTAINED WITHOUT THE EXPRESSED WRITTEN CONSENT OF SAMTEC, INC.

samtec

520 PARK EAST BLVD, NEW ALBANY, IN 47150
PHONE: 812-944-6733 FAX: 812-948-5047
e-Mail: info@SAMTEC.com code: 55322

DESCRIPTION:
SMB7 STRAIGHT THROUGH HOLE JACK- 75 OHM
DWG. NO.

SMB7H-J-P-X-ST-THX

BY: G. HERMAN 03/25/2008 SHEET 1 OF 1