



Model Number

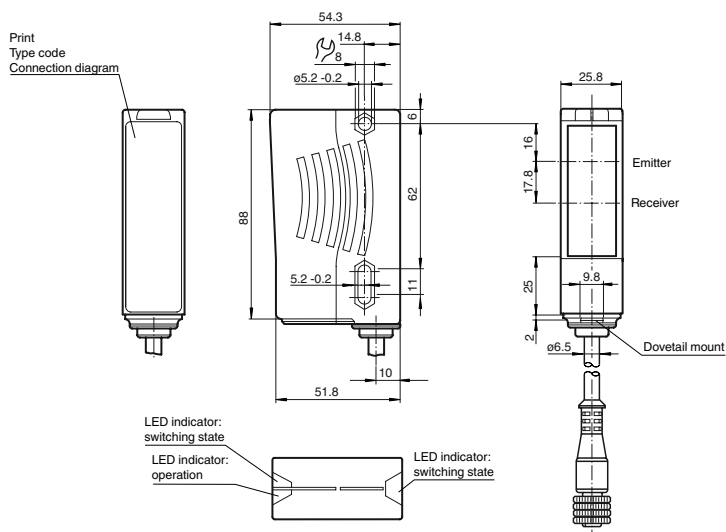
RL28-55-V-3018

Retroreflective sensor
with 0.3 m fixed cable and M12 connector, 4-
pin

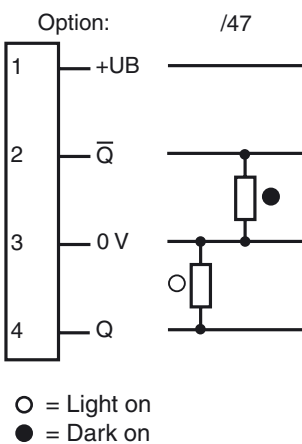
Features

- Ultra bright LEDs for power on, pre fault indication and switching state
- Not sensitive to ambient light, even with switched energy saving lamps
- Waterproof, protection degree IP67
- Protection class II

Dimensions



Electrical connection



Release date: 2011-04-19 13:56 Date of issue: 2011-04-19 203774_ENG.xml

Technical data**General specifications**

Effective detection range	0 ... 8 m
Reflector distance	0.5 ... 8 m (blind range 0 ... 0.2 m faded out)
Threshold detection range	12 m
Reference target	H60 reflector 40 mm x 60 mm
Light source	LED
Light type	modulated visible red light , 660 nm
Diameter of the light spot	approx. 160 mm at a distance of 8 m
Angle of divergence	emitter 1.2° receiver 2°
Ambient light limit	80000 Lux

Functional safety related parameters

MTTF _d	1140 a
Mission Time (T _M)	20 a
Diagnostic Coverage (DC)	0 %

Indicators/operating means

Operating display	LED green
Function display	2 LEDs yellow, light up when light beam is free, flash when falling short of the stability control, off when light beam is interrupted

Electrical specifications

Operating voltage	U _B	10 ... 30 V DC
Ripple		10 %
No-load supply current	I ₀	≤ 40 mA

Output

Switching type	light on	
Signal output	2 PNP, complementary, short-circuit protected, reverse polarity protected , open collectors	
Switching voltage	max. 30 V DC	
Switching current	max. 200 mA	
Switching frequency	f	1000 Hz
Response time		0.5 ms

Ambient conditions

Ambient temperature	-40 ... 60 °C (-40 ... 140 °F)
Storage temperature	-40 ... 75 °C (-40 ... 167 °F)

Mechanical specifications

Protection degree	IP67
Connection	with 0.3 m fixed cable and M12 connector, 4-pin
Material	
Housing	Plastic ABS
Optical face	plastic
Mass	70 g

Compliance with standards and directives

Standard conformity	
Product standard	EN 60947-5-2:2007

Approvals and certificates

Protection class	II, rated voltage ≤ 250 V AC with pollution degree 1-2 according to IEC 60664-1
UL approval	cULus
CCC approval	Products with a maximum operating voltage of ≤36 V do not bear a CCC marking because they do not require approval.

Accessories**OMH-05**

Mounting aid for round steel ø 12 mm or sheet 1.5 mm ... 3 mm

OMH-07

Mounting aid for round steel ø 12 mm or sheet 1.5 mm ... 3 mm

OMH-21

Mounting bracket

OMH-22

Mounting bracket

OMH-MLV11-K

dove tail mounting clamp

OMH-RLK29

Mounting bracket

OMH-RLK29-HW

Mounting bracket for rear wall mounting

OMH-RL28-C

Protective cover