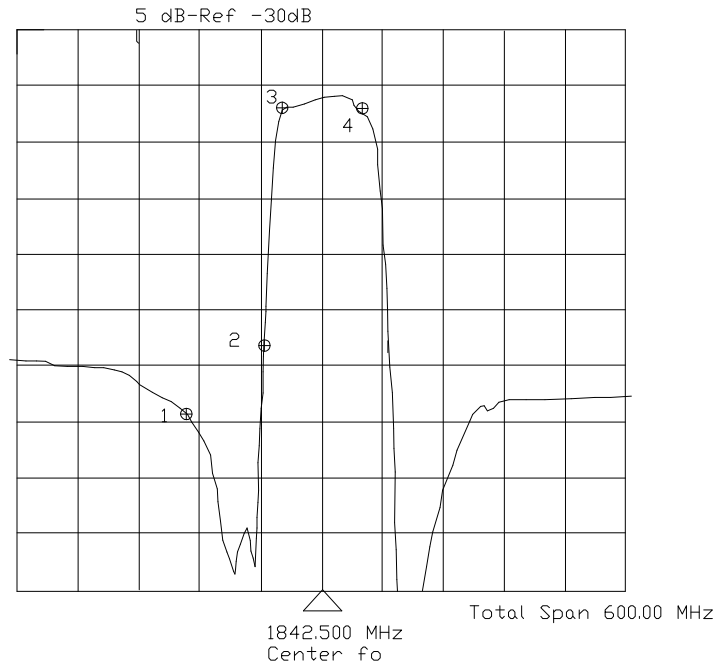


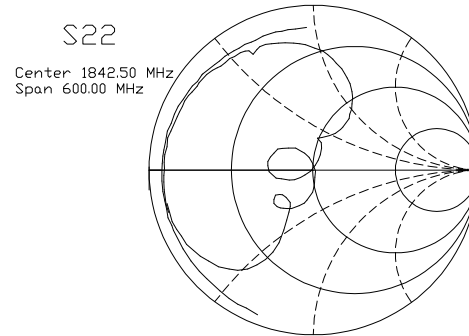
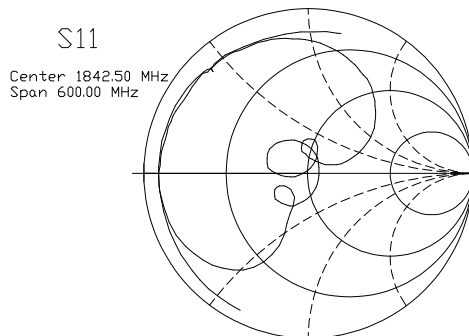
DESCRIPTION

- Miniature 1842.5 MHz SAW Filter.
- 3 x 3 mm Ceramic LCC package.
- RoHS compliant

TYPICAL PERFORMANCE



Frequency Characteristics: Indicator #1 = 29.56dB @ 1710.0 MHz
 #2 = 23.35dB @ 1785.0 MHz
 #3 = 2.09dB @ 1805.0MHz
 #4 = 2.14dB @ 1880.0 MHz



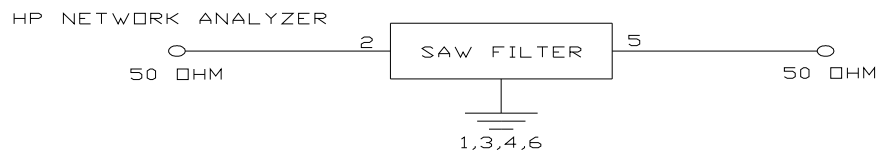
SPECIFICATION

Parameter	Min	Typ	Max	Units
Center Frequency F_c	-	1842.5	-	MHz
Bandwidth	75		-	MHz
Insertion Loss (1805 - 1880 MHz)	-	2.2	3.8	dB
Amplitude Ripple (1805 - 1880 MHz)	-	1.3	2.3	dB
Attenuation (Reference level from 0 db)				
DC to 1500 MHz	20	24.5	-	dB
1500 to 1710 MHz	22	25.0	-	dB
1710 to 1785 MHz	10	23.5	-	dB
1920 to 3120 MHz	25	28.0	-	dB
3120 to 4000 MHz	17	30.0		
Input/Output VSWR (1805 - 1880 MHz)	-	2.0	2.2	dB
Terminating Impedance	50			$\Omega// 0nF$

MAXIMUM RATINGS

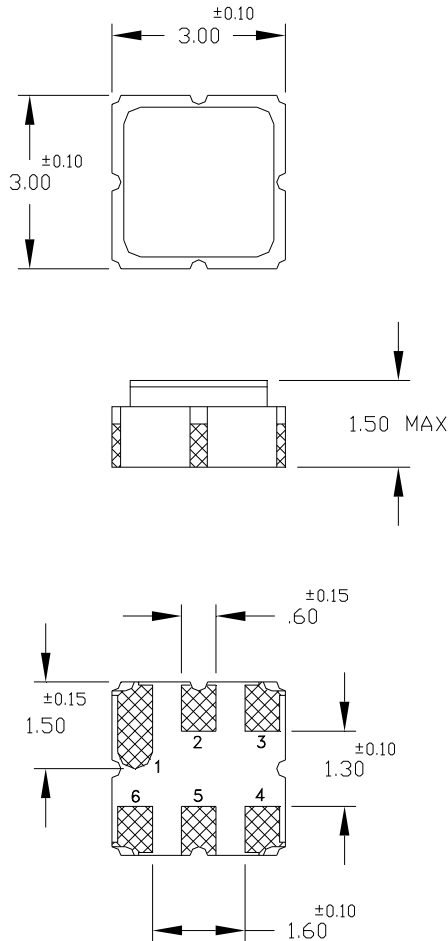
Parameter	Min	Max	Units
Storage Temperature Range	-40	+85	$^{\circ}C$
Operating Temperature Range	-30	+85	$^{\circ}C$
Input Power Level	-	+13	dBm
D.C. Voltage	-	0	V

MATCHING CIRCUIT

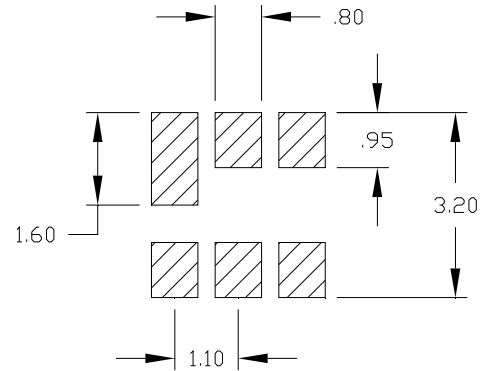


Matching components are not required.

PACKAGE OUTLINE



SUGGESTED FOOTPRINT



Package Material:
Body: Al_2O_3 ceramic
Lid: Kovar, Ni plated
Terminations: Au plating 1 μ m min,
over a 1.3-8.9 μ m Ni plating

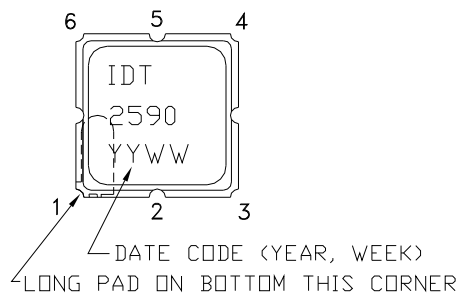
Units: mm

Tolerances are typically ± 0.15 mm
except where indicated.

Pad Configuration:

Input:	2
Output:	5
Ground:	1,3,4,6

MARKING



ISO 9001
Registered

All specifications are believed to be accurate and reliable. However, Spectrum Microwave reserves the right to make changes without notice.
© 2010 All rights reserved.

Spectrum Microwave
400 Nickerson Road, Marlborough MA, USA • Phone 1-508-251-6400 • Fax 1-508-251-6401
www.SpectrumMicrowave.com

DSSF1843BA02590S Rev X2 27-July-2010
Page 3 of 3