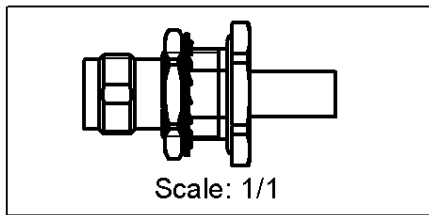
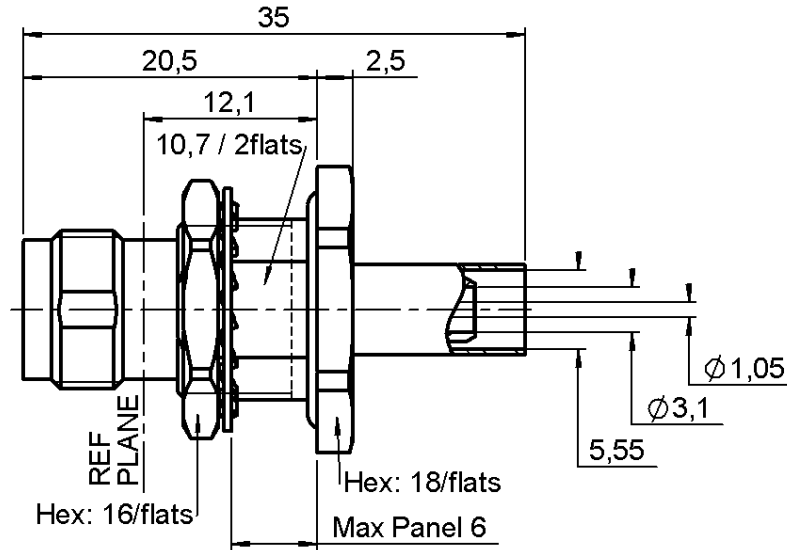


**RP TNC SRT. BULK. JACK PANEL SEAL CLAMP  
POLARIZED**

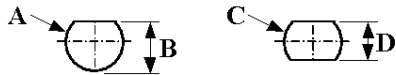
**R300.143.240**

**CRIMP TYPE - CABLE 5/50 D S**

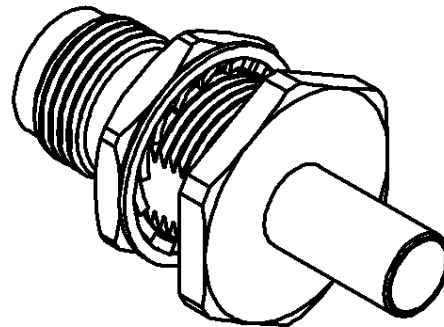
Series :  
**REV.POLARITY**



**PANEL CUT OUT**



mm			mm		
	Maxi	mini		Maxi	mini
A	12.8	12.7	C	12.8	12.7
B	12.1	12	D	10.9	10.8



All dimensions are in mm.



COMPONENTS	MATERIALS	PLATINGS (µm)
BODY	BRASS	NICKEL 2
CENTER CONTACT	BRASS	GOLD 0.5 OVER NICKEL 2
OUTER CONTACT	-	-
INSULATOR	PTFE	-
GASKET	-	-
OTHERS PARTS	-	-
-	-	-
-	-	-

Issue : 0304 B

In the effort to improve our products, we reserve the right to make changes judged to be necessary.



**RP TNC SRT. BULK. JACK PANEL SEAL CLAMP  
POLARIZED**

**R300.143.240**

**CRIMP TYPE - CABLE 5/50 D S**

Series :  
**REV.POLARITY**

**PACKAGING**

Standard	Unit	Other
<b>100</b>	<b>'W' option</b>	<b>Contact us</b>

**SPECIFICATION**

**ELECTRICAL CHARACTERISTICS**

Impedance		<b>50</b> Ω
Frequency		<b>0-11</b> GHz
VSWR	<b>NA +</b>	<b>0.000</b> x F(GHz) Maxi
Insertion loss		<b>NA</b> √F(GHz) dB Maxi
RF leakage	<b>- (</b>	<b>NA</b> - F(GHz)) dB Maxi
Voltage rating		<b>500</b> Veff Maxi
Dielectric withstanding voltage		<b>1500</b> Veff mini
Insulation resistance		<b>5000</b> MΩ mini

**CABLE ASSEMBLY**

Stripping	a	b	c	d	e	f
mm	4.00	8.50	15.0	0.00	11.0	0.00

Assembly instruction : **Crimp 02**

Recommended cable(s)  
RG 58  
KX 15  
RG 141

Cable retention  
- pull off **90** N mini  
- torque **NA** N.cm

**MECHANICAL CHARACTERISTICS**

Center contact retention		
Axial force – Mating end	<b>27</b>	N mini
Axial force – Opposite end	<b>27</b>	N mini
Torque	<b>NA</b>	N.cm mini

Recommended torque		
Mating	<b>NA</b>	N.cm
Panel nut	<b>370</b>	N.cm
Clamp nut	<b>NA</b>	N.cm
A/F clamp nut	<b>0.000</b>	mm

Mating life	<b>500</b>	Cycles mini
Weight	<b>17.500</b>	g

**TOOLING**

Part Number	Description	Hexagon
.	.	.
R282.223.000	CRIMPING TOOL	5.41
R282.293.000	CRIMPING TOOL	1.73
R282.235.011	CRIMPING DIES	

**OTHERS CHARACTERISTICS**

**ENVIRONMENTAL**

Operating temperature	<b>-65/+165</b>	° C
Hermetic seal	<b>NA</b>	Atm.cm3/s
Panel leakage	<b>NA</b>	

**Issue : 0304 B**

In the effort to improve our products, we reserve the right to make changes judged to be necessary.

