

FASCO INDS/ SENISYS

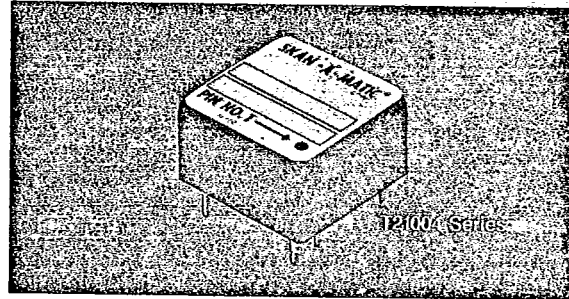
40E D ■ 3499738 0001448 1 ■ SENI

**CONTROLS**

**Photoelectric Amplifier  
Printed Circuit Board Mount  
T21004**

**Features:**

- Modular approach
- Printed circuit board mounting
- Low power consumption
- Small size
- Gold plated leads
- Epoxy encapsulated



**Description:**

The T21004 photoelectric amplifier module is designed to amplify output from a photodetector. The output of the photodetector is taken as the input of the module. A Schmitt Trigger circuit within the module insures positive switching of the output stage to a completely ON or completely OFF condition. An external sensitivity pot is used to adjust

the input threshold current at which the amplifier will trigger. To insure output stability a small amount of Hysteresis (approximately 0.2 volts) is built into the circuitry.

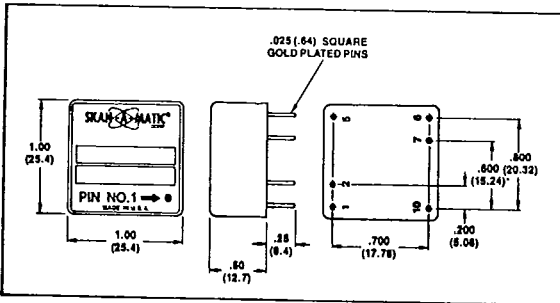
The module can be connected so that its output is energized when the photodetector is either LIGHT or DARK.

**Specifications: (at 25°C)**

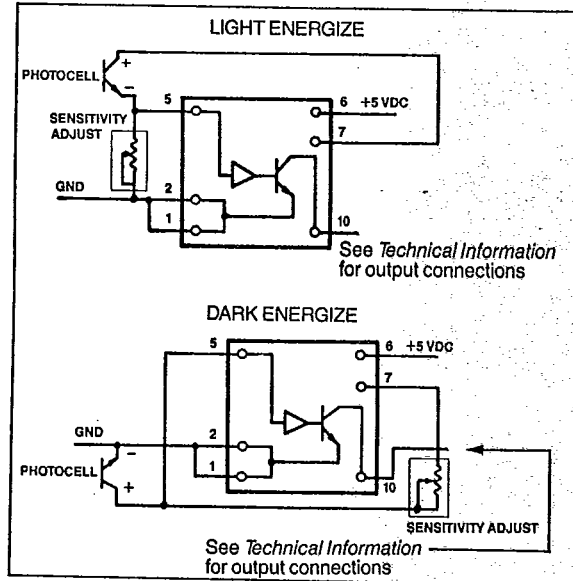
INPUT	Threshold Voltage: 40% to 60% of supply voltage
OUTPUT	Open collector NPN transistor to switch up to 40 VDC at 40mA max. Energized with photodetector either LIGHT or DARK depending upon connection.
RESPONSE TIME	See Standard Amplifier under Response Time Chart in <i>Technical Information</i>

POWER SUPPLY	4 to 6 VDC at 2mA max., 5% regulation
SENSITIVITY ADJUSTMENT	External 1 megohm potentiometer.
TEMPERATURE	Operating: 0° to 50 °C Storage: -40° to 70°C

**Dimensions:**



**Wiring Diagram:**



**Accessories:**

**B01001 MODULE SOCKET**  
Facilitates easy replacement of the module



A Senisys Company  
Plano, Texas 75075