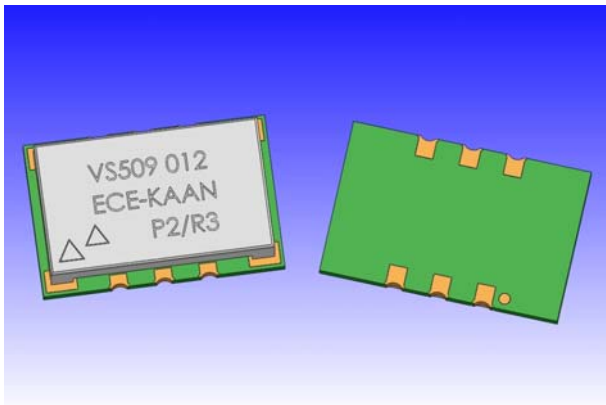



## VS-509 Dual Frequency VCSO



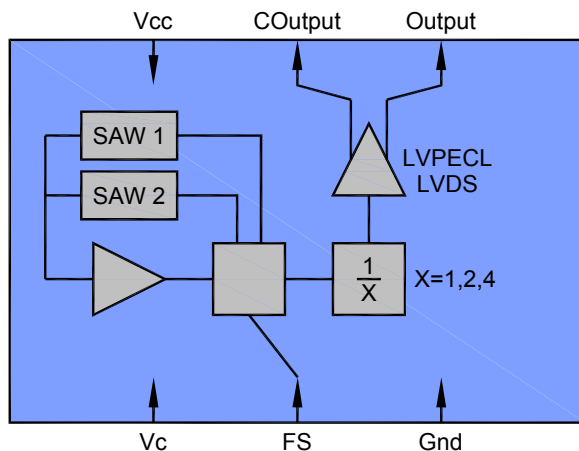
### Features

- Industry Standard Package, 9.1 x 13.8 x 3.1 mm
- 5<sup>th</sup> Generation ASIC Technology for Ultra Low Jitter  
125 fs-rms ( $f_N = 622.08$  MHz, 12 kHz to 20 MHz)  
120 fs-rms ( $f_N = 622.08$  MHz, 50 kHz to 80 MHz)
- Output Frequencies from 150 MHz to 1000 MHz
- Spurious Suppression, 90 dBc Typical
- 3.3V Supply Voltage
- LVPECL or LVDS Output Configurations
- Tri-State Frequency Select (F1, OD, F2)
- Compliant to EC RoHS6 Directive 

### Applications

PLL circuits for Clock Smoothing and Frequency Translation

Description	Standard
• SONET / SDH	GR-253-CORE
• OTN (Optical Transport Network)	ITU-T G.709/Y.1331
• 10 GbE (Gigabit Ethernet)	IEEE 802.3ae
• 10 GFC (Gigabit Fibre Channel)	INCITS 364-2003
• 40 GbE & 100 GbE	IEEE 802.3ba
• Synchronous Ethernet	ITU-T G.8261
• WiMax	IEEE 802.16



### Description

The VS-509 is a Voltage Controlled SAW Oscillator that operates at the fundamental frequency from one of the two internal SAW filters. The SAW filters are high-Q Quartz devices that enable the circuit to achieve low phase jitter performance over a wide operating temperature range. A divider circuit is deployed for output frequencies less than 600 MHz. The selectable dual oscillator is housed in a hermetically sealed leadless surface mount package and offered on tape and reel. It has a tri-state Frequency Select function that provides one of three conditions: Frequency 1, Output Disable, or Frequency 2.

**Electrical Performance: 3.3V LV-PECL**

Parameter	Symbol	Minimum	Typical	Maximum	Units	Notes
<b>Frequency</b>						
Nominal Frequency	$f_N$	150		1000	MHz	1,2,3
Absolute Pull Range	APR	$\pm 50$			ppm	1,2,3,9
Linearity	Lin		$\pm 7$		%	2,4,9
Gain Transfer (Low / Standard)	$K_V$		+300 / +365		ppm/V	2,9
Temperature Stability	$f_{STAB}$		$\pm 100$		ppm	1,7
<b>Supply</b>						
Voltage ( $\pm 10\%$ )	$V_{CC}$	2.97	3.3	3.63	V	2,3
Current (Typical 50 $\Omega$ Load)	$I_{CC}$		73		mA	3
Current (No Load)	$I_{CC}$		60	75	mA	3
<b>Outputs</b>						
Mid Level		$V_{CC}-1.5$	$V_{CC}-1.3$	$V_{CC}-1.1$	mV	2,3
Single Ended Swing			750		mV-pp	2,3
Differential Swing			1.5		V-pp	2,3
Current	$I_{OUT}$			20	mA	7
Rise Time	$t_R$		180	250	ps-pp	6,7
Fall Time	$t_F$		180	250	ps-pp	6,7
Symmetry	SYM	45	50	55	%	2,3
Spurious Suppression		85	90		dBc	7
Jitter ( $600 \leq f_N \leq 1000$ )	$\phi_J$		150		fs-rms	7,8
Jitter ( $300 \leq f_N \leq 500$ )	$\phi_J$		190		fs-rms	7,8
Jitter ( $150 \leq f_N \leq 250$ )	$\phi_J$		280		fs-rms	7,8
<b>Control Voltage</b>						
Input Impedance (F1 or F2 Enabled)	$Z_C$		167		$k\Omega$	7
Input Impedance (Output Disabled)	$Z_C$		472		$k\Omega$	7
Modulation Bandwidth	BW		200		kHz	7
<b>Operating Temperature</b>						
	$T_{OP}$	-40		+85	$^{\circ}C$	1,3
<b>Package Size</b>						
		9.1 x 13.8 x 3.1			mm	

1. See Standard Frequencies and Ordering Information (Pg 8).
2. Parameters are tested with production test circuit (Pg 3).
3. Parameters are tested at ambient temperature with test limits guard-banded for specified operating temperature.
4. Measured as the maximum deviation from the best straight-line fit, per MIL-0-55310.
5. The Vc Model is described below (Fig 1).
6. Parameters are described with waveform diagram below (Fig 2).
7. Not tested in production, guaranteed by design, verified at qualification.
8. For Frequencies > 600 MHz, Jitter is integrated across 50 kHz to 80 MHz.  
For Frequencies < 600 MHz, Jitter is integrated across 12 kHz to 20 MHz. (Both per GR-253-CORE Issue3).
9. Tested with Vc = 0.3V to 3.0V.

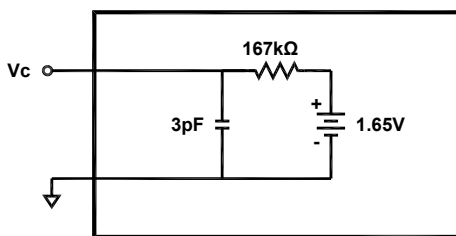


Figure 1. Vc Model – F1 or F2 Enabled

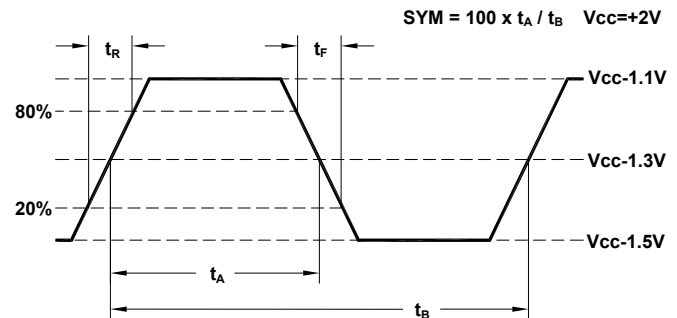
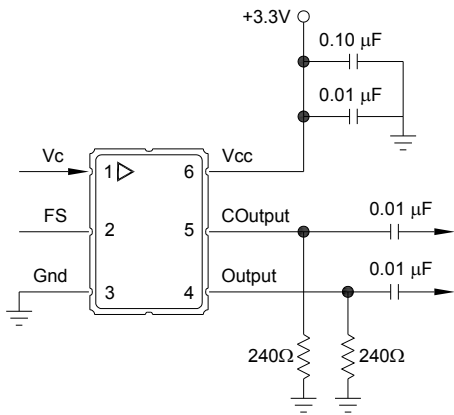


Figure 2. 10K LV-PECL Waveform

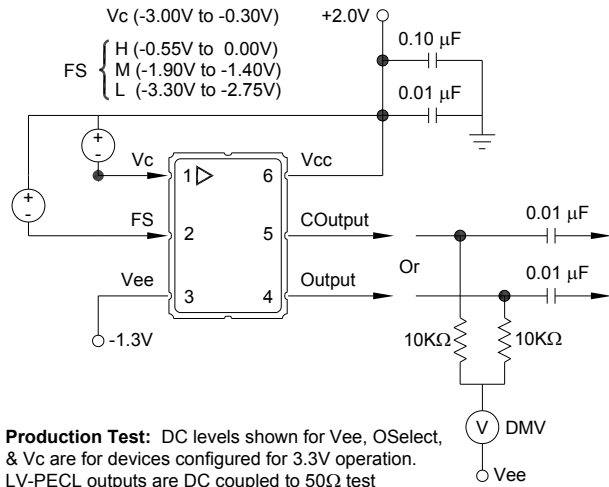
Absolute Maximum Ratings			
Parameter	Symbol	Ratings	Unit
Power Supply	$V_{CC}$	0 to 6	V
Input Current	$I_{IN}$	100	mA
Output Current	$I_{OUT}$	25	mA
Voltage Control Range	$V_C$	0 to $V_{CC}$	V
Frequency Select	FS	0 to $V_{CC}$	V
Storage Temperature	$T_{STR}$	-55 to 125	$^{\circ}C$
Soldering Temperature / Duration	$T_{PEAK} / t_P$	260 / 40	$^{\circ}C / sec$

Stresses in excess of the absolute maximum ratings can permanently damage the device. Also, exposure to these absolute maximum ratings for extended periods may adversely affect device reliability. Functional operation is not implied at these or any other conditions in excess of those represented in the operational sections of this datasheet. Permanent damage is also possible if any device input ( $V_C$  or FS) draws >100 mA.

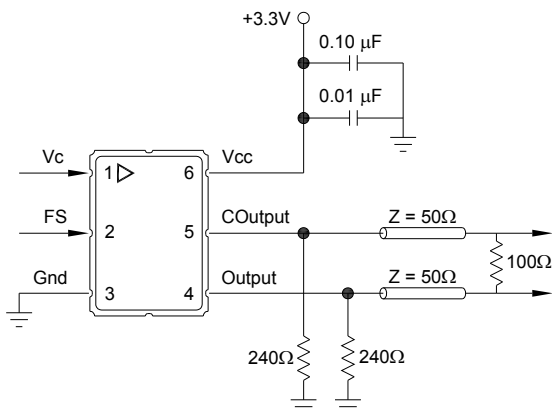
Test Circuits & Output Load Configurations



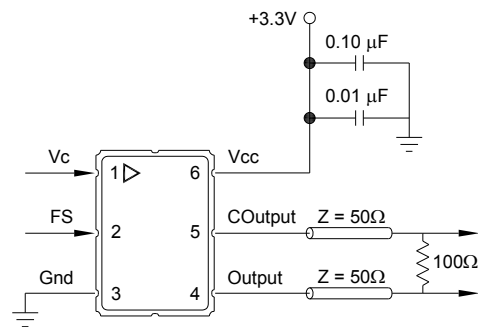
**Functional Test:** Allows use of standard power supply biasing configuration. Pull down resistors are used for LV-PECL outputs and are removed for with LVDS outputs. Since the LVDS outputs are AC coupled, the output DC levels cannot be measured.



**Production Test:** DC levels shown for Vee, OSelect, &  $V_C$  are for devices configured for 3.3V operation. LV-PECL outputs are DC coupled to 50Ω test equipment. LVDS outputs are connected to a digital volt meter, then AC coupled to the test equipment. The digital volt meter allows for Mid Level & Swing measurements.

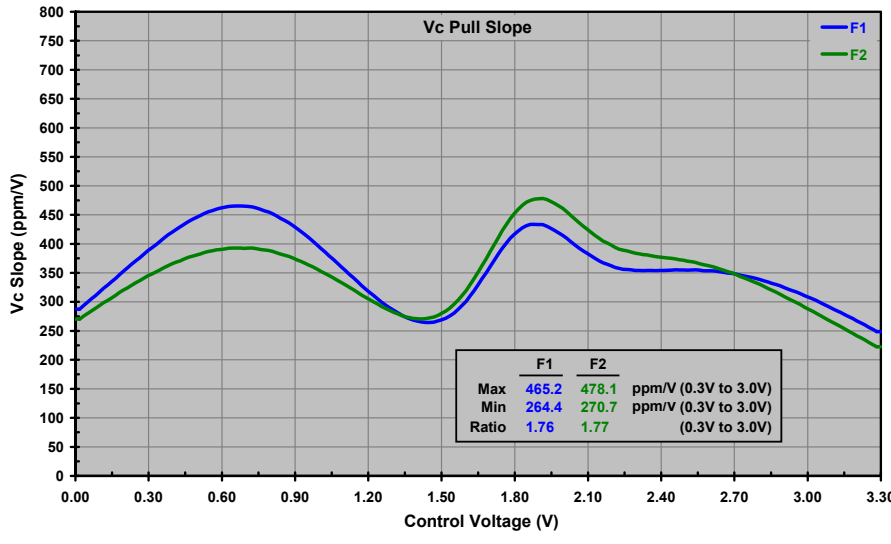
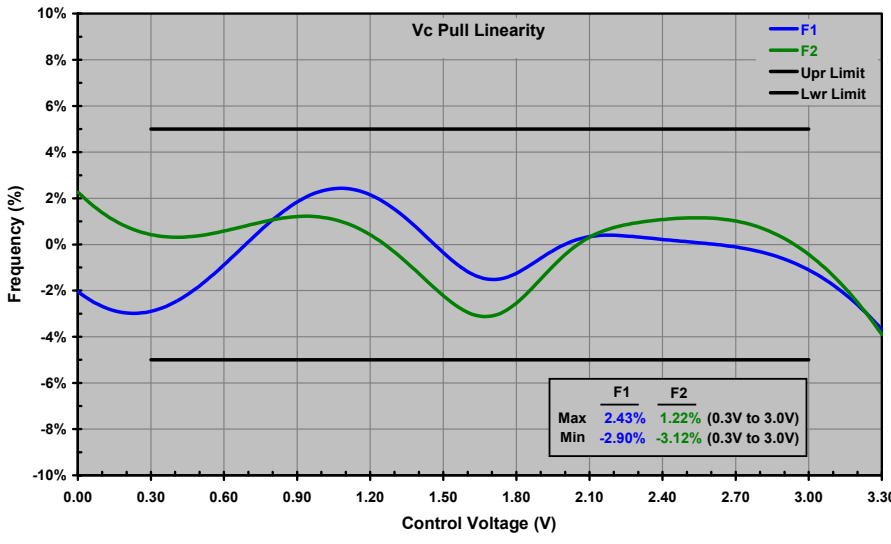
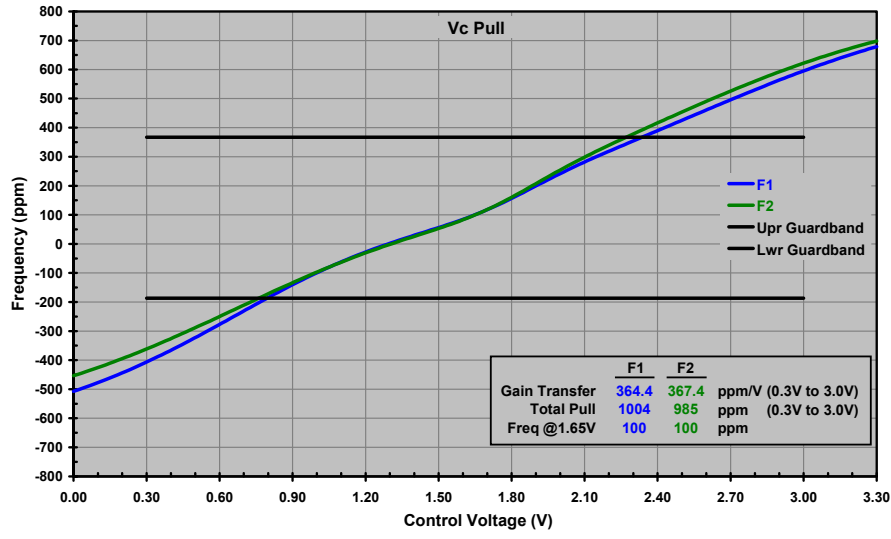


**LV-PECL to LV-PECL:** For short transmission lengths, the pull down resistor values shown provide reasonable power consumption and waveform performance.

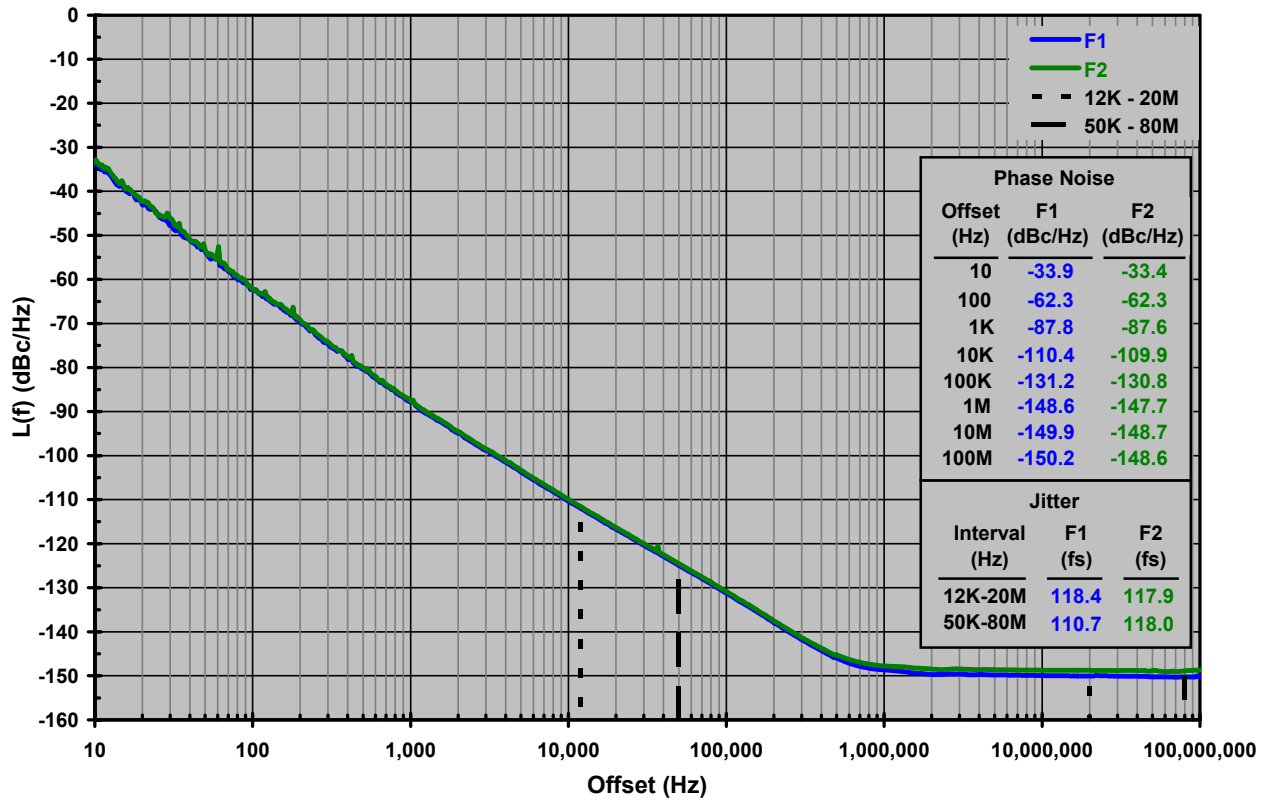


**LVDS to LVDS:** The 100Ω resistor should be removed if this load is provided internally within the LVDS receiver.

Typical Characteristics: Vc Pull, Vc Pull Linearity, & Vc Pull Slope



Typical Characteristics: Phase Noise & Jitter



**Reliability**

VI qualification includes aging at various extreme temperatures, shock and vibration, temperature cycling, and IR reflow simulation. The VS-509 family is capable of meeting the following qualification tests:

**Environmental Compliance**

Parameter	Conditions
Mechanical Shock	MIL-STD-883, Method 2002 B
Mechanical Vibration	MIL-STD-883, Method 2007 A
Solderability	MIL-STD-883, Method 2003
Gross and Fine Leak	MIL-STD-883, Method 1014
Resistance to Solvents	MIL-STD-883, Method 2016
Moisture Sensitivity Level	IPC/JEDEC J-STD-020, MSL1

**Handling Precautions**

Although ESD protection circuitry has been designed into the VS-509 proper precautions should be taken when handling and mounting. VI employs a human body model (HBM) and a charged-device model (CDM) for ESD susceptibility testing and design protection evaluation.

**ESD Ratings**

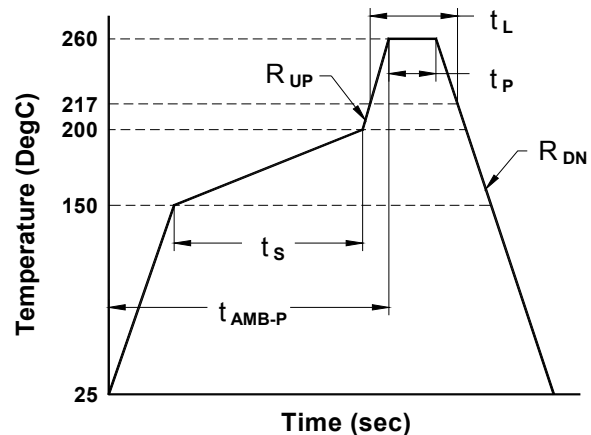
Model	Minimum	Conditions
Human Body Model	2000 V	MIL-STD 883, Method 3015
Charged Device Model	1000 V	JEDEC, JESD22-C101
Machine Model	200 V	JEDEC, JESD22-A115-A

**Reflow Profile (IPC/JEDEC J-STD-020)**

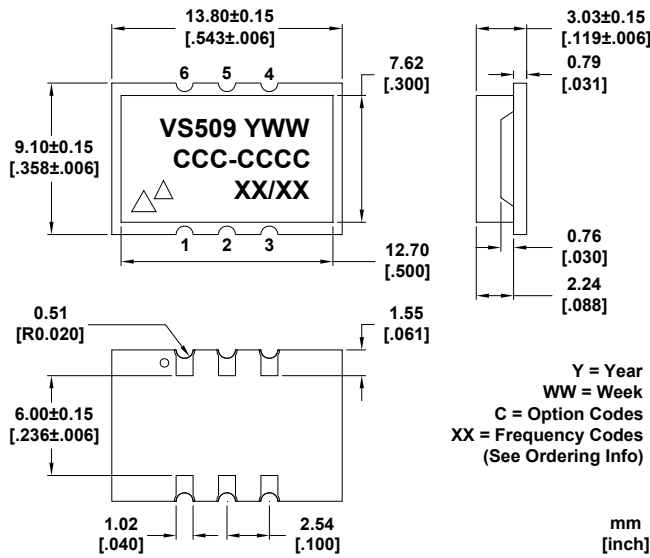
Parameter	Symbol	Value
PreHeat Time	$t_s$	60 sec Min, 180 sec Max
Ramp Up	$R_{UP}$	3 °C/sec Max
Time Above 217 °C	$t_L$	60 sec Min, 150 sec Max
Time To Peak Temperature	$t_{AMB-P}$	480 sec Max
Time At 260 °C	$t_P$	20 sec Min, 40 sec Max
Ramp Down	$R_{DN}$	6 °C/sec Max

The VS-509 is qualified to meet the JEDEC standard for Pb-Free assembly. The temperatures and time intervals listed are based on the Pb-Free small body requirements. The temperatures refer to the topside of the package, measured on the package body surface. The VS-509 should not be subjected to a wash process that will immerse it in solvents. NO CLELAN is the recommended procedure. The VS-509 is designed for pick and place soldering. It should be reflowed once on topside position only.

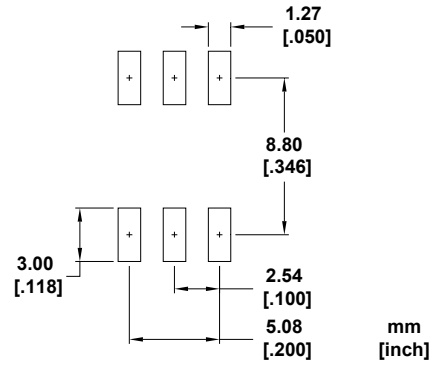
Terminal Plating: ENIG per IPC-4552  
 Electroless Ni = 3 - 6 µm  
 Immersion Au = 0.05 µm Min



Outline & Marking Diagram



Suggested Pad Layout



Pin Out

Pin	Symbol	Function
1	V <sub>C</sub>	Control Voltage
2	FS	Frequency Select
3	GND	Case and Electrical Ground
4	Output	Output
5	COutput	Complementary Output
6	V <sub>CC</sub>	Power Supply Voltage

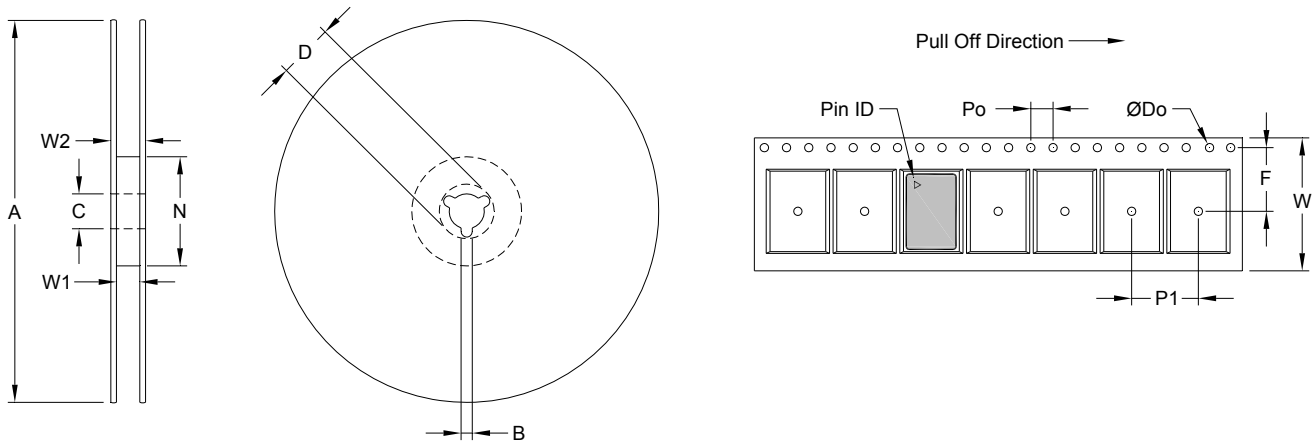
Frequency Select (Tri-State LV-CMOS)

FS	Voltage Range	Result
H	(5V <sub>CC</sub> / 6) to V <sub>CC</sub>	F2
M	(V <sub>CC</sub> / 2) ± 15%(V <sub>CC</sub> / 2)	OD
L	Gnd to (V <sub>CC</sub> / 6)	F1

LV-CMOS Tri-State Control

Floating FS Results in F2 (VS550 Compatibility) or in OD (VS709 Compatibility), See Order Options

Tape and Reel (EIA-481-2-A)



Tape Dimensions (mm)

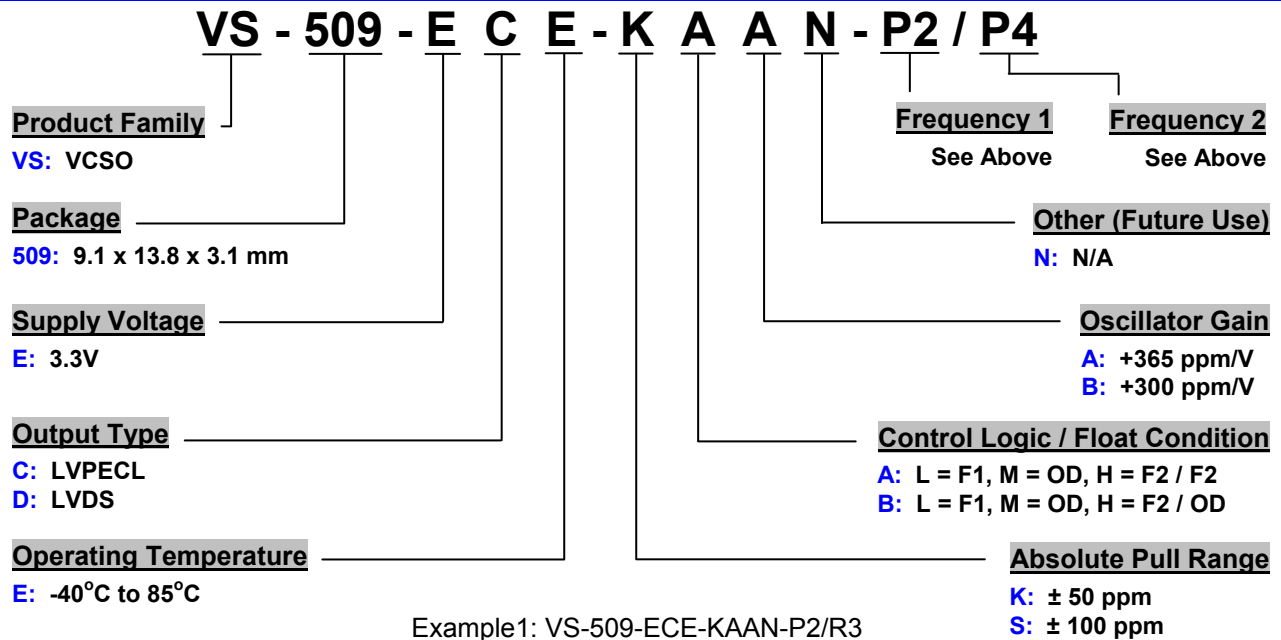
Reel Dimensions (mm)

Dimension	W	F	Do	Po	P1	A	B	C	D	N	W1	W2	# Per Reel
Tolerance	Typ	Typ	Typ	Typ	Typ	Typ	Min	Typ	Min	Min	Typ	Max	Reel
VS-509	24	11.5	1.5	4	12	330	1.5	13	20.2	100	24.4	30.4	200

Standard Frequencies (MHz)						
155.520000 <b>M2</b>	156.250000 <b>M3</b>	161.132813 <b>M4</b>	166.628572 <b>M5</b>	167.331646 <b>N2</b>	168.040678 <b>N3</b>	
173.370748 <b>ND</b>	184.320000 <b>NH</b>	307.200000 <b>RX</b>	311.040000 <b>P1</b>	368.640000 <b>RY</b>	614.400000 <b>RG</b>	
622.080000 <b>P2</b>	625.000000 <b>P3</b>	644.531250 <b>P4</b>	657.421875 <b>PB</b>	666.514286 <b>P5</b>	669.326582 <b>R3</b>	
672.162712 <b>R5</b>	690.569196 <b>R4</b>	693.482991 <b>R6</b>	696.421478 <b>V1</b>	696.614900 <b>V8</b>	707.352650 <b>TC</b>	
718.863800 <b>V6</b>	737.280000 <b>TL</b>	905.499558 <b>V7</b>				

Other Frequencies Available Upon Request.  
 Frequency F1 Must Be Lower Than Frequency F2.  
 Frequencies F1 & F2 Must Be Selected Within One Frequency Range: (150 - 250),(300 - 500),(600 - 1000)

**Ordering Information**



**Contact Information:**



**USA:** Vectron International • 267 Lowell Rd. Hudson, NH 03051  
 Tel: 1-88-VECTRON-1 • Fax: 1-888-FAX-VECTRON

**EUROPE:** Landstrasse, D-74924, Neckarbischofsheim, Germany  
 Tel: 49 (0) 7268 8010 • Fax: 49 (0) 7268 801281

**ASIA:** 1F-2F, No 8 Workshop, No. 308 Fenju Road, WaiGaoQiao Free Trade Zone, Pudong, Shanghai, China 200131  
 Tel : 86 21 5048 0777 • Fax : 86 21 5048 1881

Vectron International reserves the right to make changes to the product(s) and or information contained herein without notice. No liability is assumed as a result of their use or application. No rights under any patent accompany the sale of any such product(s) or information.



**Revision History**

<b>Date</b>	<b>Approved</b>	<b>Description</b>
11Mar2010	JM, BW	Preliminary Release
18Mar2010	JM	Corrected Pin1 ID on Outline and Changed Floating FS to F2
04May2010	JM	Changed Pin1 ID on Cover and Increased Outline Height (24 Mil Pcb to 31 Mil Pcb)
30Jul2010	JM	Added Typ Low Gain on pg2, Float Condition Text on pg7 and its Ordering Option on pg8
16Aug2010	JM	Changed Standard Gain to +365 ppm/V, Removed Vc Pull Plots
29Oct2010	JM	Removed 2.5V option, Added Vc Pull & Phase Noise Plots