

Features

- Universal AC input / Full range
- Short circuit and overload protected
- Cooling by free air convection
- 100% full load burn-in test
- Fixed switching frequency at 36KHz
- 2 year warranty

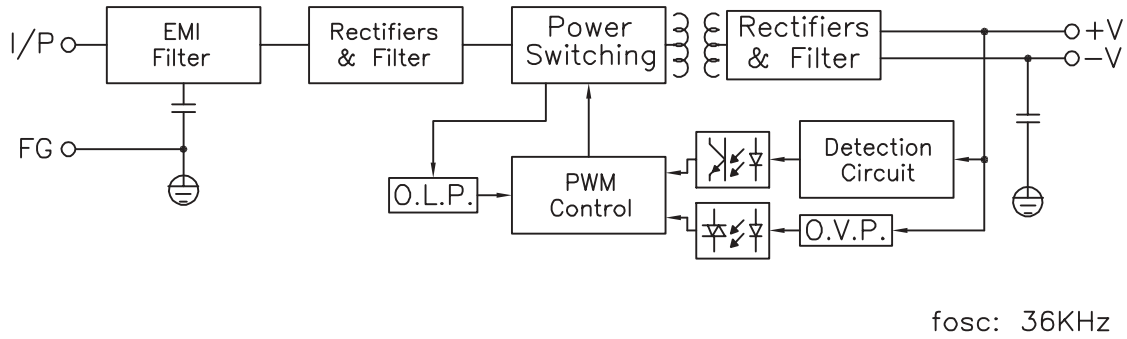


| | |
|-----------------------------------|---|
| DC output voltage | 5V |
| Output V. tolerance | ±2% |
| Output rated current | 8A |
| Output current range | 0-8A |
| Ripple & noise | 75mVp-p |
| Line regulation | ±0.5% |
| Load regulation | ±1% |
| DC output power | 40W |
| Efficiency | 72% / 115VAC |
| DC voltage adj. | ±10% rated output voltage |
| Input voltage range | 85~264VAC 47~63Hz; 120~370VDC |
| AC current | 1.2A/115V 0.6A/230V |
| Inrush current | cold start 30A/115V 60A/230V |
| Leakage current | <1mA/240VAC |
| Overload protection | 105%~150% type: Hiccup mode, recovers automatically after fault condition is removed |
| Over voltage protection | 115%~135% |
| Over temp. protection | --- |
| Temperature coefficient | ±0.03% / °C (0~50°C) |
| Set up, rise, hold up time | 800ms, 50ms, 15ms / 115VAC 300ms, 50ms, 60ms / 230VAC |
| Vibration | 10~500Hz, 2G 10min./1cycle (1 hour each axes) |
| Withstand voltage | I/P-O/P: 3KVAC, I/P-FG: 1.5KVAC, O/P-FG: 0.5KVAC, for 1 min |
| Isolation resistance | I/P-O/P, I/P-FG, O/P-FG:500VDC / 100M Ohms min. |
| Working temp., humidity | -10°C~+60% (refer to output derating curve), 20%-90% RH |
| Storage temp., humidity | -20°C~+85°C, 10%~95% RH |
| Dimensions | 5.08x3.86x1.50 inches (129x98x38 mm) |
| Weight | 0.99 lbs (0.45 Kg) |
| Safety standards | UL1012, UL1950, TUV EN60950 |
| EMC standards | CISPR22 (EN55022) CLASS B, EN61000-3-2,3; EN61000-4-2,3,4,5,6,8,11 |

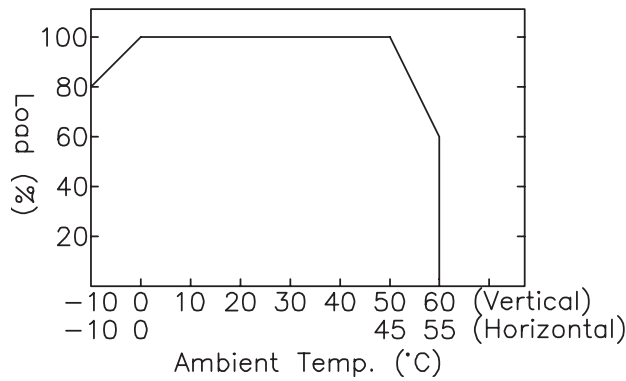
- Notes:
1. All parameters are specified at 230VAC input, rated load, 25°C 70% RH ambient
 2. Tolerance includes set up tolerance, line regulation, load regulation
 3. Ripple & noise are measured at 20MHz by using a 12" twisted pair terminated with a 0.1uF & 47 uF capacitor
 4. Line regulation is measured from low line to high line at rated load
 5. Load regulation is measure from 0% to 100% rated load

*V-Infinity reserves the right to make changes to its products or to discontinue any product or service without notice, and to advise customers to verify the most up-to-date product information before placing orders. V-Infinity assumes no liability or responsibility for customer's applications using V-Infinity products other than repair or replacing (at V-I's option) V-Infinity products not meeting V-I's published specifications. Nothing will be covered outside of standard product warranty.

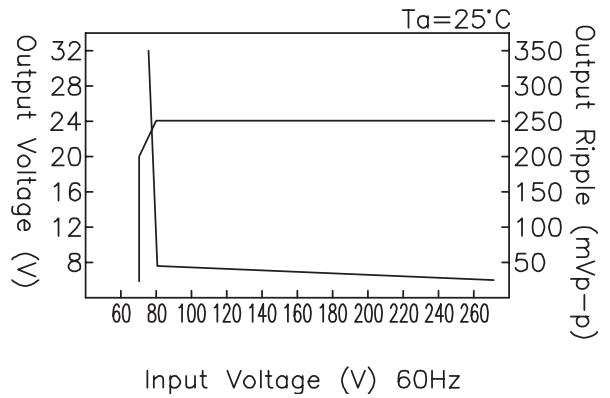
Block Diagram



Output Derating



Static Characteristics



Dimensions (mm)

Case: 903
 Terminal Pin No. Assignment
 PIN 1,2: AC INPUT
 PIN 3: FG
 PIN 4: DC OUTPUT -V
 PIN 5: DC OUTPUT +V

