

Features

- AC input range selectable by switch
- Short circuit, overload, over-voltage protected
- Cooling by free air convection
- 100% full load burn-in test
- Fixed switching frequency at 25KHz
- 2 year warranty

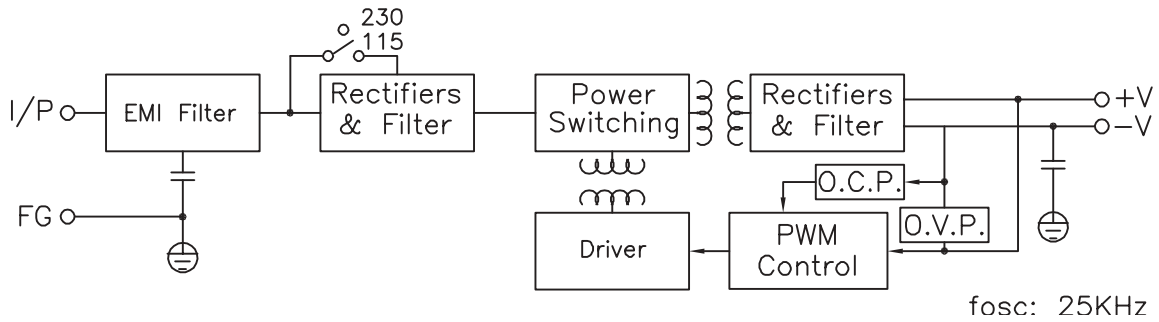


| | |
|-----------------------------------|---|
| DC output voltage | 24V |
| Output V. tolerance | ±1% |
| Output rated current | 6.5A |
| Output current range | 0-6.5A |
| Ripple & noise | 240mVp-p |
| Line regulation | ±0.2% |
| Load regulation | ±0.2% |
| DC output power | 156W |
| Efficiency | 85% |
| DC voltage adj. | 21-28V (± 10% rated output voltage) |
| Input voltage range | 88~132VAC / 176~264VAC selected by switch 47~63Hz; 248~370VDC |
| AC current | 3.2A/115V 1.6A/230V |
| Inrush current | cold start 35A |
| Leakage current | <3.5mA/240VAC |
| Overload protection | 105%~150% shutoff, AC recycle to restart |
| Over voltage protection | 125%~145% |
| Over temp. protection | --- |
| Temperature coefficient | ±0.03% / °C (0~50°C) |
| Set up, rise, hold up time | 100ms, 50ms, 20ms |
| Vibration | 10~500Hz, 2G 10min./1cycle (1 hour each axes) |
| Withstand voltage | I/P-O/P:3KVAC, I/P-FG:1.5KVAC, O/P-FG:0.5KVAC, for 1 min. |
| Isolation resistance | I/P-O/P, I/P-FG, O/P-FG:500VDC / 100M Ohms min. |
| Working temp., humidity | -10°C~+60% (refer to output derating curve), 20%-90% RH |
| Storage temp., humidity | -20°C~+85°C, 10%~95% RH |
| Dimensions | 7.83x4.33x1.97 inches (199x110x50 mm) |
| Weight | 1.76 lbs (0.8 Kg) |
| Safety standards | UL1950, TUV EN60950, UL 1012 |
| EMC standards | CISPR22 (EN55022), IEC1000-4-2,3,4,5 IEC1000-3-2 |

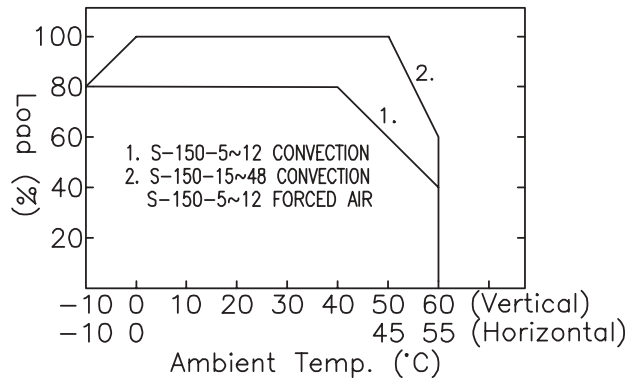
- Notes:
1. All parameters are specified at 230VAC input, rated load, 25°C 70% RH ambient
 2. Tolerance includes set up tolerance, line regulation, load regulation
 3. Ripple & noise are measured at 20MHz by using a 12" twisted pair terminated with a 0.1uF & 47 uF capacitor
 4. Line regulation is measured from low line to high line at rated load
 5. Load regulation is measure from 0% to 100% rated load

*V-Infinity reserves the right to make changes to its products or to discontinue any product or service without notice, and to advise customers to verify the most up-to-date product information before placing orders. V-Infinity assumes no liability or responsibility for customer's applications using V-Infinity products other than repair or replacing (at V-I's option) V-Infinity products not meeting V-I's published specifications. Nothing will be covered outside of standard product warranty.

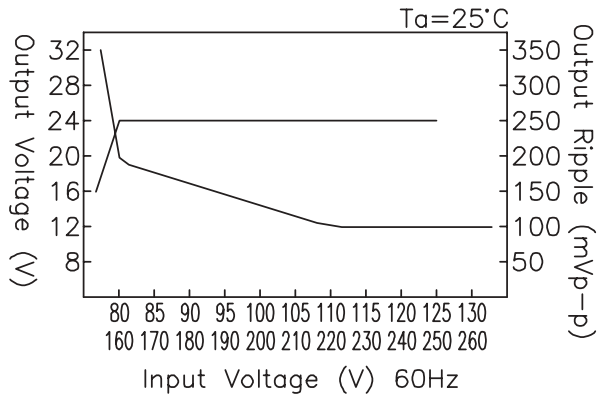
Block Diagram



Output Derating



Static Characteristics



Dimensions (mm)

Case: 906
Terminal Pin No. Assignment
PIN 1,2: AC INPUT
PIN 3: FG
PIN 4,5: DC OUTPUT -V
PIN 6,7: DC OUTPUT +V

