

**Features**

- AC input range selectable by switch
- Protections: Short circuit/Over load/Over voltage
- Cooling by free air convection
- 100% full load burn-in test
- Fixed switching frequency at 83KHz
- 2 years warranty

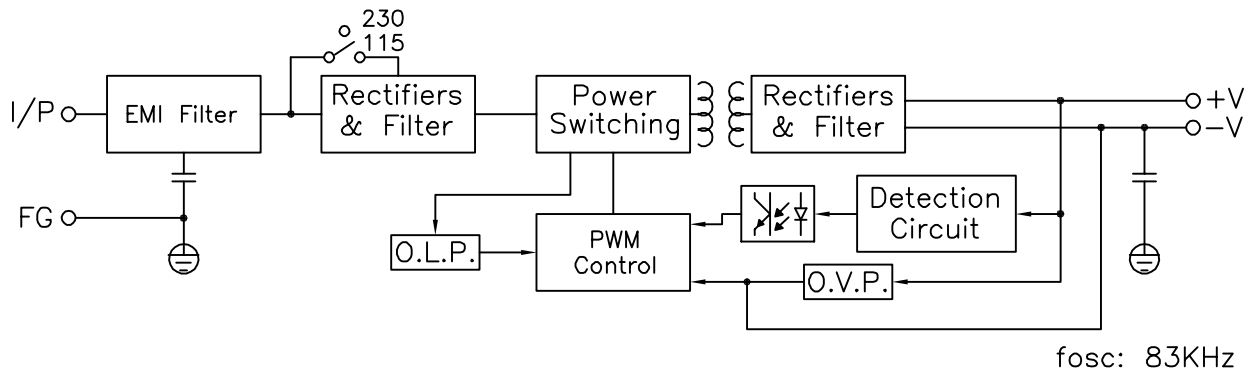


<b>DC output voltage</b>	5V
<b>Output V. tolerance</b>	±2%
<b>Output rated current</b>	20A
<b>Output current range</b>	0-20A
<b>Ripple &amp; noise</b>	100mVp-p
<b>Line regulation</b>	±0.5%
<b>Load regulation</b>	±1%
<b>DC output power</b>	100W
<b>Efficiency</b>	76%
<b>DC voltage adj.</b>	±10%
<b>Input voltage range</b>	88~132VAC/176~264VAC selected by manual switch, 47~63Hz; or 248~370VDC
<b>AC current</b>	2.4A/115V 1.2A/230V
<b>Inrush current</b>	cold start 30A/115V 60A/230V
<b>Leakage current</b>	<1mA/240AC
<b>Overload protection</b>	105%~150%, pulsing (hiccup mode), auto restart
<b>Over voltage protection</b>	115%~135%
<b>Over temp. protection</b>	---
<b>Temperature coefficient</b>	±0.03% / °C (0~50°C)
<b>Set up, rise, hold up time</b>	1s, 30ms, 15ms
<b>Vibration</b>	10~500Hz, 2G 10min./1 cycle (1 hour each axes)
<b>Withstand voltage</b>	I/P-O/P: 3KVAC, I/P-FG: 1.5KVAC, O/P-FG: 0.5KVAC, for 1 min.
<b>Isolation resistance</b>	I/P-O/P, I/P-FG, O/P-FG: 500VDC / 100M Ohms min.
<b>Working temp., humidity</b>	-10°C~+60°C (refer to output derating curve), 20%-90% RH
<b>Storage temp., humidity</b>	-20°C~+85°C, 10%-95% RH
<b>Dimensions</b>	7.83x3.86x1.5 inches (199x98x38mm), case 902
<b>Weight</b>	1.43 lbs (0.65 Kgs)
<b>Safety standards</b>	UL1012, EN60950 (IEC950, UL1950) approved
<b>EMC standards</b>	CISPR22 (EN55022), IEC801-2,3,4 IEC555-2 verification

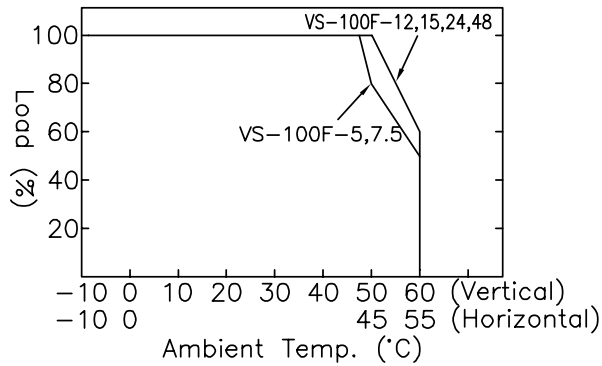
- Notes:
1. All parameters are specified at 230VAC input, rated load, 25°C, 70% RH ambient
  2. Tolerance includes set up tolerance, line regulation, load regulation
  3. Ripple & noise are measured at 20MHz by using a 12" twisted pair terminated with a 0.1uF & 47 uF capacitor
  4. Line regulation is measured from low line to high line at rated load
  5. Load regulation is measure from 0% to 100% rated load

\*V-Infinity reserves the right to make changes to its products or to discontinue any product or service without notice, and to advise customers to verify the most up-to-date product information before placing orders. V-Infinity assumes no liability or responsibility for customer's applications using V-Infinity products other than repair or replacing (at V-I's option) V-Infinity products not meeting V-I's published specifications. Nothing will be covered outside of standard product warranty.

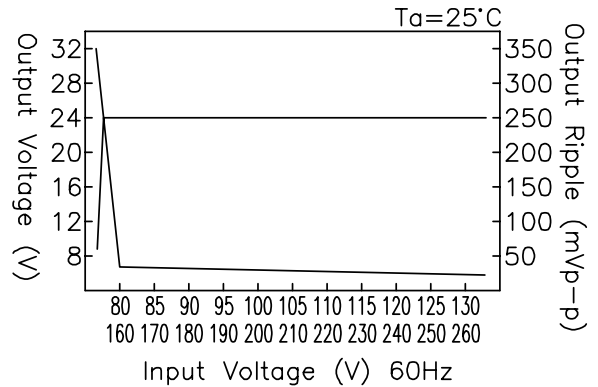
## Block Diagram



## Output Derating



## Static Characteristics



## Dimensions (mm)

Case 902:  
Terminal Pin No. Assignment  
PIN 1,2: AC INPUT  
PIN 3: FG  
PIN 4,5: DC OUTPUT -V  
PIN 6,7: DC OUTPUT +V

