

# SHINDENGEN

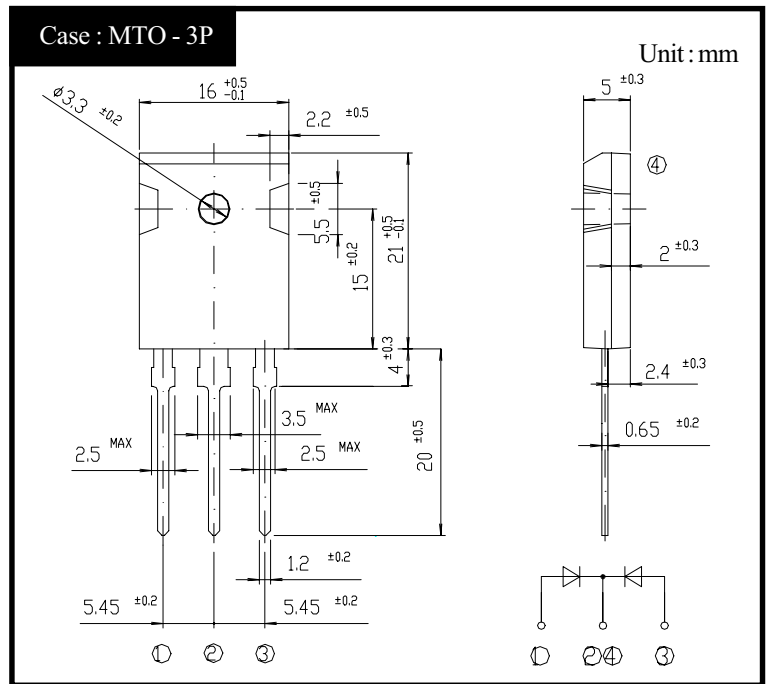
## Schottky Rectifiers (SBD)

Dual

# S60HC3

## 30V 60A

### OUTLINE DIMENSIONS



### RATINGS

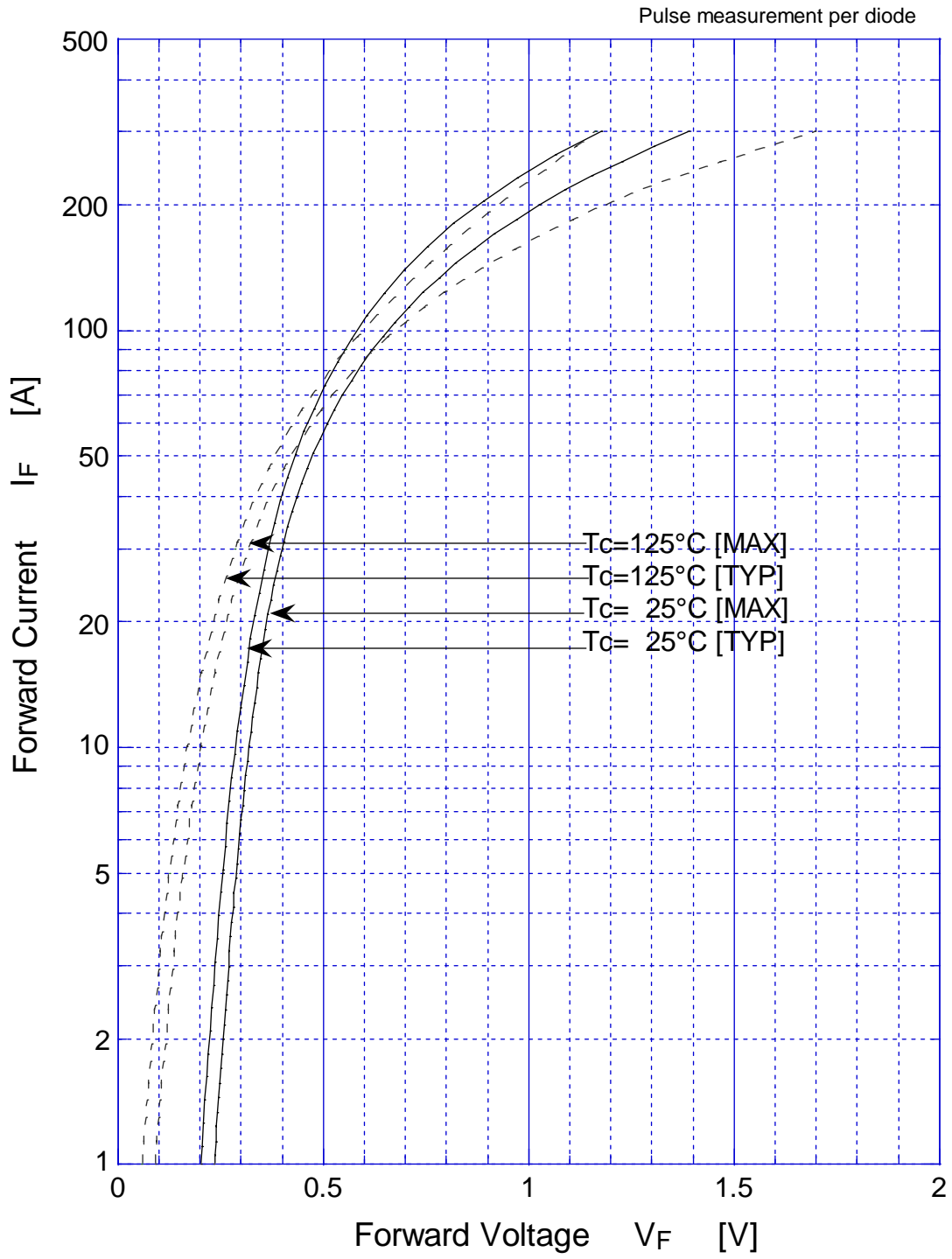
● Absolute Maximum Ratings ( T<sub>c</sub>=25°C, unless otherwise specified )

Item	Symbol	Conditions	Ratings	Unit
Storage Temperature	T <sub>stg</sub>		-55 ~ 125	°C
Operating Junction Temperature	T <sub>j</sub>		125	°C
Maximum Reverse Voltage	V <sub>RM</sub>		30	V
Average Rectified Forward Current	I <sub>O</sub>	50Hz sine wave, R-load, Rating for each diode I <sub>O</sub> /2, T <sub>c</sub> =104°C	60	A
Peak Surge Forward Current	I <sub>FSM</sub>	50Hz sine wave, Non-repetitive 1 cycle peak value, T <sub>j</sub> =25°C	550	A
Mounting Torque	TOR	(Recommended torque : 0.5N·m)	0.8	N·m

● Electrical Characteristics ( T<sub>c</sub>=25°C, unless otherwise specified )

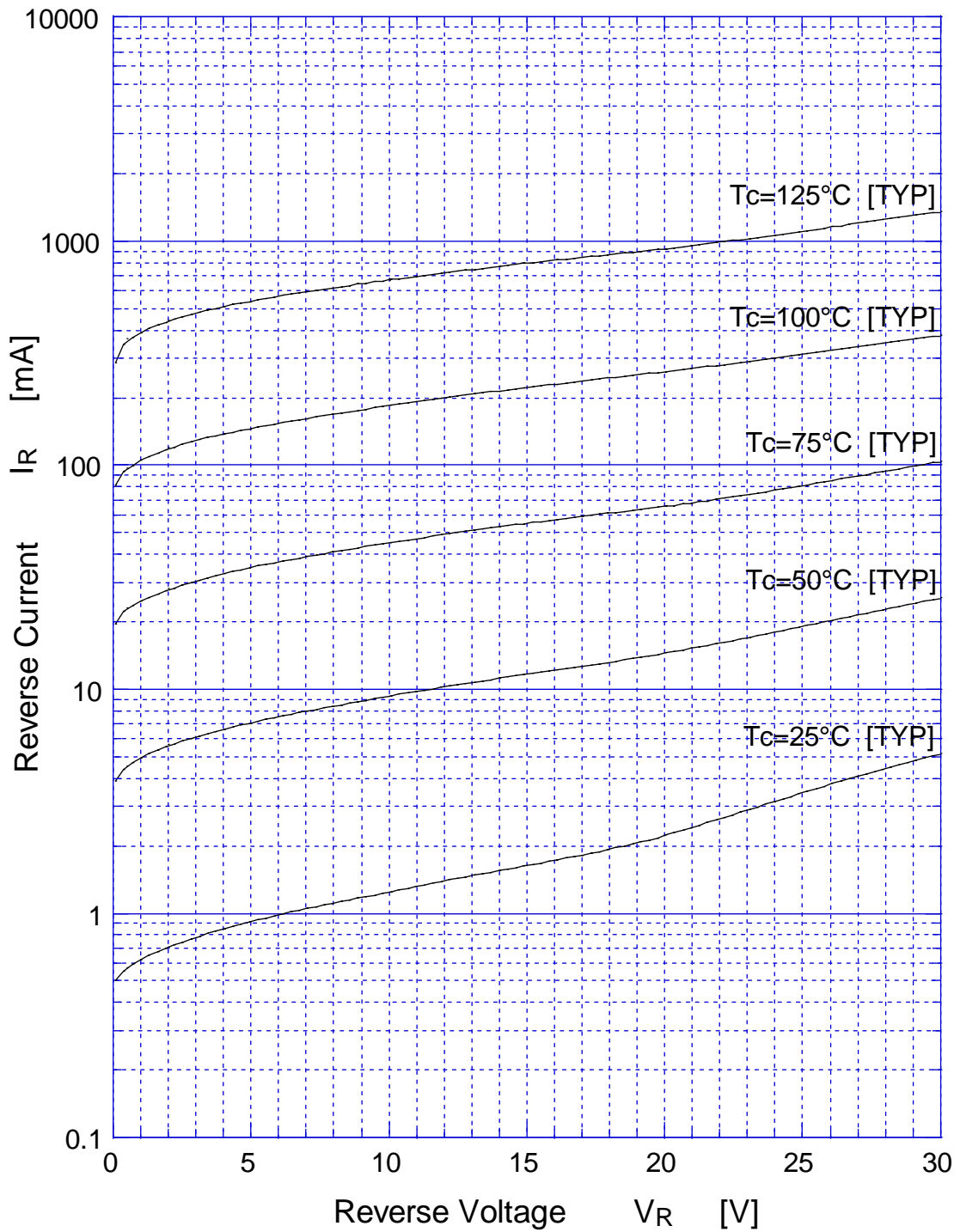
Item	Symbol	Conditions	Ratings	Unit
Forward Voltage	V <sub>F</sub>	I <sub>F</sub> =30A, Pulse measurement, Rating of per diode	Max 0.4	V
Reverse Current	I <sub>R</sub>	V <sub>R</sub> =30V, Pulse measurement, Rating of per diode	Max 20	mA
Junction Capacitance	C <sub>j</sub>	f=1MHz, V <sub>R</sub> =10V, Rating of per diode	Typ 1100	pF
Thermal Resistance	θ <sub>jc</sub>	junction to case	Max 0.5	°C/W

# S60HC3 Forward Voltage

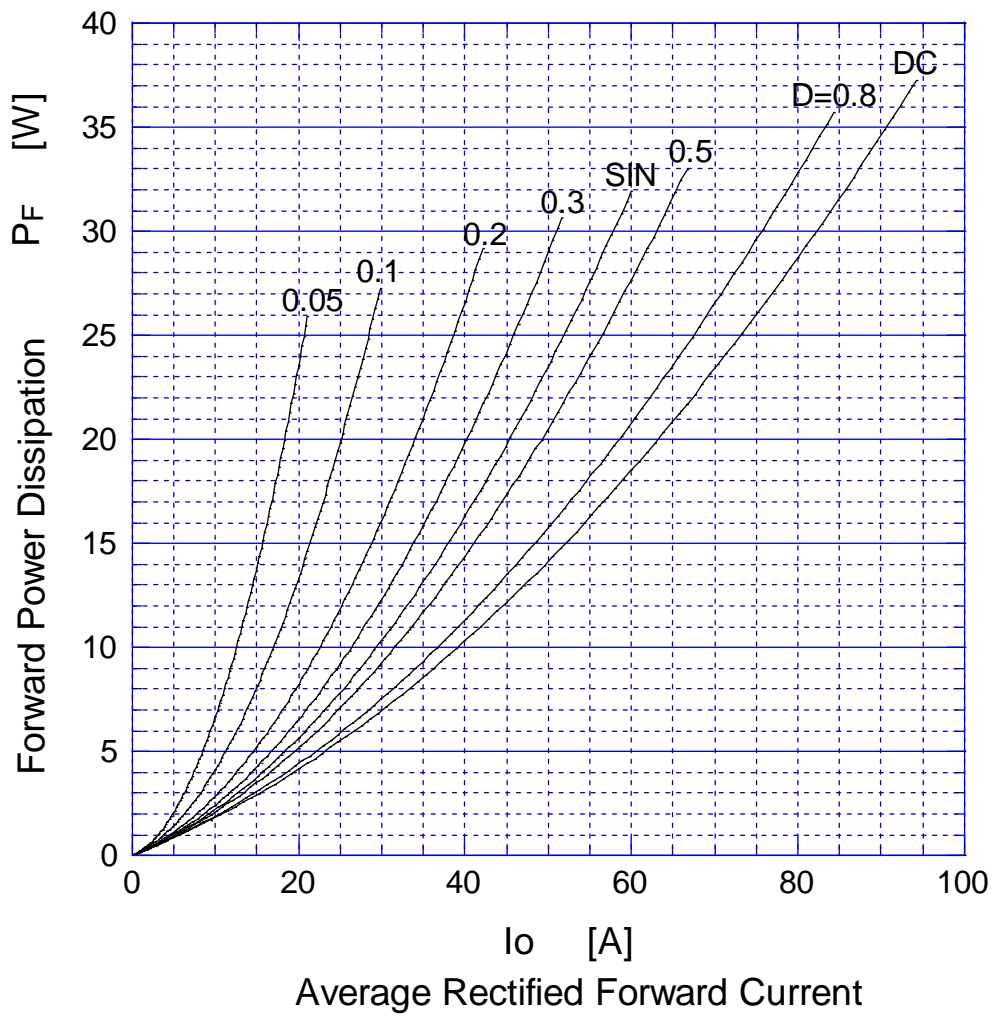


# S60HC3 Reverse Current

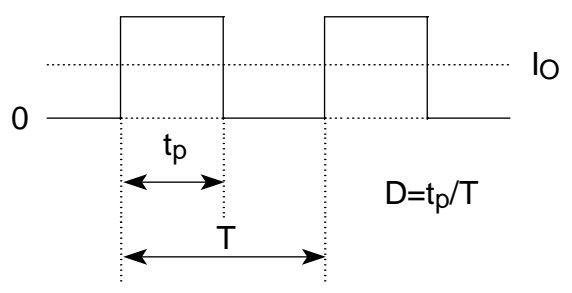
Pulse measurement per diode



# S60HC3 Forward Power Dissipation

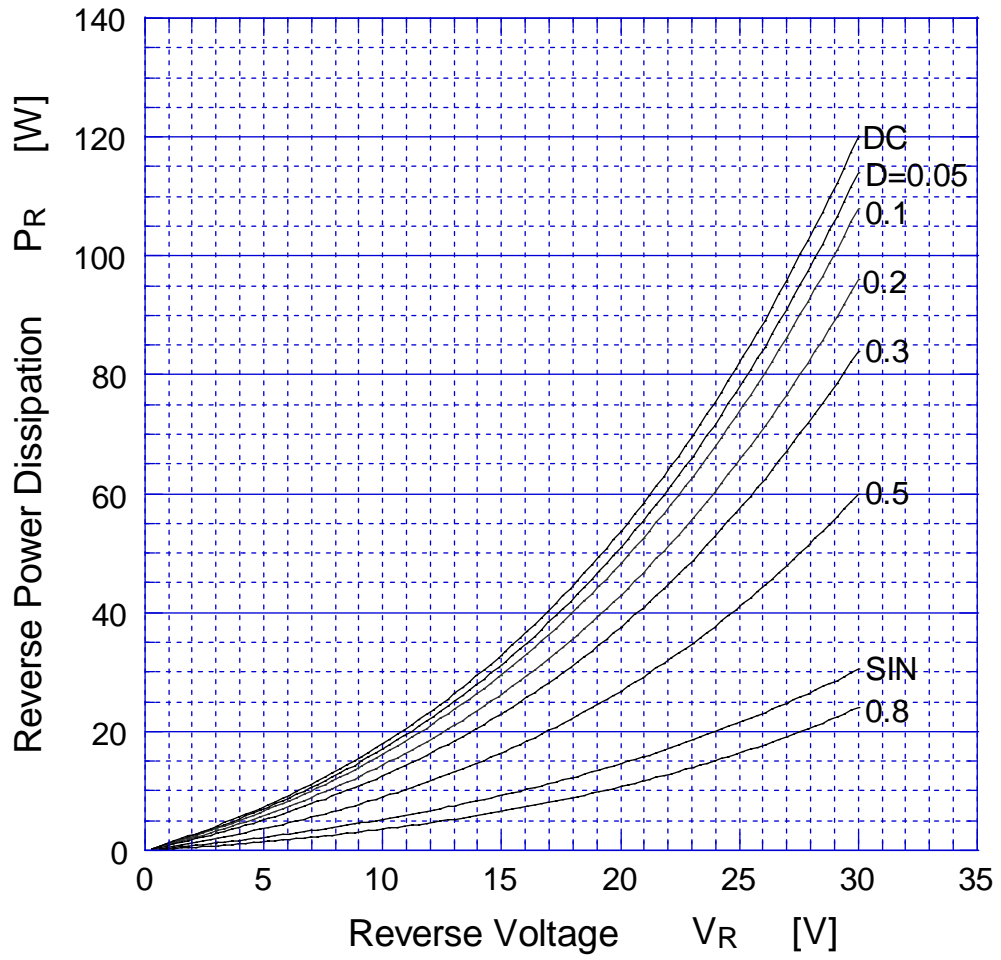


$T_j = 125^\circ\text{C}$

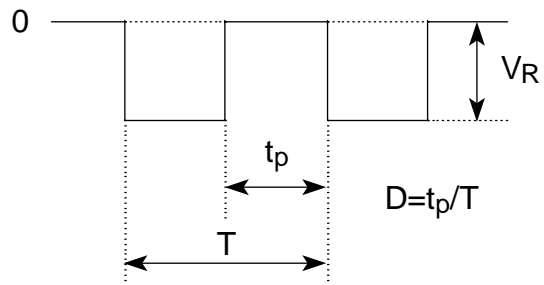


# S60HC3

# Reverse Power Dissipation

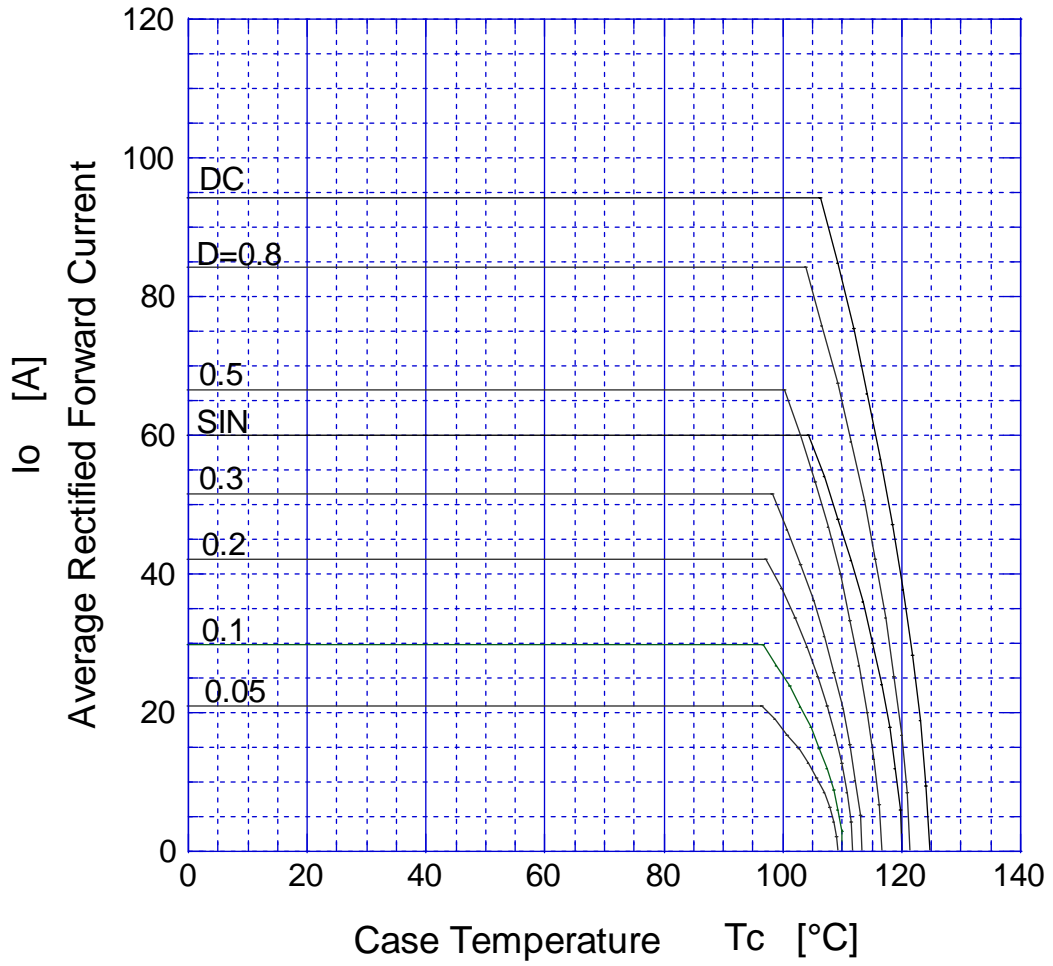


$T_j = 125^\circ\text{C}$

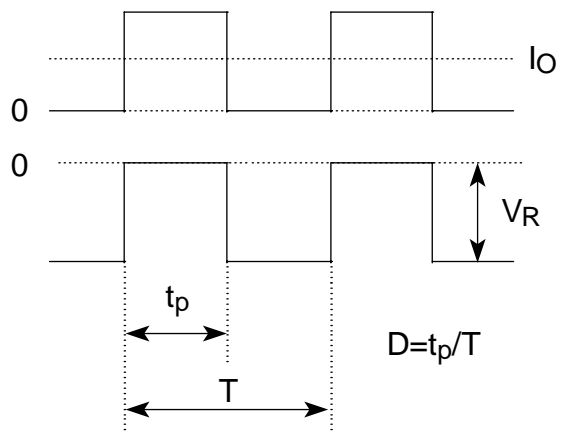


# S60HC3

# Derating Curve

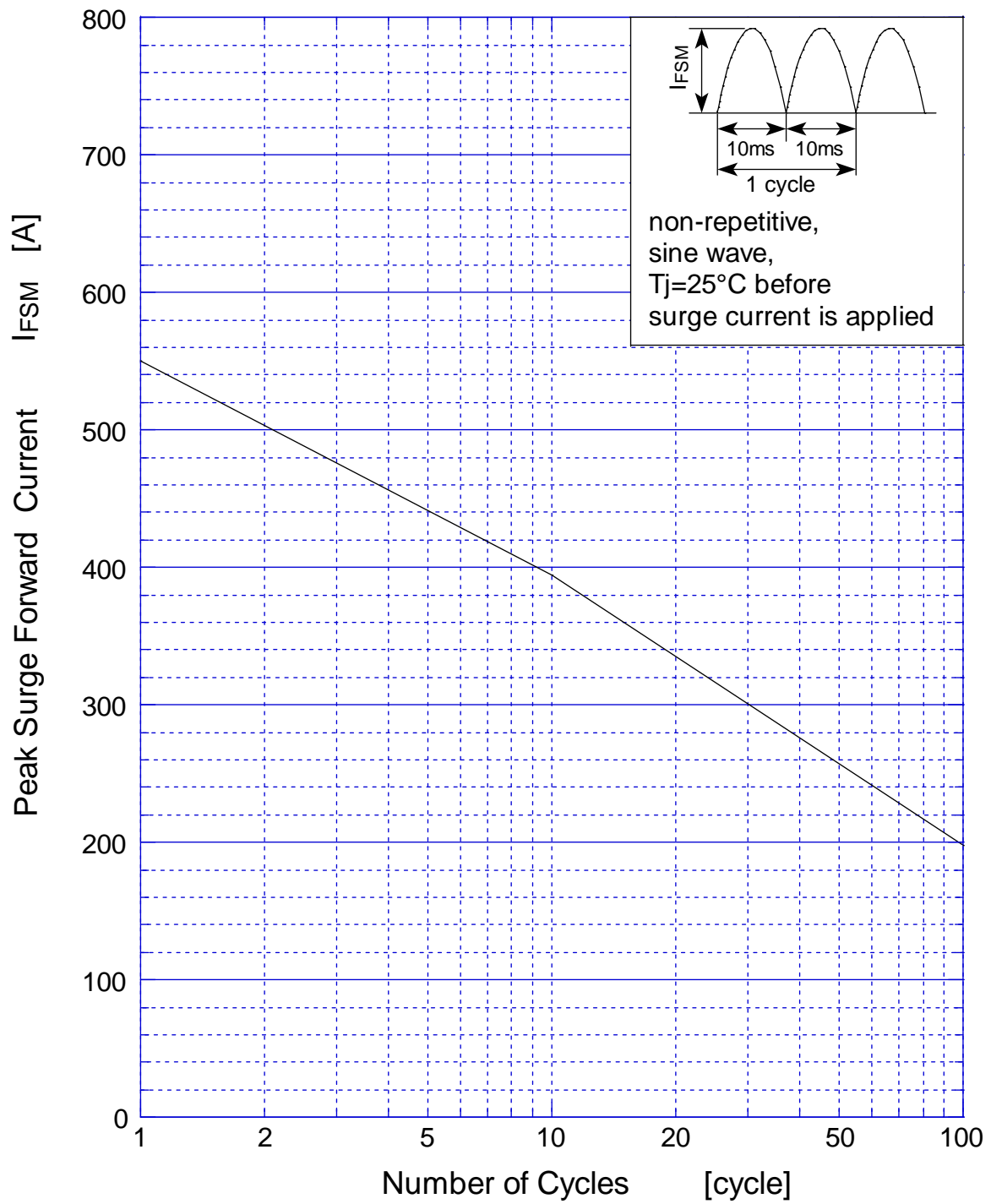


$V_R = 15V$



# S60HC3

## Peak Surge Forward Capability



# S60HC3 Junction Capacitance

