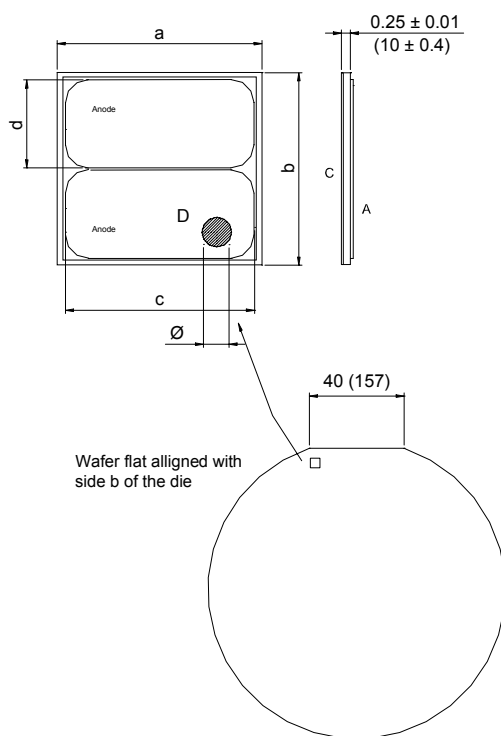


International  
**IOR** Rectifier

SC202.....5.. Series

SCHOTTKY DIE 200 x 200 mils (Monolithic Dual)



NOTES:

1. ALL DIMENSIONS ARE SHOWN IN MILLIMETERS (MILS).

2. CONTROLLING DIMENSION: (MILS).

3. DIMENSIONS AND TOLERANCES:

$a = 5.08 + 0, - 0.01$

$(200 + 0, - 0.4)$

$b = 5.08 + 0, - 0.01$

$(200 + 0, - 0.4)$

$c = 4.92 + 0, - 0.01$

$(193 + 0, - 0.4)$

$d = 2.43 + 0, - 0.01$

$(95 + 0, - 0.4)$

$\emptyset = 1 \pm 0.15$

$(40 \pm 6)$

4. LETTER DESIGNATION:

A = Anode (Top Metal)

C = Cathode (Back Metal)

D = Reject Ink Dot (only on non-conforming dies)

5. SAWING:

Recommended Blade

SEMITEC S1025 QS00 Blade

Sawing Street

$0.05 + 0, - 0.005$

$(2 + 0, - 0.2)$

NOT TO SCALE

## SC202.....5. Series

Preliminary Data Sheet I0508J rev. A 07/00

International  
IR Rectifier

## Electrical Characteristics

Device #	T <sub>J</sub> Max. (°C)	V <sub>R</sub> (V)	Max. I <sub>R</sub> @ 25°C (mA)	(*) Max. V <sub>F</sub> @ I <sub>F</sub> (V)
SC202 <b>S</b> 020A5	150	20	8	0.42 V @ 40A per die, T <sub>J</sub> = 25°C
SC202 <b>S</b> 030A5	150	30	2	0.46V @ 30A per die, T <sub>J</sub> = 25°C
SC202 <b>S</b> 045A5	150	45	2	0.51 V @ 20A per die, T <sub>J</sub> = 25°C
SC202 <b>S</b> 060A5	150	60	2	0.54V @ 15A per die, T <sub>J</sub> = 25°C
SC202 <b>H</b> 100A5	150	100	0.55	0.69 V @ 10A per die, T <sub>J</sub> = 25°C

(\*) For reference only, V<sub>F</sub> do not include voltage drop across wire bonding resistance

## Mechanical Data

Device #		Metal Thickness Front Metal			Metal Thickness Back Metal		
SC202..... <b>A</b> 5..	Bondable	–	Al/Si 30 kÅ	–	Ti 1 kÅ	Ni 4 kÅ	Ag 6 kÅ

Visual Inspection : see IR internal Spec. # 6373-2064

Recommended Storage Environment: Store in original container, in dessicated nitrogen, with no contamination.

Shelf life for parts stored in above condition is 2 years.

If the storage is done in normal atmosphere shelf life is reduced to six months.

## Packaging

Device #	Description	Minimum Order Quantity Wafer in Sale Package
SC202..... <b>5B</b> .	Inked Probed Unsaun Wafer (Wafer in Box)	48

Ordering Information Table

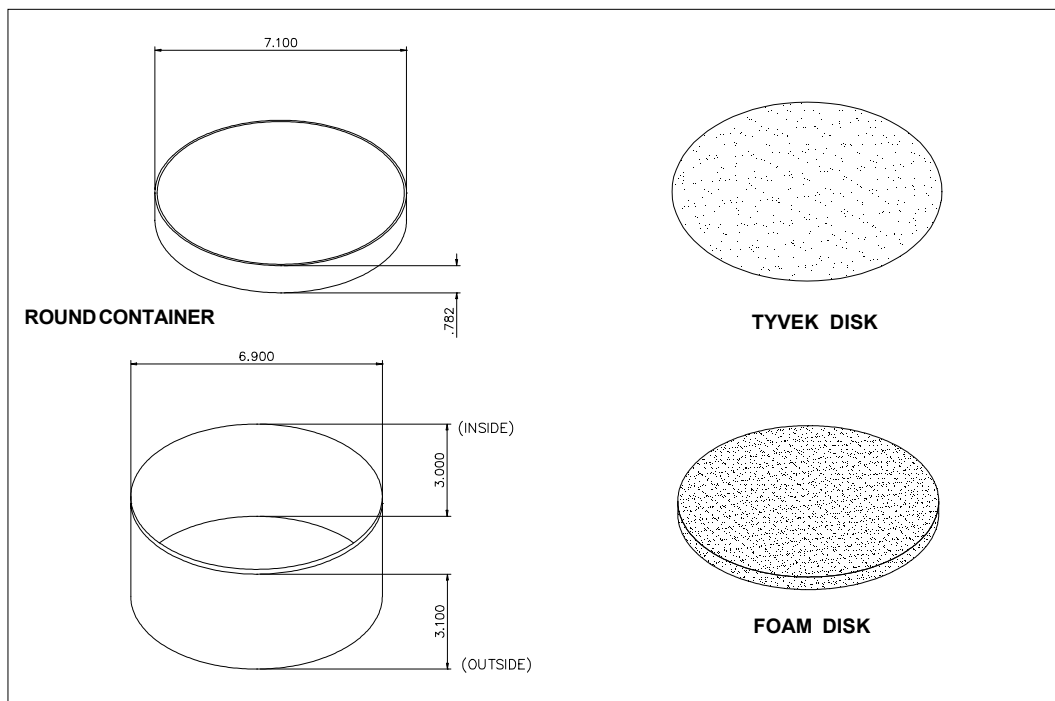
Device Code							
SC	202	S	060	A	5	B	T
①	②	③	④	⑤	⑥	⑦	⑧

- 1** - Schottky Die
- 2** - Chip Dimension in Mils: 200 x 200 Dual Monolithic
- 3** - Process (see Electrical Characteristics Table)
- 4** - Voltage code: Code =  $V_{RRM}$
- 5** - Chip surface metallization (Al)
- 6** - Wafer Diameter in inches
- 7** - Packaging: B = inked probed unsawn wafers (in box)
- 8** - Thickness (omitted if 14 mils, T for 10 mils Die)

H = 830 Process  
 R = OR'ing Process  
 S = Standard Process

Wafer in Box



SC202.....5. Series

Preliminary Data Sheet I0508J rev. A 07/00

International  
**IOR** Rectifier

International  
**IOR** Rectifier

**WORLD HEADQUARTERS:** 233 Kansas St., El Segundo, California 90245 U.S.A. Tel: (310) 322 3331. Fax: (310) 322 3332.  
**EUROPEAN HEADQUARTERS:** Hurst Green, Oxted, Surrey RH8 9BB, U.K. Tel: ++ 44 1883 732020. Fax: ++ 44 1883 733408.  
**IR CANADA:** 15 Lincoln Court, Brampton, Markham, Ontario L6T3Z2. Tel: (905) 453 2200. Fax: (905) 475 8801.  
**IR GERMANY:** Saalburgstrasse 157, 61350 Bad Homburg. Tel: ++ 49 6172 96590. Fax: ++ 49 6172 965933.  
**IR ITALY:** Via Liguria 49, 10071 Borgaro, Torino. Tel: ++ 39 11 4510111. Fax: ++ 39 11 4510220.  
**IR FAR EAST:** K&H Bldg., 2F, 30-4 Nishi-Ikebukuro 3-Chome, Toshima-Ku, Tokyo, Japan 171. Tel: 81 3 3983 0086.  
**IR SOUTHEAST ASIA:** 1 Kim Seng Promenade, Great World City West Tower, 13-11, Singapore 237994. Tel: ++ 65 838 4630.  
**IR TAIWAN:** 16 Fl. Suite D.207, Sec. 2, Tun Haw South Road, Taipei, 10673, Taiwan. Tel: 886 2 2377 9936.

<http://www.irf.com>

Fax-On-Demand: +44 1883 733420

Data and specifications subject to change without notice.