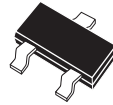


**CMPZ4614  
THRU  
CMPZ4627**

**SURFACE MOUNT  
350mW LOW NOISE  
SILICON ZENER DIODE  
5% TOLERANCE**



**SOT-23 CASE**

**Central™**  
**Semiconductor Corp.**

**DESCRIPTION:**

The CENTRAL SEMICONDUCTOR CMPZ4614 Series types are high quality silicon zener diodes designed for low leakage, low current and low noise applications.

**MARKING CODE: CONSULT FACTORY**

**MAXIMUM RATINGS:** ( $T_A=25^\circ\text{C}$  unless otherwise noted)

Power Dissipation  
Operating and Storage Temperature

**SYMBOL**

$P_D$   
 $T_J, T_{stg}$

350  
-65 to +150

**UNITS**

mW  
 $^\circ\text{C}$

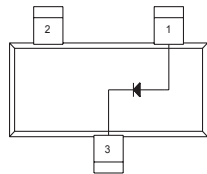
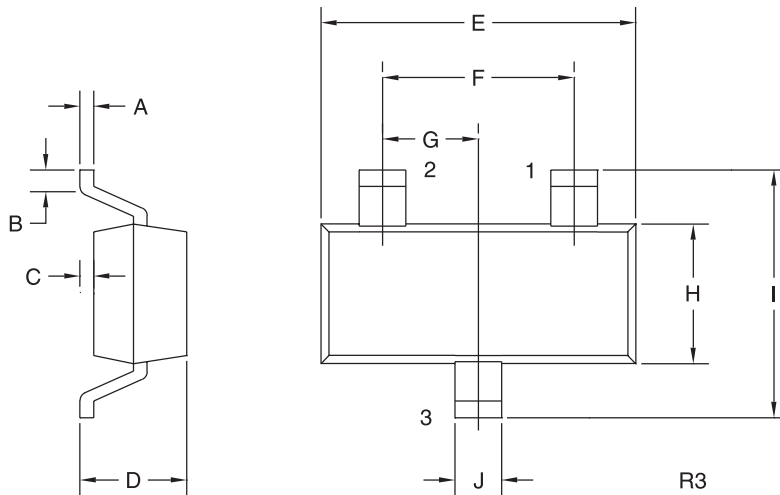
**ELECTRICAL CHARACTERISTICS:** ( $T_A=25^\circ\text{C}$  unless otherwise noted)  $V_F=1.0\text{V MAX @ } I_F=200\text{mA}$  FOR ALL TYPES.

TYPE NO.	ZENER VOLTAGE	TEST CURRENT	MAXIMUM ZENER IMPEDANCE	MAXIMUM REVERSE LEAKAGE CURRENT		MAXIMUM ZENER CURRENT	MAXIMUM NOISE DENSITY
	$V_Z @ I_{ZT}$	$I_{ZT}$	$Z_{ZT} @ I_{ZT}$	$I_R @ V_R$		$I_{ZM}$	$N_D @ I_{ZT}$
	VOLTS	$\mu\text{A}$	$\Omega$	$\mu\text{A}$	VOLTS	mA	$\mu\text{V}/\sqrt{\text{Hz}}$
CMPZ4614*	1.8	250	1200	7.5	1.0	120	1.0
CMPZ4615*	2.0	250	1250	5.0	1.0	110	1.0
CMPZ4616*	2.2	250	1300	4.0	1.0	100	1.0
CMPZ4617*	2.4	250	1400	2.0	1.0	95	1.0
CMPZ4618*	2.7	250	1500	1.0	1.0	90	1.0
CMPZ4619	3.0	250	1600	0.8	1.0	85	1.0
CMPZ4620	3.3	250	1650	7.5	1.5	80	1.0
CMPZ4621	3.6	250	1700	7.5	2.0	75	1.0
CMPZ4622*	3.9	250	1650	5.0	2.0	70	1.0
CMPZ4623	4.3	250	1600	4.0	2.0	65	1.0
CMPZ4624*	4.7	250	1550	10	3.0	60	1.0
CMPZ4625	5.1	250	1500	10	3.0	55	2.0
CMPZ4626	5.6	250	1400	10	4.0	50	4.0
CMPZ4627	6.2	250	1200	10	5.0	45	5.0

\* Available on special order only, please consult factory.

R6 ( 4-March 2004)

SOT-23 CASE - MECHANICAL OUTLINE



**LEAD CODE:**

- 1) Anode
- 2) No Connection
- 3) Cathode

**MARKING**

**CODE: Consult Factory**

SYMBOL	INCHES		MILLIMETERS	
	MIN	MAX	MIN	MAX
A	0.003	0.007	0.08	0.18
B	0.006	-	0.15	-
C	-	0.005	-	0.13
D	0.035	0.043	0.89	1.09
E	0.110	0.120	2.80	3.05
F	0.075		1.90	
G	0.037		0.95	
H	0.047	0.055	1.19	1.40
I	0.083	0.098	2.10	2.49
J	0.014	0.020	0.35	0.50

SOT-23 (REV: R3)

R6 ( 4-March 2004)