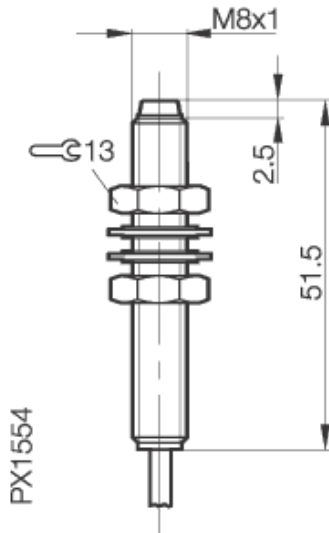


BAW M08EI-UAD25F-BP03
Inductive Distance Sensors

Working range 0,5...2,5 mm
Output signal 0...10 V

BALLUFF
sensors worldwide



Electrical data:

Connection	cable
Rated operational voltage DC	24 V
Rated insulation voltage (Ui)	250 AC
Electrical type	DC
No-load supply current I _o at le	8 mA
Supply voltage ripple	15 %
Switching element function	0...10 V
Supply voltage max. (U _b)	30 V
Supply voltage min. (U _b)	15 V
Output voltage sl max	10 V
Output voltage sl min	0 V
Cutoff frequency (-3dB output amplitude)	1000 Hz
Load resistance min (RL)	2000 Ohm
Output voltage at se	5 V
Temperature compensation	no
Linear range max (sl)	2,5 mm
Linear range min (sl)	0,5 mm
Non-linearity	±60 µm

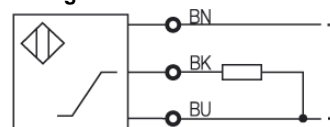
General data:

Supply voltage indicator	no
Degree of protection IP	IP 67
Insulation class	2
Polarity reversal resistant	yes
Protected against reversal	yes

Mechanical data:

Ambient temperature min (Ta)	-10 °C
Sensing face material	PBTP
Housing material	corrosion resistance Steel
Cable sheath material	PUR
Repeatability	3 %
Cable diameter D	3,1 mm
Working area max (sa)	2,5 mm
Working area min (sa)	0,5 mm
Time delay before available max	1 ms
Measurement velocity	10 m/s
Opt. working temperature max.	50 °C
Opt. working temperature min.	10 °C
Temperature coefficient max.	8,0 µm/K
Temperature coefficient min.	0,0 µm/K
Temperature coefficient typ.	-1,5 µm/K
Repeat accuracy	±10,0 µm
Adjustment indicator	no
Midpoint of linear range (se)	1,5 mm
Cable code designation	LiY-11Y-0
Cable length	3 m
Mounting	non flush mountable
Ambient temperature max (Ta)	70 °C

Wiring:



www.balluff.com

Balluff Europe: +49 7158 173 -0
Balluff USA: 1-800-54 3-83 90
Balluff Asia: +86 21-50 64 41 31

Online Productinformation
2009-03-16