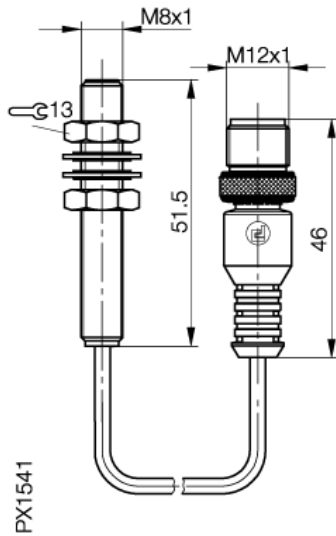


BAW M08EI-UAD15B-BP00,2-GS04
Inductive Distance Sensors

Working range 0,5...1,5 mm
 Output signal 0...10 V

BALLUFF
sensors worldwide



Electrical data:

Output voltage sl max	10 V
Output voltage sl min	0 V
Cutoff frequency (-3dB output amplitude)	1000 Hz
Load resistance min (RL)	2000 Ohm
Output voltage at se	5 V
Temperature compensation	no
Linear range max (sl)	1,5 mm
Linear range min (sl)	0,5 mm
Non-linearity	±3 µm
Connection	cable with connector
Rated operational voltage DC	24 V
Rated insulation voltage (Ui)	250 AC
Electrical type	DC
No-load supply current Io at le	8 mA
Supply voltage ripple	15 %
Switching element function	0...10 V
Supply voltage max. (Ub)	30 V
Supply voltage min. (Ub)	15 V

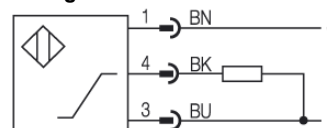
General data:

Supply voltage indicator	no
Degree of protection IP	IP 67
Insulation class	2
Recommended connector	BKS_19
Polarity reversal resistant	yes
Protected against reversal	yes

Mechanical data:

Midpoint of linear range (se)	1 mm
Cable code designation	LifY-11Y-0
Cable length	0,2 m
Connection type	M12x1-S04
Mounting	flush mountable
Ambient temperature max (Ta)	70 °C
Ambient temperature min (Ta)	-10 °C
Sensing face material	PBTP
Housing material	corrosion resistance Steel
Cable sheath material	PUR
Repeatability	3 %
Cable diameter D	3 mm
Midpoint tolerance at se	±0,10 mm
Working area max (sa)	1,5 mm
Working area min (sa)	0,5 mm
Time delay before available max	1 ms
Adjustment indicator	no

Wiring:



Pinout:



www.balluff.com

Balluff Europe: +49 7158 173 -0
 Balluff USA: 1-800-54 3-83 90
 Balluff Asia: +86 21-50 64 41 31

Online Productinformation
 2009-03-16