

DATA SHEET

74F646, 74F646A

Octal transceiver/register, non-inverting
(3-State)

74F648, 74F648A

Octal transceiver/register, inverting
(3-State)

Product specification

1990 Sep 25

IC15 Data Handbook

Transceivers/registers

74F646/A/74F648/A

FEATURES

- Combines 74F245 and two 74F374 type functions in one chip
- High impedance base inputs for reduced loading (70 μ A in high and low states)
- Independent registers for A and B buses
- Multiplexed real-time and stored data
- Choice of non-inverting and inverting data paths
- Controlled ramp outputs for 74F646A/74F648A
- 3-state outputs
- 300 mil wide 24-pin slim dip package

DESCRIPTION

The 74F646/74F646A and 74F648/74F648A transceivers/registers consist of bus transceiver circuits with 3-state outputs, D-type flip-flops, and control circuitry arranged for multiplexed transmission of data directly from the input bus or the internal registers. Data on the A or B bus will be clocked into the registers as the appropriate clock pin goes high. Output enable (\overline{OE}) and DIR pins are provided to control the transceiver function. In the transceiver mode, data present at the high impedance port may be stored in either the A or B register or both.

The select (SAB, SBA) pins determine whether data is stored or transferred through the device in real-time. The DIR determines which bus will receive data when the \overline{OE} is active low. In the isolation mode (\overline{OE} = high), data from bus A may be stored in the B register and/or data from bus B may be stored in the A register. When an output function is disabled, the input function is still enabled and may be used to store and transmit data. Only one of the two buses, A or B may be driven at a time.

TYPE	TYPICAL f_{max}	TYPICAL SUPPLY CURRENT (TOTAL)
74F646/74F648	115MHz	140mA
74F646A/74F648A	185MHz	105mA

ORDERING INFORMATION

DESCRIPTION	ORDER CODE	PKG DWG #
	COMMERCIAL RANGE	
	$V_{CC} = 5V \pm 10\%$, $T_{amb} = 0^{\circ}C$ to $+70^{\circ}C$	
24-pin plastic slim DIP (300mil)	N74F646N, N74F646AN, N74F648N, N74F648AN	SOT222-1
24-pin plastic SOL	N74F646D, N74F646AD, N74F648D, N74F648AD	SOT137-1

INPUT AND OUTPUT LOADING AND FAN OUT TABLE

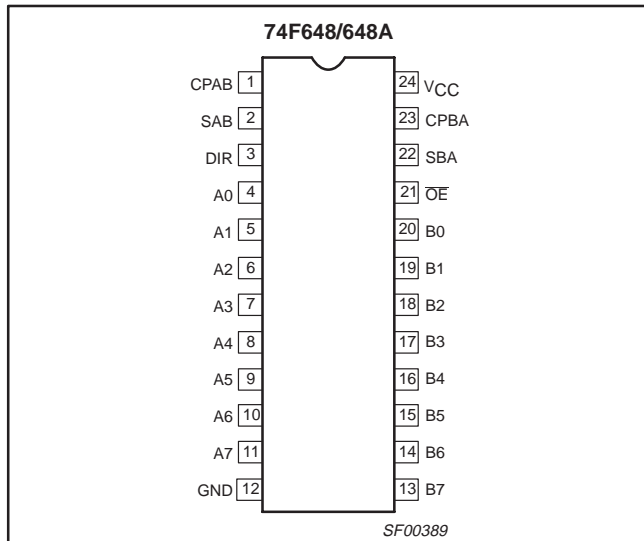
PINS	DESCRIPTION	74F (U.L.) HIGH/LOW	LOAD VALUE HIGH/LOW
A0 – A7, B0 – B7	A and B inputs	3.5/0.116	70 μ A/70 μ A
CPAB	A-to-B clock input	1.0/0.033	20 μ A/20 μ A
CPBA	B-to-A clock input	1.0/0.033	20 μ A/20 μ A
SAB	A-to-B select input	1.0/0.033	20 μ A/20 μ A
SBA	B-to-A select input	1.0/0.033	20 μ A/20 μ A
DIR	Data flow directional control enable input	1.0/0.033	20 μ A/20 μ A
\overline{OE}	Output enable input	1.0/0.033	20 μ A/20 μ A
A0 – A7, B0 – B7	A, B outputs for N74F646A/N74F648A	750/80	15mA/48mA
A0 – A7, B0 – B7	A, B outputs for N74F646/N74F648	750/106.7	15mA/64mA

NOTE: One (1.0) FAST unit load is defined as: 20 μ A in the high state and 0.6mA in the low state.

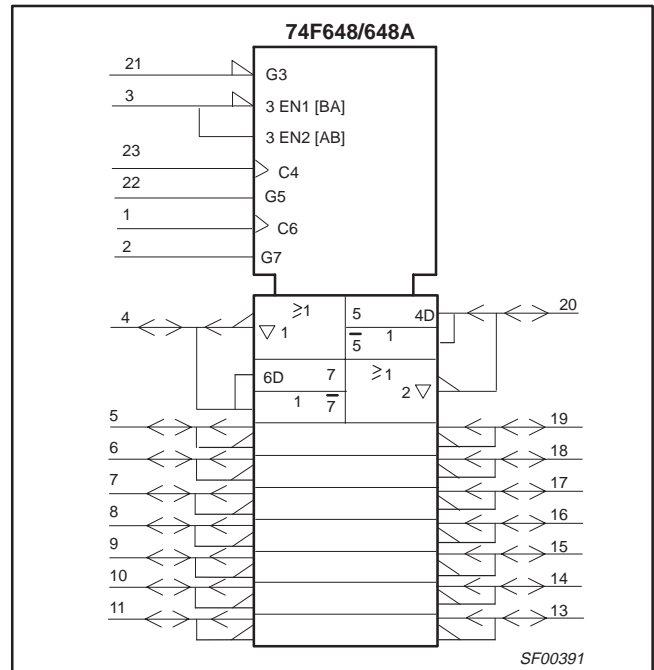
Transceivers/registers

74F646/A/74F648/A

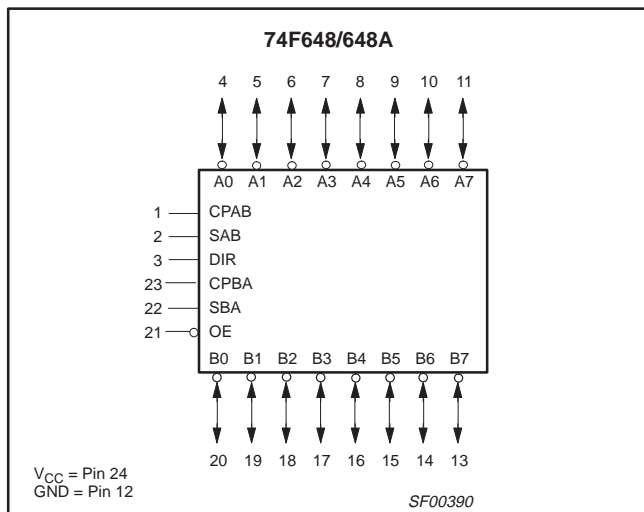
PIN CONFIGURATION



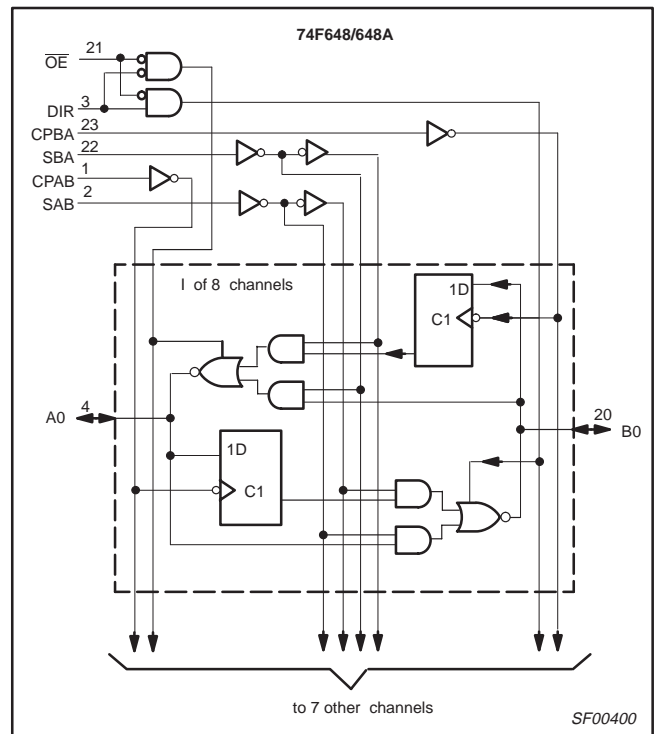
IEC/IEEE SYMBOL



LOGIC SYMBOL



LOGIC DIAGRAM



Transceivers/registers

74F646/A/74F648/A

FUNCTION TABLE

INPUTS						DATA I/O		OPERATING MODE	
OE	DIR	CPAB	CPBA	SAB	SBA	An	Bn	74F646/74F646A	74F648/74F648A
X	X	↑	X	X	X	Input	Unspecified*	Store A, B unspecified*	Store A, B unspecified*
X	X	X	↑	X	X	Unspecified*	Input	Store B, A unspecified*	Store B, A unspecified*
H	X	↑	↑	X	X	Input	Input	Store A and B data	Store A and B data
H	X	H or L	H or L	X	X	Input	Input	Isolation, hold storage	Isolation, hold storage
L	L	X	X	X	L	Output	Input	Real time B data to A bus	Real time \bar{B} data to A bus
L	L	X	H or L	X	H	Output	Input	Stored B data to A bus	Stored \bar{B} data to A bus
L	H	X	X	L	X	Input	Output	Real time A data to B bus	Real time \bar{A} data to B bus
L	H	H or L	X	H	X	Input	Output	Stored A data to B bus	Stored \bar{A} data to B bus

NOTES:

1. H = High-voltage level
2. L = Low-voltage level
3. X = Don't care
4. ↑ = Low-to-high clock transition
5. * = The data output function may be enabled or disabled by various signals at the OE and DIR inputs. Data input functions are always enabled, i.e., data at the bus pins will be stored on every low-to-high transition of the clock.

ABSOLUTE MAXIMUM RATINGS

(Operation beyond the limit set forth in this table may impair the useful life of the device. Unless otherwise noted these limits are over the operating free air temperature range.)

SYMBOL	PARAMETER	RATING	UNIT
V _{CC}	Supply voltage	-0.5 to +7.0	V
V _{IN}	Input voltage	-0.5 to +7.0	V
I _{IN}	Input current	-30 to +5	mA
V _{OUT}	Voltage applied to output in high output state	-0.5 to V _{CC}	V
I _{OUT}	Current applied to output in low output state	74F646A, 74F648A	72
		74F646, 74F648	128
T _{amb}	Operating free air temperature range	0 to +70	°C
T _{stg}	Storage temperature range	-65 to +150	°C

RECOMMENDED OPERATING CONDITIONS

SYMBOL	PARAMETER	LIMITS			UNIT
		MIN	NOM	MAX	
V _{CC}	Supply voltage	4.5	5.0	5.5	V
V _{IH}	High-level input voltage	2.0			V
V _{IL}	Low-level input voltage			0.8	V
I _{Ik}	Input clamp current			-18	mA
I _{OH}	High-level output current			-15	mA
I _{OL}	Low-level output current			48	mA
				64	mA
T _{amb}	Operating free air temperature range	0		+70	°C

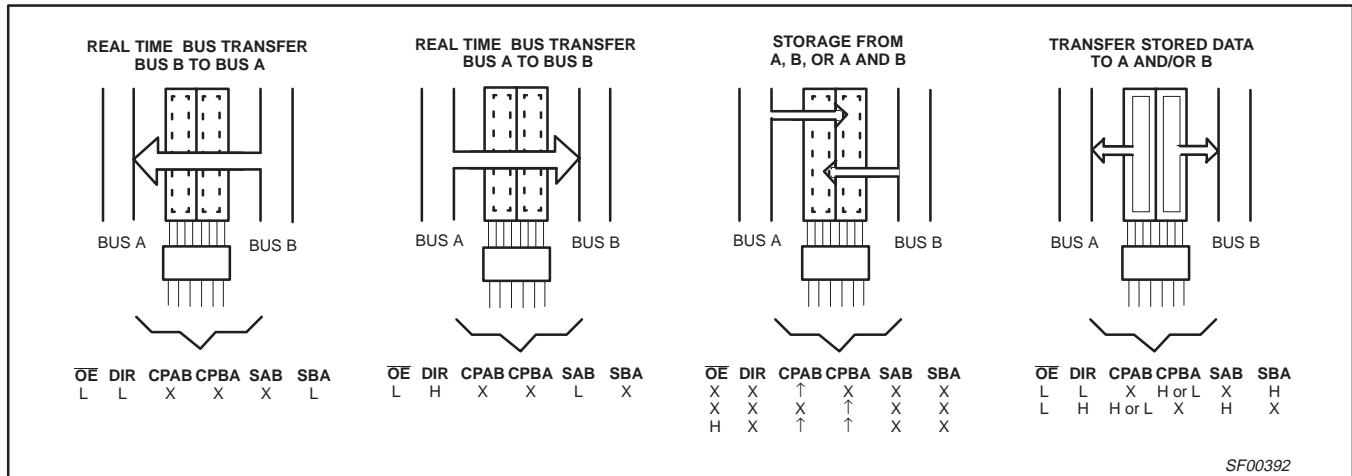
Transceivers/registers

74F646/A/74F648/A

The following examples demonstrate the four fundamental bus-management functions that can be performed with the 74F646/646A and 74F648/648A. The select pins determine whether

data is stored or transferred through the device in real time. The output enable pins determine the direction of the data flow.

BUS MANAGEMENT FUNCTIONS



Transceivers/registers

74F646/A/74F648/A

DC ELECTRICAL CHARACTERISTICS

(Over recommended operating free-air temperature range unless otherwise noted.)

SYMBOL	PARAMETER		TEST CONDITIONS ¹			LIMITS			UNIT		
						MIN	TYP ²	MAX			
V _{OH}	High-level output voltage		V _{CC} = MIN, V _{IL} = MAX,	I _{OH} = -3mA	±10%V _{CC}	2.4			V		
					±5%V _{CC}	2.7	3.4		V		
			V _{IH} = MIN	I _{OH} = -15mA	±10%V _{CC}	2.0			V		
V _{OL}	Low-level output voltage	All	V _{CC} = MIN, V _{IL} = MAX,	I _{OL} = 48mA	±10%V _{CC}		0.38	0.55	V		
		74F646/74F648 only	V _{IH} = MIN	I _{OL} = 64mA	±5%V _{CC}		0.42	0.55	V		
V _{IK}	Input clamp voltage		V _{CC} = MIN, I _I = I _{IK}				-0.73	-1.2	V		
I _I	Input current at maximum input voltage	others	V _{CC} = 0.0V, V _I = 7.0V					100	μA		
		A0–A7, B0–B7	V _{CC} = MAX, V _I = 5.5V					1	mA		
I _{IH}	High-level input current	OE, DIR, CPAB,	V _{CC} = MAX, V _I = 2.7V					20	μA		
I _{IL}	Low-level input current	CPBA, SAB, SBA	V _{CC} = MAX, V _I = 0.5V					-20	μA		
I _{OZH} + I _{IH}	Off-state output current, high-level voltage applied	A0 – A7, B0 –B7	V _{CC} = MAX, V _O = 2.7V					70	μA		
I _{OZL} + I _{IL}	Off-state output current, low-level voltage applied		V _{CC} = MAX, V _O = 0.5V					-70	μA		
I _{OS}	Short-circuit output current ³	74F646, 74F648	V _{CC} = MAX					-100	-225	mA	
I _O	Output current ⁴	74F646A, 74F648A	V _{CC} = MAX, V _O = 2.25V					-60		-150	mA
I _{CC}	Supply current (total)	74F646, 74F648	I _{CCH}	V _{CC} = MAX				125	165	mA	
			I _{CCL}					160	210	mA	
			I _{CCZ}					135	160	mA	
		74F646A, 74F648A	I _{CCH}					100	145	mA	
			I _{CCL}					110	155	mA	
			I _{CCZ}					105	155	mA	

NOTES:

- For conditions shown as MIN or MAX, use the appropriate value specified under recommended operating conditions for the applicable type. Unless otherwise specified, V_X = V_{CC} for all test conditions.
- All typical values are at V_{CC} = 5V, T_{amb} = 25°C.
- Not more than one output should be shorted at a time. For testing I_{OS}, the use of high-speed test apparatus and/or sample-and-hold techniques are preferable in order to minimize internal heating and more accurately reflect operational values. Otherwise, prolonged shorting of a high output may raise the chip temperature well above normal and thereby cause invalid readings in other parameter tests. In any sequence of parameter tests, I_{OS} tests should be performed last.
- I_O is tested under conditions that produce current approximately one half of the true short-circuit output current (I_{OS}).

Transceivers/registers

74F646/A/74F648/A

AC ELECTRICAL CHARACTERISTICS FOR 74F646

SYMBOL	PARAMETER	TEST CONDITION	LIMITS					UNIT
			T _{amb} = +25°C V _{CC} = +5.0V C _L = 50pF, R _L = 500Ω			T _{amb} = 0°C to +70°C V _{CC} = +5.0V ± 10% C _L = 50pF, R _L = 500Ω		
			MIN	TYP	MAX	MIN	MAX	
f _{max}	Maximum clock frequency	Waveform 1	100	115		90		MHz
t _{PLH} t _{PHL}	Propagation delay CPAB or CPBA to An or Bn	Waveform 1	5.5 5.5	7.5 8.0	10.0 10.0	5.0 5.0	11.5 11.0	ns
t _{PLH} t _{PHL}	Propagation delay An to Bn or Bn to An	Waveform 2	4.0 4.0	6.0 6.5	9.0 8.0	4.0 4.0	10.0 10.0	ns
t _{PLH} t _{PHL}	Propagation delay SAB or SBA to An or Bn	Waveform 2, 3	5.0 5.0	7.0 6.5	8.5 8.5	4.5 4.5	10.5 9.5	ns
t _{PZH} t _{PZL}	Output enable time OE to An or Bn	Waveform 5 Waveform 6	5.0 6.5	7.0 8.5	10.0 11.0	4.5 6.0	11.0 12.5	ns
t _{PZH} t _{PZL}	Output enable time DIR to An or Bn	Waveform 5 Waveform 6	4.5 6.0	6.5 8.5	9.0 11.0	4.0 5.5	10.0 12.5	ns
t _{PHZ} t _{PLZ}	Output disable time OE to An or Bn	Waveform 5 Waveform 6	6.5 6.5	9.0 9.0	11.5 11.5	6.0 6.0	12.5 13.5	ns
t _{PHZ} t _{PLZ}	Output disable time DIR to An or Bn	Waveform 5 Waveform 6	5.5 5.5	8.5 8.5	11.0 11.0	4.5 5.0	13.0 12.5	ns

AC SETUP REQUIREMENTS FOR 74F646

SYMBOL	PARAMETER	TEST CONDITION	LIMITS					UNIT
			T _{amb} = +25°C V _{CC} = +5.0V C _L = 50pF, R _L = 500Ω			T _{amb} = 0°C to +70°C V _{CC} = +5.0V ± 10% C _L = 50pF, R _L = 500Ω		
			MIN	TYP	MAX	MIN	MAX	
t _{su} (H) t _{su} (L)	Setup time, high or low An or Bn to CPAB or CPBA	Waveform 4	4.5 4.5			5.0 5.0		ns
t _h (H) t _h (L)	Hold time, high or low An or Bn to CPAB or CPBA	Waveform 4	0 0			0 0		ns
t _w (H) t _w (L)	Pulse width, high or low CPAB or CPBA	Waveform 1	4.0 6.0			4.0 6.0		ns

Transceivers/registers

74F646/A/74F648/A

AC ELECTRICAL CHARACTERISTICS FOR 74F648

SYMBOL	PARAMETER	TEST CONDITION	LIMITS					UNIT
			T _{amb} = +25°C V _{CC} = +5.0V C _L = 50pF, R _L = 500Ω			T _{amb} = 0°C to +70°C V _{CC} = +5.0V ± 10% C _L = 50pF, R _L = 500Ω		
			MIN	TYP	MAX	MIN	MAX	
f _{max}	Maximum clock frequency	Waveform 1	100	115		90		MHz
t _{PLH} t _{PHL}	Propagation delay CPAB or CPBA to An or Bn	Waveform 1	5.0 5.0	7.0 7.5	9.5 9.5	4.5 4.5	11.0 11.0	ns
t _{PLH} t _{PHL}	Propagation delay An to Bn or Bn to An	Waveform 3	3.0 4.0	6.0 6.0	8.5 8.5	2.5 3.5	9.5 9.5	ns
t _{PLH} t _{PHL}	Propagation delay SAB or SBA to An or Bn	Waveform 2,3	4.5 4.5	7.0 6.5	8.5 8.5	4.5 4.5	10.5 9.5	ns
t _{PZH} t _{PZL}	Output enable time OE to An or Bn	Waveform 5 Waveform 6	4.5 6.0	7.0 8.5	10.0 11.0	4.5 5.5	11.0 12.5	ns
t _{PZH} t _{PZL}	Output enable time DIR to An or Bn	Waveform 5 Waveform 6	4.5 6.0	7.0 8.5	10.0 11.0	4.0 5.5	11.0 12.5	ns
t _{PHZ} t _{PLZ}	Output disable time OE to An or Bn	Waveform 5 Waveform 6	6.0 6.0	9.0 8.5	11.5 12.0	6.0 6.0	12.5 13.5	ns
t _{PHZ} t _{PLZ}	Output disable time DIR to An or Bn	Waveform 5 Waveform 6	5.0 5.0	9.0 9.0	12.5 12.5	4.5 5.0	14.0 14.0	ns

AC SETUP REQUIREMENTS FOR 74F648

SYMBOL	PARAMETER	TEST CONDITION	LIMITS					UNIT
			T _{amb} = +25°C V _{CC} = +5.0V C _L = 50pF, R _L = 500Ω			T _{amb} = 0°C to +70°C V _{CC} = +5.0V ± 10% C _L = 50pF, R _L = 500Ω		
			MIN	TYP	MAX	MIN	MAX	
t _{su} (H) t _{su} (L)	Setup time, high or low An or Bn to CPAB or CPBA	Waveform 4	4.0 4.0			5.0 5.0		ns
t _h (H) t _h (L)	Hold time, high or low An or Bn to CPAB or CPBA	Waveform 4	0 0			0 0		ns
t _w (H) t _w (L)	Pulse width, high or low CPAB or CPBA	Waveform 1	3.5 6.5			4.0 7.0		ns

Transceivers/registers

74F646/A/74F648/A

AC ELECTRICAL CHARACTERISTICS FOR 74F646A

SYMBOL	PARAMETER	TEST CONDITION	LIMITS					UNIT
			T _{amb} = +25°C V _{CC} = +5.0V C _L = 50pF, R _L = 500Ω			T _{amb} = 0°C to +70°C V _{CC} = +5.0V ± 10% C _L = 50pF, R _L = 500Ω		
			MIN	TYP	MAX	MIN	MAX	
f _{max}	Maximum clock frequency	Waveform 1	165	185		150		MHz
t _{PLH} t _{PHL}	Propagation delay CPAB or CPBA to An or Bn	Waveform 1	5.5 4.5	7.0 7.0	10.5 9.5	4.5 4.0	11.0 10.0	ns
t _{PLH} t _{PHL}	Propagation delay An to Bn or Bn to An	Waveform 2	4.0 2.0	6.0 5.0	9.0 8.0	3.5 2.0	10.0 8.0	ns
t _{PLH} t _{PHL}	Propagation delay SAB or SBA to An or Bn	Waveform 2, 3	4.5 3.5	6.5 8.0	9.5 10.0	4.0 3.0	10.0 11.5	ns
t _{PZH} t _{PZL}	Output enable time OE to An or Bn	Waveform 5 Waveform 6	3.0 3.0	5.5 5.5	9.0 10.0	2.5 2.5	10.0 10.5	ns
t _{PZH} t _{PZL}	Output enable time DIR to An or Bn	Waveform 5 Waveform 6	3.0 3.5	5.0 6.0	8.0 8.5	3.0 3.0	8.5 9.5	ns
t _{PHZ} t _{PLZ}	Output disable time OE to An or Bn	Waveform 5 Waveform 6	1.5 2.5	4.0 5.5	6.5 8.0	1.0 2.0	8.0 9.5	ns
t _{PHZ} t _{PLZ}	Output disable time DIR to An or Bn	Waveform 5 Waveform 6	2.0 3.0	4.5 5.0	7.5 8.0	1.5 2.0	8.5 8.5	ns

AC SETUP REQUIREMENTS FOR 74F646A

SYMBOL	PARAMETER	TEST CONDITION	LIMITS					UNIT
			T _{amb} = +25°C V _{CC} = +5.0V C _L = 50pF, R _L = 500Ω			T _{amb} = 0°C to +70°C V _{CC} = +5.0V ± 10% C _L = 50pF, R _L = 500Ω		
			MIN	TYP	MAX	MIN	MAX	
t _{su} (H) t _{su} (L)	Setup time, high or low An or Bn to CPAB or CPBA	Waveform 4	3.5 4.0			4.0 4.5		ns
t _h (H) t _h (L)	Hold time, high or low An or Bn to CPAB or CPBA	Waveform 4	0 0			0 0		ns
t _w (H) t _w (L)	Pulse width, high or low CPAB or CPBA	Waveform 1	3.5 3.5			4.5 4.0		ns

Transceivers/registers

74F646/A/74F648/A

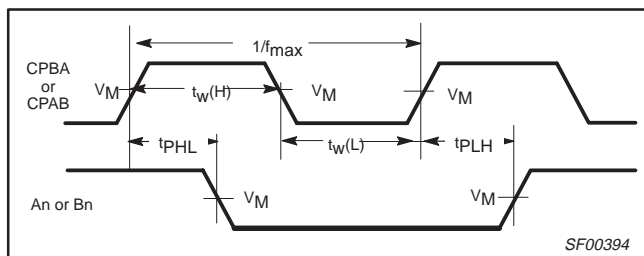
AC ELECTRICAL CHARACTERISTICS FOR 74F648A

SYMBOL	PARAMETER	TEST CONDITION	LIMITS					UNIT
			T _{amb} = +25°C V _{CC} = +5.0V C _L = 50pF, R _L = 500Ω			T _{amb} = 0°C to +70°C V _{CC} = +5.0V ± 10% C _L = 50pF, R _L = 500Ω		
			MIN	TYP	MAX	MIN	MAX	
f _{max}	Maximum clock frequency	Waveform 1	160	185		135		ns
t _{PLH} t _{PHL}	Propagation delay CPAB or CPBA to An or Bn	Waveform 1	5.0 5.5	7.0 7.5	9.5 10.0	4.5 4.5	10.5 10.5	ns
t _{PLH} t _{PHL}	Propagation delay An to Bn or Bn to An	Waveform 3	2.5 4.0	4.5 6.0	7.5 8.5	2.0 4.0	8.5 9.5	ns
t _{PLH} t _{PHL}	Propagation delay SAB or SBA to An or Bn	Waveform 2, 3	4.0 4.5	7.0 7.0	9.5 9.5	3.5 4.5	11.5 10.0	ns
t _{PZH} t _{PZL}	Output enable time OE to An or Bn	Waveform 5 Waveform 6	3.5 4.5	6.5 6.5	10.0 10.0	3.5 4.0	11.0 11.5	ns
t _{PZH} t _{PZL}	Output enable time DIR to An or Bn	Waveform 5 Waveform 6	3.5 4.0	5.5 6.5	8.5 9.5	3.0 4.0	9.0 10.0	ns
t _{PHZ} t _{PLZ}	Output disable time OE to An or Bn	Waveform 5 Waveform 6	2.5 4.0	4.0 6.5	6.5 9.0	2.0 3.5	8.0 10.0	ns
t _{PHZ} t _{PLZ}	Output disable time DIR to An or Bn	Waveform 5 Waveform 6	2.5 2.5	5.0 5.0	8.5 8.0	2.0 3.5	9.0 9.0	ns

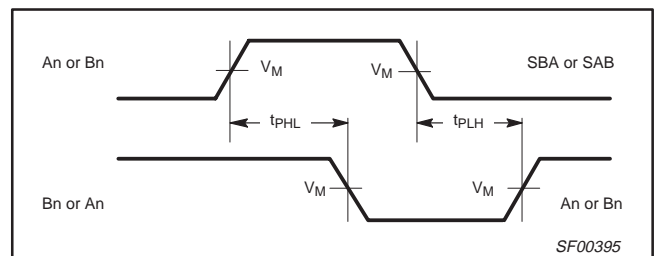
AC SETUP REQUIREMENTS FOR 74F648A

SYMBOL	PARAMETER	TEST CONDITION	LIMITS					UNIT
			T _{amb} = +25°C V _{CC} = +5.0V C _L = 50pF, R _L = 500Ω			T _{amb} = 0°C to +70°C V _{CC} = +5.0V ± 10% C _L = 50pF, R _L = 500Ω		
			MIN	TYP	MAX	MIN	MAX	
t _{su} (H) t _{su} (L)	Setup time, high or low An or Bn to CPAB or CPBA	Waveform 4	4.0 4.0			4.5 4.5		ns
t _h (H) t _h (L)	Hold time, high or low An or Bn to CPAB or CPBA	Waveform 4	0 0			0 0		ns
t _w (H) t _w (L)	Pulse width, high or low CPAB or CPBA	Waveform 1	3.5 3.5			4.0 3.5		ns

AC WAVEFORMS



Waveform 1. Propagation delay for clock input to output clock pulse width, and maximum clock frequency

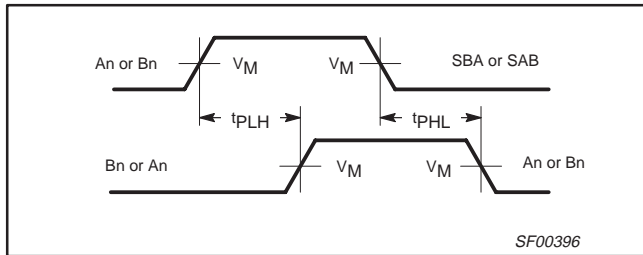


Waveform 2. Propagation delay for An to Bn or Bn to An and SAB or SBA to An or Bn

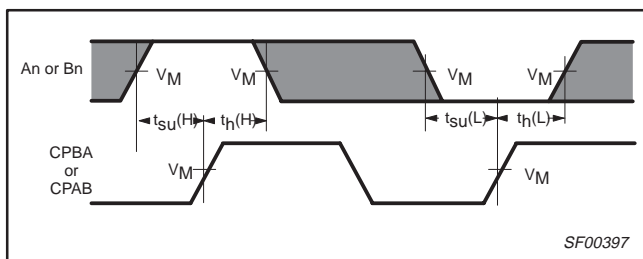
Transceivers/registers

74F646/A/74F648/A

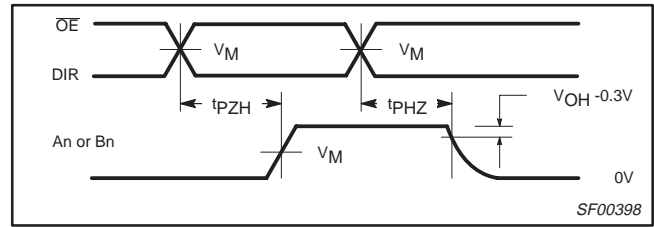
AC WAVEFORMS (Continued)



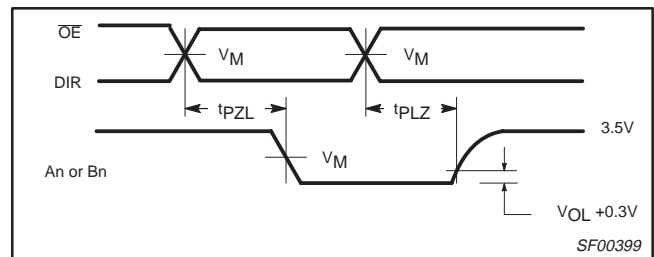
Waveform 3. Propagation delay for An to Bn or Bn to An and SAB or SBA to An or Bn



Waveform 4. Data setup time and hold times



Waveform 5. 3-state output enable time to high level and output disable time from high level



Waveform 6. 3-state output enable time to low level and output disable time from low level

NOTES:

1. For all waveforms, $V_M = 1.5V$.
2. The shaded areas indicate when the input is permitted to change for predictable output performance.

TEST CIRCUIT AND WAVEFORM

Test Circuit for Open Collector Outputs

SWITCH POSITION	
TEST	SWITCH
t_{PLZ}	closed
t_{PZL}	closed
All other	open

DEFINITIONS:
 R_L = Load resistor; see AC electrical characteristics for value.
 C_L = Load capacitance includes jig and probe capacitance; see AC electrical characteristics for value.
 R_T = Termination resistance should be equal to Z_{OUT} of pulse generators.

Input Pulse Definition

family	INPUT PULSE REQUIREMENTS					
	amplitude	V_M	rep. rate	t_w	t_{TLH}	t_{THL}
74F	3.0V	1.5V	1MHz	500ns	2.5ns	2.5ns

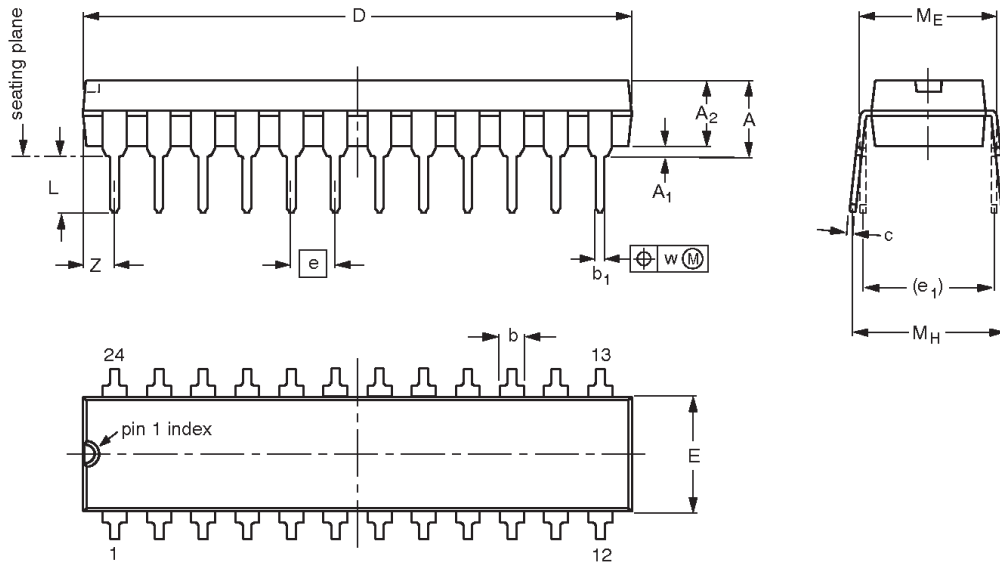
SF00128

Transceivers/registers

74F646/A/74F648/A

DIP24: plastic dual in-line package; 24 leads (300 mil)

SOT222-1



DIMENSIONS (millimetre dimensions are derived from the original inch dimensions)

UNIT	A max.	A ₁ min.	A ₂ max.	b	b ₁	c	D ⁽¹⁾	E ⁽¹⁾	e	e ₁	L	M _E	M _H	w	Z ⁽¹⁾ max.
mm	4.70	0.38	3.94	1.63 1.14	0.56 0.43	0.36 0.25	31.9 31.5	6.73 6.48	2.54	7.62	3.51 3.05	8.13 7.62	10.03 7.62	0.25	2.05
inches	0.185	0.015	0.155	0.064 0.045	0.022 0.017	0.014 0.010	1.256 1.240	0.265 0.255	0.100	0.300	0.138 0.120	0.32 0.30	0.395 0.300	0.01	0.081

Note

1. Plastic or metal protrusions of 0.01 inches maximum per side are not included.

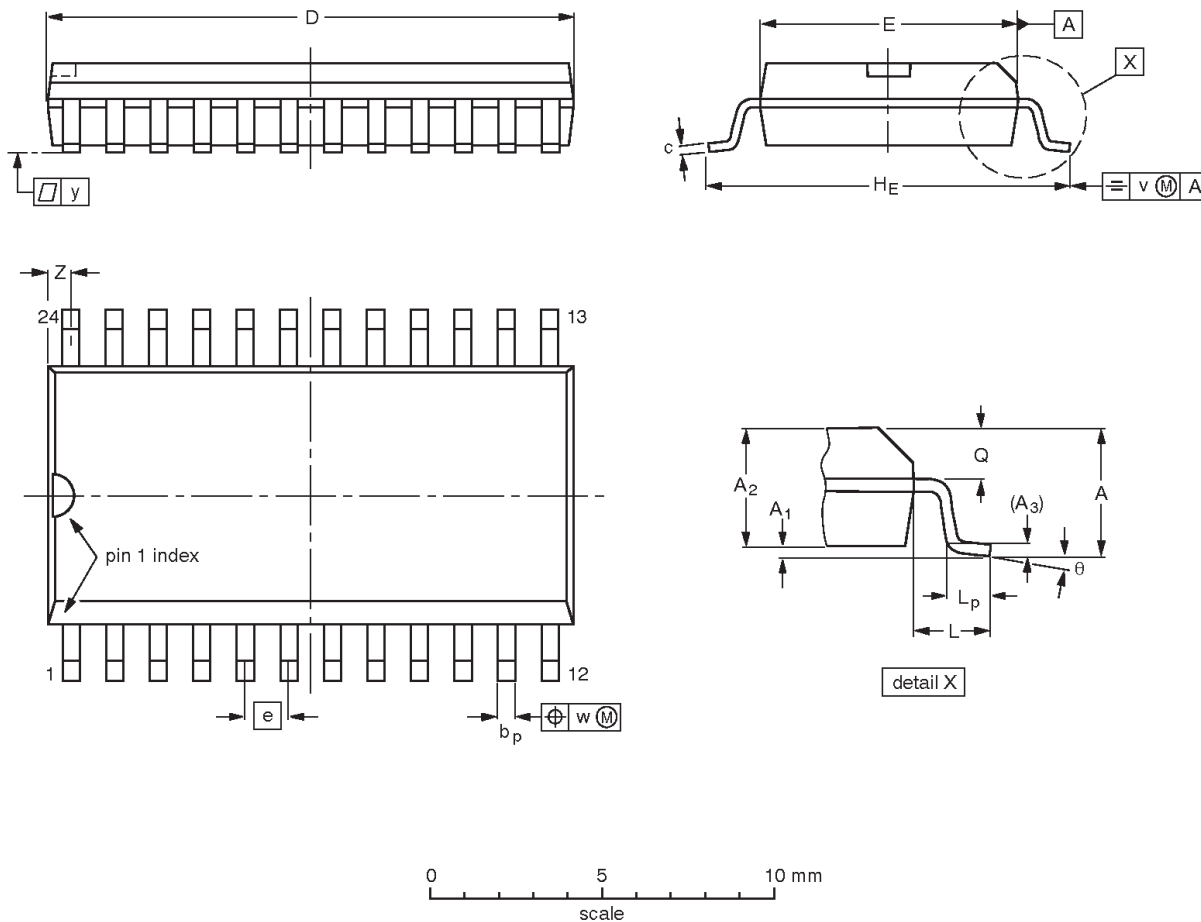
OUTLINE VERSION	REFERENCES				EUROPEAN PROJECTION	ISSUE DATE
	IEC	JEDEC	EIAJ			
SOT222-1		MS-001AF				95-03-11

Transceivers/registers

74F646/A/74F648/A

SO24: plastic small outline package; 24 leads; body width 7.5 mm

SOT137-1



DIMENSIONS (inch dimensions are derived from the original mm dimensions)

UNIT	A max.	A ₁	A ₂	A ₃	b _p	c	D ⁽¹⁾	E ⁽¹⁾	e	H _E	L	L _p	Q	v	w	y	z ⁽¹⁾	θ
mm	2.65	0.30 0.10	2.45 2.25	0.25	0.49 0.36	0.32 0.23	15.6 15.2	7.6 7.4	1.27	10.65 10.00	1.4	1.1 0.4	1.1 1.0	0.25	0.25	0.1	0.9 0.4	8° 0°
inches	0.10	0.012 0.004	0.096 0.089	0.01	0.019 0.014	0.013 0.009	0.61 0.60	0.30 0.29	0.050	0.419 0.394	0.055	0.043 0.016	0.043 0.039	0.01	0.01	0.004	0.035 0.016	

Note

1. Plastic or metal protrusions of 0.15 mm maximum per side are not included.

OUTLINE VERSION	REFERENCES				EUROPEAN PROJECTION	ISSUE DATE
	IEC	JEDEC	EIAJ			
SOT137-1	075E05	MS-013AD				95-01-24 97-05-22

Transceivers/registers

74F646/A/74F648/A

NOTES

Transceivers/registers

74F646/A/74F648/A

Data sheet status

Data sheet status	Product status	Definition [1]
Objective specification	Development	This data sheet contains the design target or goal specifications for product development. Specification may change in any manner without notice.
Preliminary specification	Qualification	This data sheet contains preliminary data, and supplementary data will be published at a later date. Philips Semiconductors reserves the right to make changes at any time without notice in order to improve design and supply the best possible product.
Product specification	Production	This data sheet contains final specifications. Philips Semiconductors reserves the right to make changes at any time without notice in order to improve design and supply the best possible product.

[1] Please consult the most recently issued datasheet before initiating or completing a design.

Definitions

Short-form specification — The data in a short-form specification is extracted from a full data sheet with the same type number and title. For detailed information see the relevant data sheet or data handbook.

Limiting values definition — Limiting values given are in accordance with the Absolute Maximum Rating System (IEC 134). Stress above one or more of the limiting values may cause permanent damage to the device. These are stress ratings only and operation of the device at these or at any other conditions above those given in the Characteristics sections of the specification is not implied. Exposure to limiting values for extended periods may affect device reliability.

Application information — Applications that are described herein for any of these products are for illustrative purposes only. Philips Semiconductors make no representation or warranty that such applications will be suitable for the specified use without further testing or modification.

Disclaimers

Life support — These products are not designed for use in life support appliances, devices or systems where malfunction of these products can reasonably be expected to result in personal injury. Philips Semiconductors customers using or selling these products for use in such applications do so at their own risk and agree to fully indemnify Philips Semiconductors for any damages resulting from such application.

Right to make changes — Philips Semiconductors reserves the right to make changes, without notice, in the products, including circuits, standard cells, and/or software, described or contained herein in order to improve design and/or performance. Philips Semiconductors assumes no responsibility or liability for the use of any of these products, conveys no license or title under any patent, copyright, or mask work right to these products, and makes no representations or warranties that these products are free from patent, copyright, or mask work right infringement, unless otherwise specified.

Philips Semiconductors
811 East Arques Avenue
P.O. Box 3409
Sunnyvale, California 94088-3409
Telephone 800-234-7381

© Copyright Philips Electronics North America Corporation 1998
All rights reserved. Printed in U.S.A.

print code

Date of release: 10-98

Document order number:

9397-750-05151

Let's make things better.

Philips
Semiconductors



PHILIPS