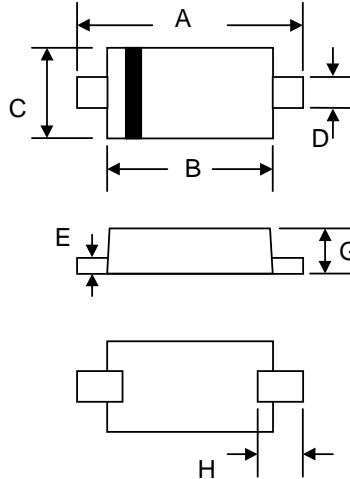


### Features

- High Conductance
- Fast Switching Speed
- Surface Mount Package Ideally Suited for Automatic Insertion
- For General Purpose Switching Application
- Plastic Material – UL Recognition Flammability Classification 94V-0



SOD-323		
Dim	Min	Max
A	2.30	2.70
B	1.75	1.95
C	1.15	1.35
D	0.25	0.35
E	0.05	0.15
G	0.70	0.95
H	0.30	—
All Dimensions in mm		

### Mechanical Data

- Case: SOD-323, Molded Plastic
- Terminals: Plated Leads Solderable per MIL-STD-202, Method 208
- Polarity: Cathode Band
- Weight: 0.004 grams (approx.)
- Marking: BAV19WS A8  
BAV20WS A80  
BAV21WS A82
- **Lead Free: For RoHS / Lead Free Version, Add “-LF” Suffix to Part Number, See Page 4**

### Maximum Ratings @ $T_A=25^\circ\text{C}$ unless otherwise specified

Characteristic	Symbol	BAV19WS	BAV20WS	BAV21WS	Unit
Non-Repetitive Peak Reverse Voltage	$V_{RM}$	120	200	250	V
Peak Repetitive Reverse Voltage	$V_{RRM}$	100	150	200	V
Working Peak Reverse Voltage	$V_{RWM}$				
DC Blocking Voltage	$V_R$				
RMS Reverse Voltage	$V_{R(RMS)}$	70	105	140	V
Forward Continuous Current (Note 1)	$I_F$	400			mA
Average Rectified Output Current (Note 1)	$I_O$	200			mA
Non-Repetitive Peak Forward Surge Current	$I_{FSM}$	2.5 0.5			A
	@ $t = 1.0\mu\text{s}$ @ $t = 1.0\text{s}$				
Power Dissipation	$P_d$	200			mW
Typical Thermal Resistance, Junction to Ambient Air (Note 1)	$R_{\theta JA}$	625			K/W
Operating and Storage Temperature Range	$T_j, T_{STG}$	-65 to +150			$^\circ\text{C}$

## Electrical Characteristics @ $T_A=25^\circ\text{C}$ unless otherwise specified

Characteristic	Symbol	BAV19WS	BAV20WS	BAV21WS	Unit
Forward Voltage Drop @ $I_F = 100\text{mA}$	$V_{FM}$	1.0			V
Peak Reverse Leakage Current @ Rated DC Blocking Voltage	$I_{RM}$	100			nA
Typical Junction Capacitance ( $V_R = 0\text{V DC}$ , $f = 1.0\text{MHz}$ )	$C_j$	5.0			pF
Reverse Recovery Time (Note 2)	$t_{rr}$	50			nS

Note: 1. Valid provided that terminals are kept at ambient temperature.  
 2. Measured with  $I_F = I_R = 30\text{mA}$ ,  $I_{RR} = 0.1 \times I_R$ ,  $R_L = 100\Omega$ .

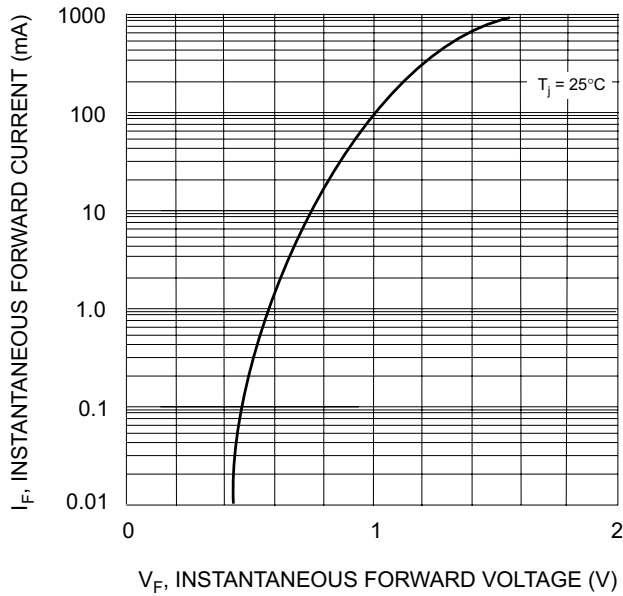


Fig. 1 Forward Characteristics

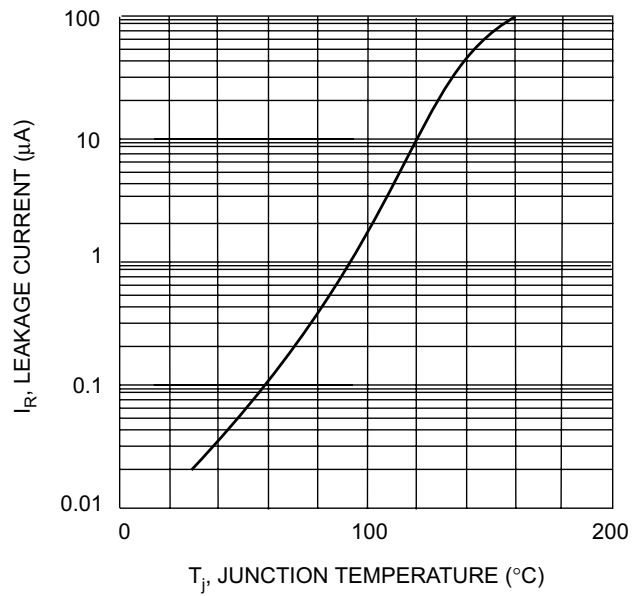


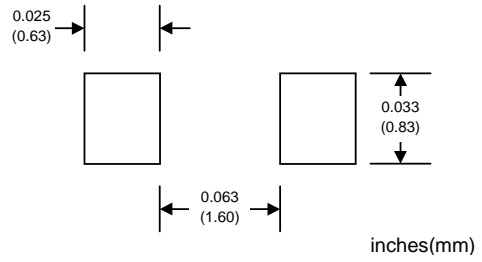
Fig. 2 Leakage Current vs Junction Temperature

## MARKING INFORMATION



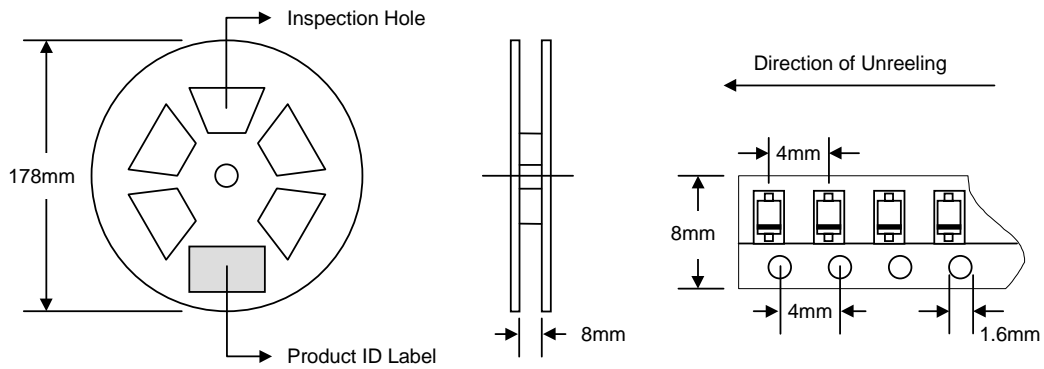
Cathode = Polarity Band  
 Ax = Device Code  
 x = 8 (BAV19WS)  
     80 (BAV20WS)  
     82 (BAV21WS)

## RECOMMENDED FOOTPRINT



## PACKAGING INFORMATION

### TAPE & REEL



Reel Diameter (mm)	Quantity (PCS)	Inner Box Size L x W x H (mm)	Quantity (PCS)	Carton Size L x W x H (mm)	Quantity (PCS)	Approx. Gross Weight (KG)
178	5,000	187 x 187 x 65	25,000	390 x 240 x 420	250,000	10.0

**Note:** 1. Anti-static plastic reel, white, water clear or blue color. Inspection hole might be varied in different alignment.  
 2. Components are packed in accordance with EIA standard 481-1 and 481-2.

## ORDERING INFORMATION

Product No.	Package Type	Shipping Quantity
BAV19WS-T1	SOD-323	5000/Tape & Reel
BAV20WS-T1	SOD-323	5000/Tape & Reel
BAV21WS-T1	SOD-323	5000/Tape & Reel

1. Shipping quantity given is for minimum packing quantity only. For minimum order quantity, please consult the Sales Department.
2. **To order RoHS / Lead Free version (with Lead Free finish), add "-LF" suffix to part number above. For example, BAV19WS-T1-LF.**

Won-Top Electronics Co., Ltd (WTE) has checked all information carefully and believes it to be correct and accurate. However, WTE cannot assume any responsibility for inaccuracies. Furthermore, this information does not give the purchaser of semiconductor devices any license under patent rights to manufacturer. WTE reserves the right to change any or all information herein without further notice.

**WARNING:** DO NOT USE IN LIFE SUPPORT EQUIPMENT. WTE power semiconductor products are not authorized for use as critical components in life support devices or systems without the express written approval.

**Won-Top Electronics Co., Ltd.**  
No. 44 Yu Kang North 3rd Road, Chine Chen Dist., Kaohsiung, Taiwan  
**Phone:** 886-7-822-5408 or 886-7-822-5410  
**Fax:** 886-7-822-5417  
**Email:** sales@wontop.com  
**Internet:** <http://www.wontop.com>

*We power your everyday.*