

OVERVIEW

The SM5877AM is a 3rd-order $\Sigma\Delta$, 2-channel D/A converter LSI for digital audio reproduction equipment. It also incorporates an 8-times oversampling digital filter and analog, post-converter lowpass filters.

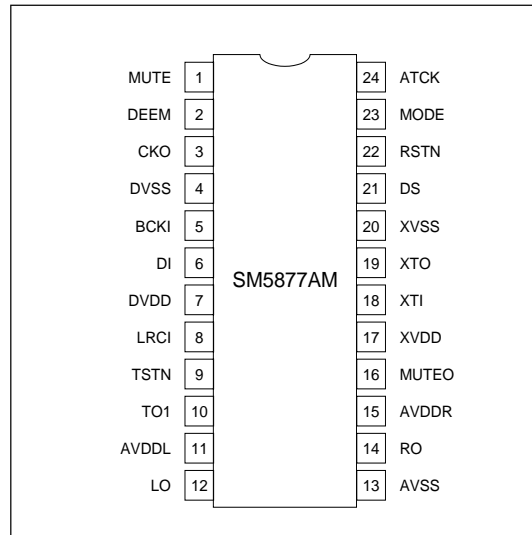
The SM5877AM has digital deemphasis filter, attenuator, and soft mute circuits built-in. Double-speed operation and low-voltage operation are also supported.

The SM5877AM operates from a 2.7 to 5.5 V supply, and is available in 24-pin SSOPs.

FEATURES

- 2.7 to 5.5 V operating supply voltage range
- 4.5 to 5.5 V operating supply voltage range for double-speed mode
- 44.1 kHz sampling frequency
- Normal (384fs) and double-speed (192fs), 16.9344 MHz system clock
- 16.9344 MHz crystal oscillator circuits built-in
- 16-bit, MSB first, rear-packed serial data input format (≤ 64 fs bit clock)
- 8-times oversampling digital filter
 - 32 dB stopband attenuation
 - ± 0.05 dB passband ripple
- Deemphasis filter operation
 - 36 dB stopband attenuation
 - -0.09 to $+0.23$ dB deviation from ideal deemphasis filter characteristics
- Attenuator
 - 6-bit attenuator (64 steps)
 - Soft mute function when MODE is HIGH (approx. 1024/fs total muting time)
- Built-in infinity-zero detector
- $\Sigma\Delta$ 2-channel D/A converter
 - 3rd-order noise shaper
 - 32fs oversampling (16fs for double-speed mode)
- 3rd-order analog, post-converter lowpass filters built-in (165 kHz cut-off frequency)
- 24-pin SSOP
- Molybdenum-gate CMOS process

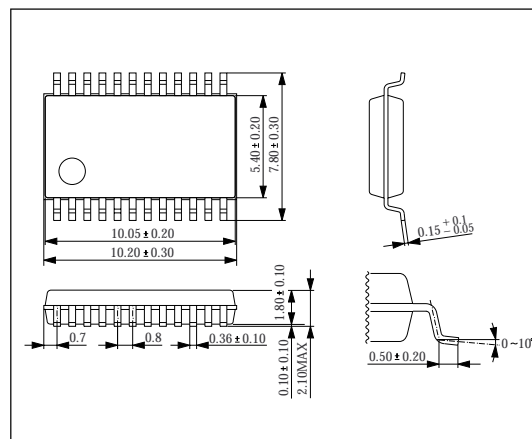
PINOUT



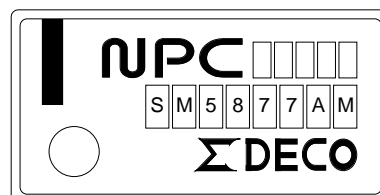
PACKAGE DIMENSIONS

Unit: mm

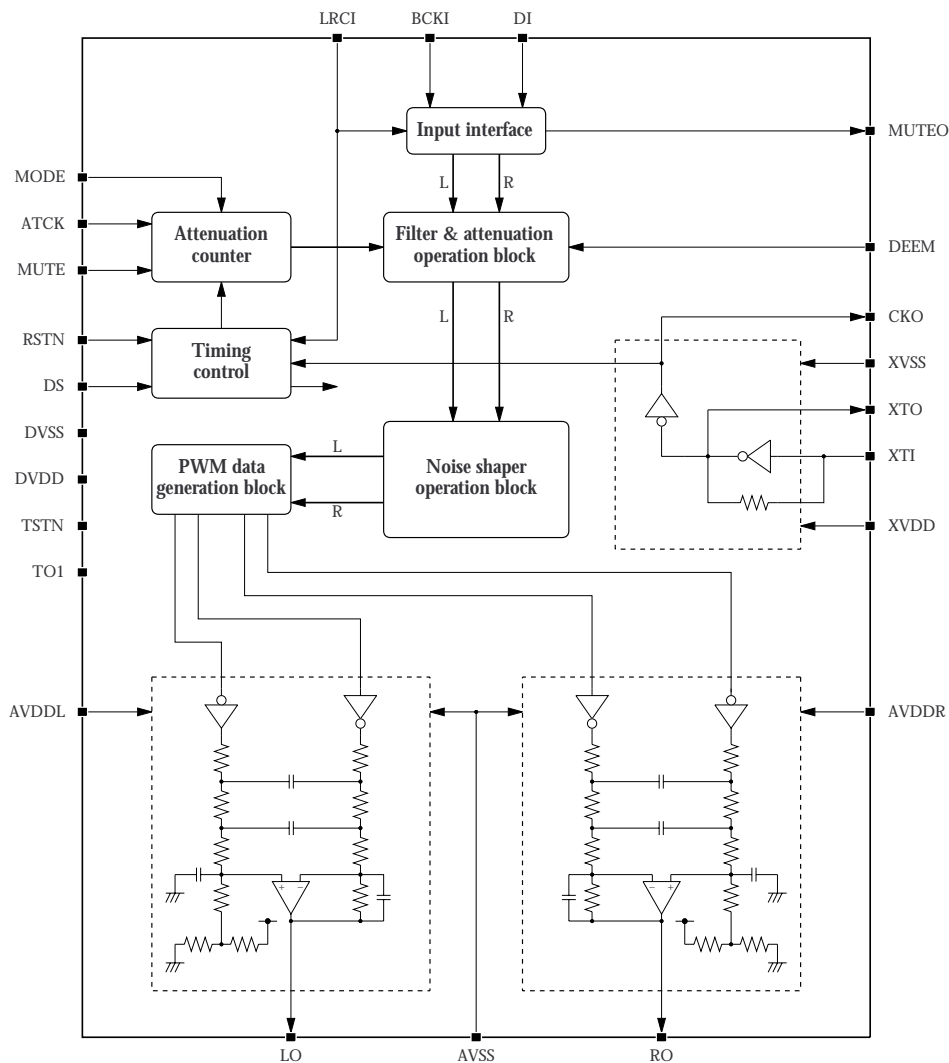
24-pin SSOP



Package Marking



BLOCK DIAGRAM



PIN DESCRIPTION

Number	Name	I/O	Description
1	MUTE	Ip	When MODE is HIGH: Soft mute ON/OFF control. Mute is active when HIGH. When MODE is LOW: Attenuator level direction control. The attenuator direction is down when HIGH.
2	DEEM	Ip	Deemphasis control. Deemphasis is ON when HIGH, and OFF when LOW.
3	CKO	O	16.9344 MHz clock output
4	DVSS		Digital ground pin
5	BCKI	Ip	Bit clock input pin
6	DI	Ip	Serial data input pin
7	DVDD		Digital supply pin
8	LRCI	Ip	Input sample data rate (fs) clock input pin. Left-channel input when HIGH, and right-channel input when LOW.
9	TSTN	Ip	Test pin. Test mode when LOW.

SM5877AM

Number	Name	I/O	Description
10	TO1	O	Test output 1. Normally LOW.
11	AVDDL		Left-channel analog supply pin
12	LO	O	Left-channel analog output
13	AVSS		Analog ground pin
14	RO	O	Right-channel analog output
15	AVDDR		Right-channel analog supply pin
16	MUTEO	O	Infinity-zero detection output
17	XVDD		Crystal oscillator supply pin
18	XTI	I	Crystal oscillator or 16.9344 MHz external clock input pin
19	XTO	O	Crystal oscillator output pin
20	XVSS		Crystal oscillator ground pin
21	DS	Ip	Double/Normal-speed mode select. Double-speed mode when HIGH.
22	RSTN	Ip	Reset pin. Reset when LOW.
23	MODE	Ip	Soft mute/attenuator mode select. Soft mute mode when HIGH.
24	ATCK	Ip	Attenuator level setting clock. Disabled when MODE is HIGH.

SPECIFICATIONS

Absolute Maximum Ratings

$$DV_{SS} = AV_{SS} = XV_{SS} = 0 \text{ V}, AV_{DD} = AV_{DDL} = AV_{DDR}$$

Parameter	Symbol	Rating	Unit
Supply voltage range	$DV_{DD}, AV_{DD}, XV_{DD}$	-0.3 to 7.0	V
Input voltage range ¹	V_{IN1}	$DV_{SS} - 0.3$ to $DV_{DD} + 0.3$	V
XTI input voltage range	V_{IN}	$XV_{SS} - 0.3$ to $XV_{DD} + 0.3$	V
Storage temperature range	T_{stg}	-40 to 125	°C
Power dissipation	P_D	250	mW
Soldering temperature	T_{sld}	255	°C
Soldering time	t_{sld}	10	s

1. Pins MUTE, DEEM, BCKI, DI, LRCI, TSTN, DS, RSTN, MODE and ATCK.
Also applicable during supply switching.

Recommended Operating Conditions

$$\text{Normal-voltage: } DV_{SS} = AV_{SS} = XV_{SS} = 0 \text{ V}, AV_{DD} = AV_{DDL} = AV_{DDR}$$

Parameter	Symbol	Rating	Unit
Supply voltage range	$DV_{DD}, AV_{DD}, XV_{DD}$	4.5 to 5.5	V
Supply voltage variation	$DV_{DD} - XV_{DD},$ $DV_{DD} - AV_{DD},$ $XV_{DD} - AV_{DD},$ $DV_{SS} - XV_{SS},$ $DV_{SS} - AV_{SS},$ $XV_{SS} - AV_{SS}$	±0.1	V
Operating temperature range	T_{opr}	-40 to 85	°C

SM5877AM

Low-voltage: $DV_{SS} = AV_{SS} = XV_{SS} = 0\text{ V}$, $AV_{DD} = AV_{DDL} = AV_{DDR}$

Parameter	Symbol	Rating	Unit
Supply voltage range	DV_{DD} , AV_{DD} , XV_{DD}	2.7 to 4.5	V
Supply voltage variation	$DV_{DD} - XV_{DD}$, $DV_{DD} - AV_{DD}$, $XV_{DD} - AV_{DD}$, $DV_{SS} - XV_{SS}$, $DV_{SS} - AV_{SS}$, $XV_{SS} - AV_{SS}$	±0.1	V
Operating temperature range	T_{opr}	-20 to 70	°C

DC Electrical Characteristics

Normal-voltage: $DV_{SS} = AV_{SS} = XV_{SS} = 0\text{ V}$, $DV_{DD} = AV_{DD} = XV_{DD} = 4.5\text{ to }5.5\text{ V}$, $AV_{DD} = AV_{DDL} = AV_{DDR}$, $T_a = -40\text{ to }85\text{ °C}$

Parameter	Symbol	Condition	Rating			Unit
			min	typ	max	
DVDD digital supply current ¹	I_{DDD}		–	15	25	mA
XVDD system clock supply current ¹	I_{DDX}		–	2	5	mA
AVDD analog supply current ¹	I_{DDA} ²		–	4	8	mA
XTI HIGH-level input voltage	V_{IH1}	Clock input	$0.7XV_{DD}$	–	–	V
XTI LOW-level input voltage	V_{IL1}	Clock input	–	–	$0.3XV_{DD}$	V
XTI AC-coupled input voltage	V_{INAC}		$0.3XV_{DD}$	–	–	V_{p-p}
HIGH-level input voltage ³	V_{IH2}		2.4	–	–	V
LOW-level input voltage ³	V_{IL2}		–	–	0.5	V
HIGH-level output voltage ⁴	V_{OHA}	$I_{OH} = -1\text{ mA}$	$AV_{DD} - 0.4$	–	–	V
LOW-level output voltage ⁴	V_{OLA}	$I_{OL} = 1\text{ mA}$	–	–	0.4	V
CKO HIGH-level output voltage	V_{OHC}	$I_{OH} = -1\text{ mA}$	$DV_{DD} - 0.4$	–	–	V
CKO LOW-level output voltage	V_{OLC}	$I_{OL} = 1\text{ mA}$	–	–	0.4	V
XTI HIGH-level input current	I_{IH1}	$V_{IN} = XV_{DD}$	–	12	25	μA
XTI LOW-level input current	I_{IL1}	$V_{IN} = 0\text{ V}$	–	12	25	μA
LOW-level input current ⁴	I_{IL2}	$V_{IN} = 0\text{ V}$	–	12	25	μA
Input leakage current ⁴	I_{LH}	$V_{IN} = DV_{DD}$	–	–	1.0	μA

1. $DV_{DD} = AV_{DD} = XV_{DD} = 5\text{ V}$, $DS = 5\text{ V}$ (double speed), XTI clock input frequency $f_{XTI} = 16.9344\text{ MHz}$, no output load.

2. I_{DDA} is the total current.

3. Pins MUTE, DEEM, BCKI, DI, LRCI, TSTN, DS, RSTN, MODE and ATCK.

4. Pins TO1 and MUTE0.

SM5877AM

Low-voltage: $DV_{SS} = AV_{SS} = XV_{SS} = 0\text{ V}$, $DV_{DD} = AV_{DD} = XV_{DD} = 2.7\text{ to }4.5\text{ V}$, $AV_{DD} = AV_{DDL} = AV_{DDR}$, $T_a = -20\text{ to }70\text{ }^\circ\text{C}$

Parameter	Symbol	Condition	Rating			Unit
			min	typ	max	
DVDD digital supply current ¹	I_{DDD}		–	6	9	mA
XVDD system clock supply current ¹	I_{DDX}		–	1	3	mA
AVDD analog supply current ¹	I_{DDA} ²		–	1	2	mA
XTI HIGH-level input voltage	V_{IH1}	Clock input	$0.7XV_{DD}$	–	–	V
XTI LOW-level input voltage	V_{IL1}	Clock input	–	–	$0.3XV_{DD}$	V
XTI AC-coupled input voltage	V_{INAC}		$0.3XV_{DD}$	–	–	V_{p-p}
HIGH-level input voltage ³	V_{IH2}		2.4	–	–	V
LOW-level input voltage ³	V_{IL2}		–	–	0.5	V
HIGH-level output voltage ⁴	V_{OHA}	$I_{OH} = -0.5\text{ mA}$	$AV_{DD} - 0.4$	–	–	V
LOW-level output voltage ⁴	V_{OLA}	$I_{OL} = 0.5\text{ mA}$	–	–	0.4	V
CKO HIGH-level output voltage	V_{OHC}	$I_{OH} = -0.5\text{ mA}$	$DV_{DD} - 0.4$	–	–	V
CKO LOW-level output voltage	V_{OLC}	$I_{OL} = 0.5\text{ mA}$	–	–	0.4	V
XTI HIGH-level input current	I_{IH1}	$V_{IN} = XV_{DD}$	–	4	15	μA
XTI LOW-level input current	I_{IL1}	$V_{IN} = 0\text{ V}$	–	4	15	μA
LOW-level input current ⁴	I_{IL2}	$V_{IN} = 0\text{ V}$	–	4	15	μA
Input leakage current ⁴	I_{LH}	$V_{IN} = DV_{DD}$	–	–	1.0	μA

1. $DV_{DD} = AV_{DD} = XV_{DD} = 3\text{ V}$, $DS = 0\text{ V}$ (normal speed), XTI clock input frequency $f_{XTI} = 16.9344\text{ MHz}$, no output load.

2. I_{DDA} is the total current.

3. Pins MUTE, DEEM, BCKI, DI, LRCI, TSTN, DS, RSTN, MODE and ATCK.

4. Pins TO1 and MUTE0.

AC Electrical Characteristics

Normal-voltage: $DV_{SS} = AV_{SS} = XV_{SS} = 0\text{ V}$, $DV_{DD} = AV_{DD} = XV_{DD} = 4.5\text{ to }5.5\text{ V}$, $AV_{DD} = AV_{DDL} = AV_{DDR}$, $T_a = -40\text{ to }85\text{ }^\circ\text{C}$

Low-voltage: $DV_{SS} = AV_{SS} = XV_{SS} = 0\text{ V}$, $DV_{DD} = AV_{DD} = XV_{DD} = 2.7\text{ to }4.5\text{ V}$, $AV_{DD} = AV_{DDL} = AV_{DDR}$, $T_a = -20\text{ to }70\text{ }^\circ\text{C}$

System clock (XTI)

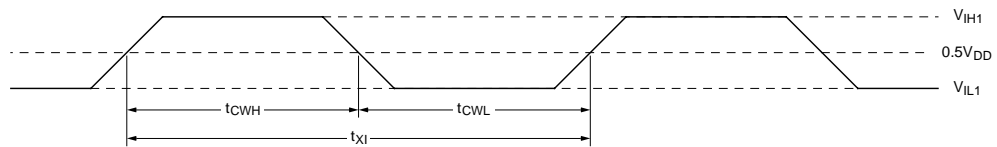
Crystal Oscillator

Parameter	Symbol	Rating			Unit
		min	typ	max	
Oscillator frequency	f_{OSC}	4.0	16.9344	17.8	MHz

External clock input

Parameter	Symbol	Rating			Unit
		min	typ	max	
HIGH-level clock pulsewidth	t_{CWH}	26.0	29.5	125	ns
LOW-level clock pulsewidth	t_{CWL}	26.0	29.5	125	ns
Clock pulse cycle	t_{XI}	56.0	59.0	250	ns

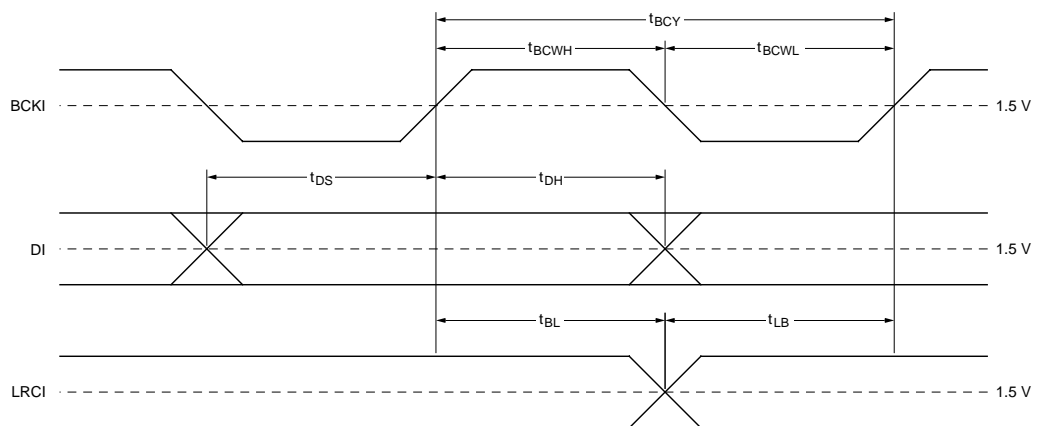
XTI input clock



Serial input (BCKI, DI, LRCI)

Parameter	Symbol	Rating			Unit
		min	typ	max	
BCKI HIGH-level pulsewidth	t_{BCWH}	50	–	–	ns
BCKI LOW-level pulsewidth	t_{BCWL}	50	–	–	ns
BCKI pulse cycle	t_{BCY}	$6t_{XI}$	–	–	ns
DI setup time	t_{DS}	50	–	–	ns
DI hold time	t_{DH}	50	–	–	ns
Last BCKI rising edge to LRCI edge	t_{BL}	50	–	–	ns
LRCI edge to first BCKI rising edge	t_{LB}	50	–	–	ns

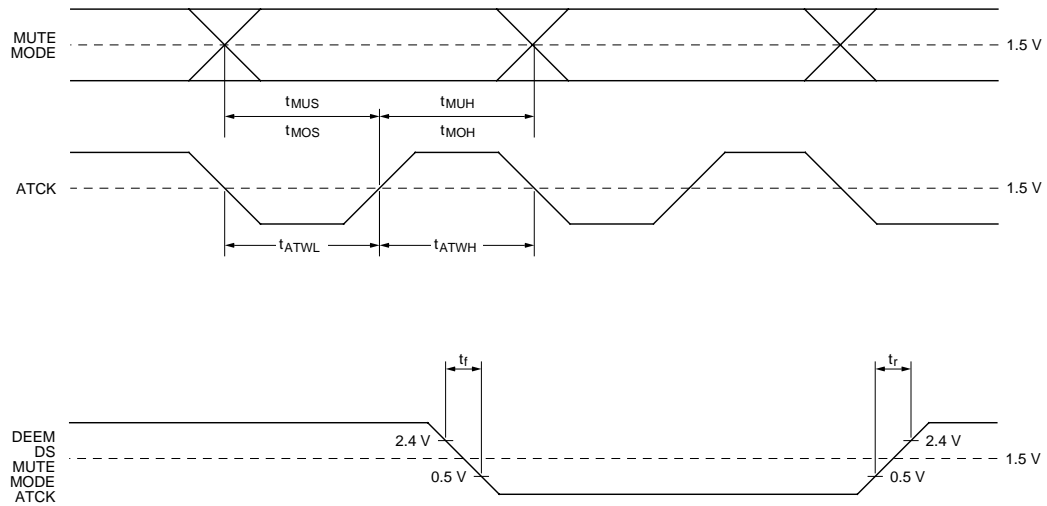
Serial input timing



Control input (MUTE, MODE, ATCK, DEEM, DS)

Parameter	Symbol	Rating			Unit
		min	typ	max	
ATCK LOW-level pulsewidth	t_{ATWL}	0.5/fs	–	–	μs
ATCK HIGH-level pulsewidth	t_{ATWH}	0.5/fs	–	–	μs
MUTE setup time	t_{MUS}	100	–	–	ns
MUTE hold time	t_{MUH}	100	–	–	ns
MODE setup time	t_{MOS}	100	–	–	ns
MODE hold time	t_{MOH}	100	–	–	ns
Rise time	t_r	–	–	50	ns
Fall time	t_f	–	–	50	ns

Control input timing



Reset Input (RSTN)

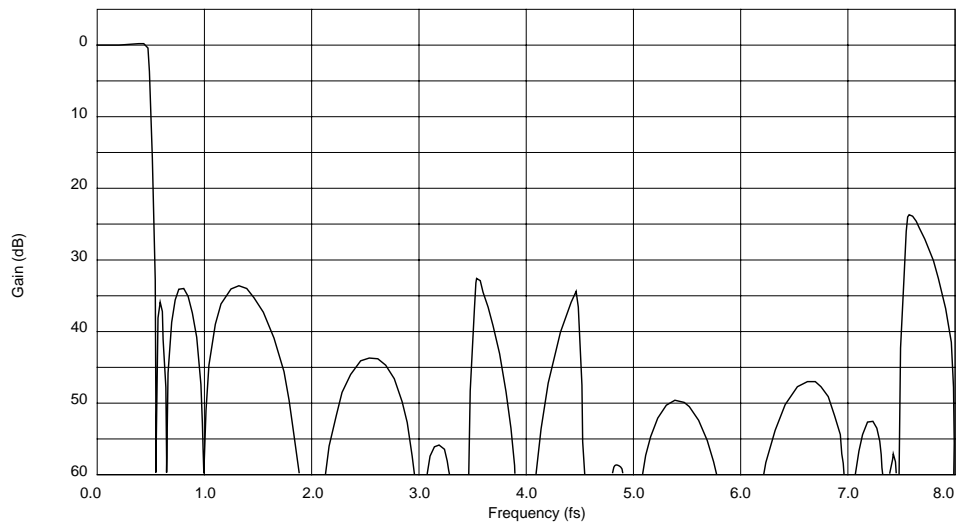
Parameter	Symbol	Rating			Unit
		min	typ	max	
RSTN LOW-level pulsewidth after supply rising edge	t_{RSTN}	50	–	–	ns

Theoretical Filter Characteristics

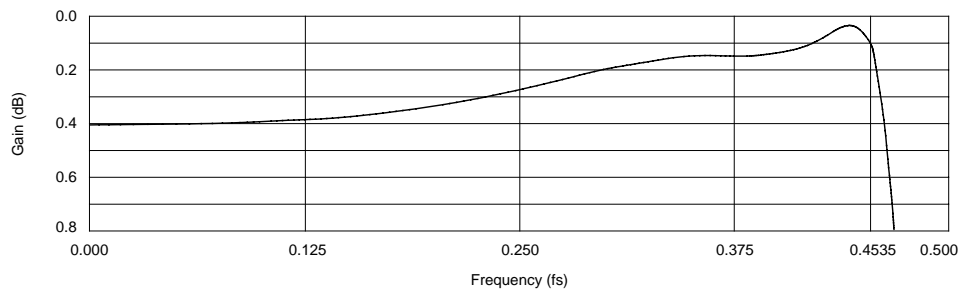
Deemphasis OFF overall characteristics

Parameter	Frequency band		Attenuation (dB)		
	f	@ fs = 44.1 kHz	min	typ	max
Passband ripple	0 to 0.4535fs	0 to 20.0 kHz	-0.05	-	+0.05
Stopband attenuation	0.5465fs to 7.4535fs	24.1 to 328.7 kHz	32	-	-
Built-in analog LPF compensation	0.4535fs	20.0 kHz	-	-0.34	-

Overall frequency characteristic (deemphasis OFF)

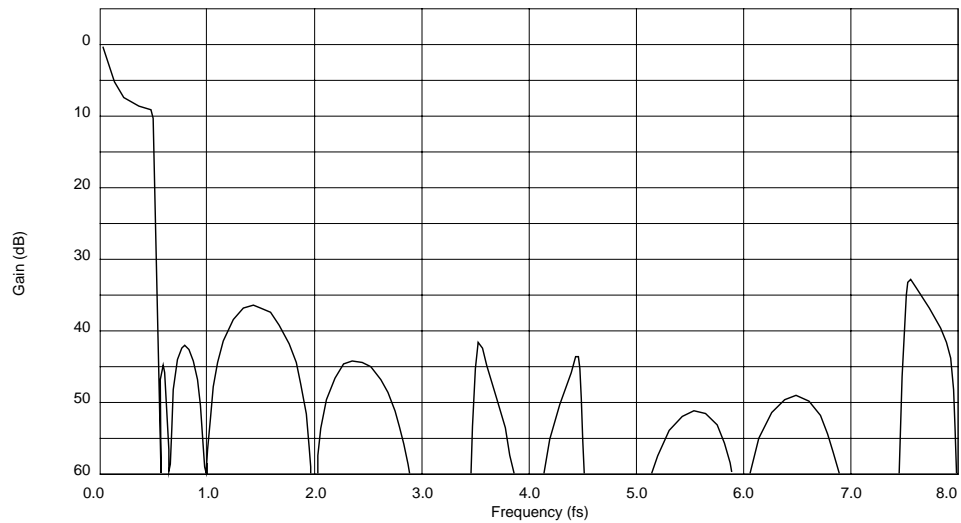
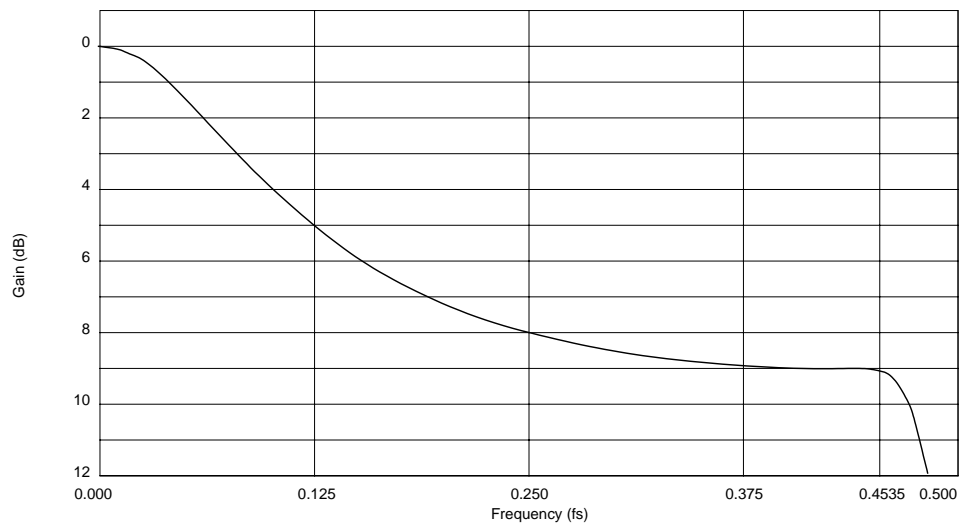


Passband characteristic (deemphasis OFF)



Deemphasis ON overall characteristics

Parameter	Frequency band		Attenuation (dB)		
	f	@ fs = 44.1 kHz	min	typ	max
Deviation from ideal deemphasis filter characteristics	0 to 0.4535fs	0 to 20.0 kHz	-0.09	-	+0.23
Stopband attenuation	0.5465fs to 7.4535fs	24.1 to 328.7 kHz	36	-	-
Built-in analog LPF compensation	0.4535fs	20.0 kHz	-	-0.34	-

Overall frequency characteristic (deemphasis ON)**Passband characteristic (deemphasis ON)**

AC Analog Characteristics

Normal-voltage: $DV_{SS} = AV_{SS} = XV_{SS} = 0\text{ V}$, $DV_{DD} = AV_{DD} = XV_{DD} = 5\text{ V}$, $AV_{DD} = AV_{DDL} = AV_{DDR}$, $DS = 0\text{ V}$, $DEEM = 0\text{ V}$, crystal oscillator frequency $f_{OSC} = 16.9344\text{ MHz}$, $T_a = 25\text{ }^\circ\text{C}$

Parameter	Symbol	Condition	Rating			Unit
			min	typ	max	
Total harmonic distortion	THD + N	1 kHz, 0 dB	–	0.004	0.010	%
LSI output level	V_{out1}	1 kHz, 0 dB	1.1	1.2	1.3	V_{rms}
Evaluation board output level	V_{out2}	1 kHz, 0 dB	–	1.2	–	V_{rms}
Dynamic range	D.R	1 kHz, –60 dB	91	97	–	dB
Signal-to-noise ratio ¹	S/N	1 kHz, 0/–∞ dB	90	96	–	dB
Channel separation	Ch. Sep	1 kHz, –∞/0 dB	87	93	–	dB

1. Signal-to-noise is measured following a device reset, with DATA = 0 (DI = LOW). Under these conditions, the signal-to-noise ratio includes noise-shaper noise.

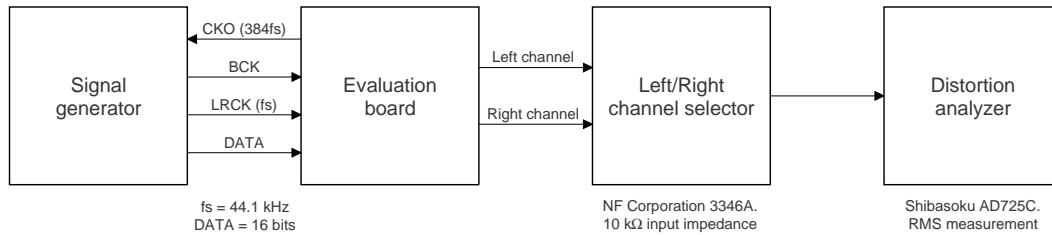
Low-voltage: $DV_{SS} = AV_{SS} = XV_{SS} = 0\text{ V}$, $DV_{DD} = AV_{DD} = XV_{DD} = 3\text{ V}$, $AV_{DD} = AV_{DDL} = AV_{DDR}$, $DS = 0\text{ V}$, $DEEM = 0\text{ V}$, crystal oscillator frequency $f_{OSC} = 16.9344\text{ MHz}$, $T_a = 25\text{ }^\circ\text{C}$

Parameter	Symbol	Condition	Rating			Unit
			min	typ	max	
Total harmonic distortion	THD + N	1 kHz, 0 dB	–	0.009	0.030	%
LSI output level	V_{out1}	1 kHz, 0 dB	0.65	0.71	0.77	V_{rms}
Evaluation board output level	V_{out2}	1 kHz, 0 dB	–	0.71	–	V_{rms}
Dynamic range	D.R	1 kHz, –60 dB	74	86	–	dB
Signal-to-noise ratio ¹	S/N	1 kHz, 0/–∞ dB	74	84	–	dB
Channel separation	Ch. Sep	1 kHz, –∞/0 dB	72	82	–	dB

1. Signal-to-noise is measured following a device reset, with DATA = 0 (DI = LOW). Under these conditions, the signal-to-noise ratio includes noise-shaper noise.

AC Measurement Circuit and Conditions

Measurement circuit block diagram

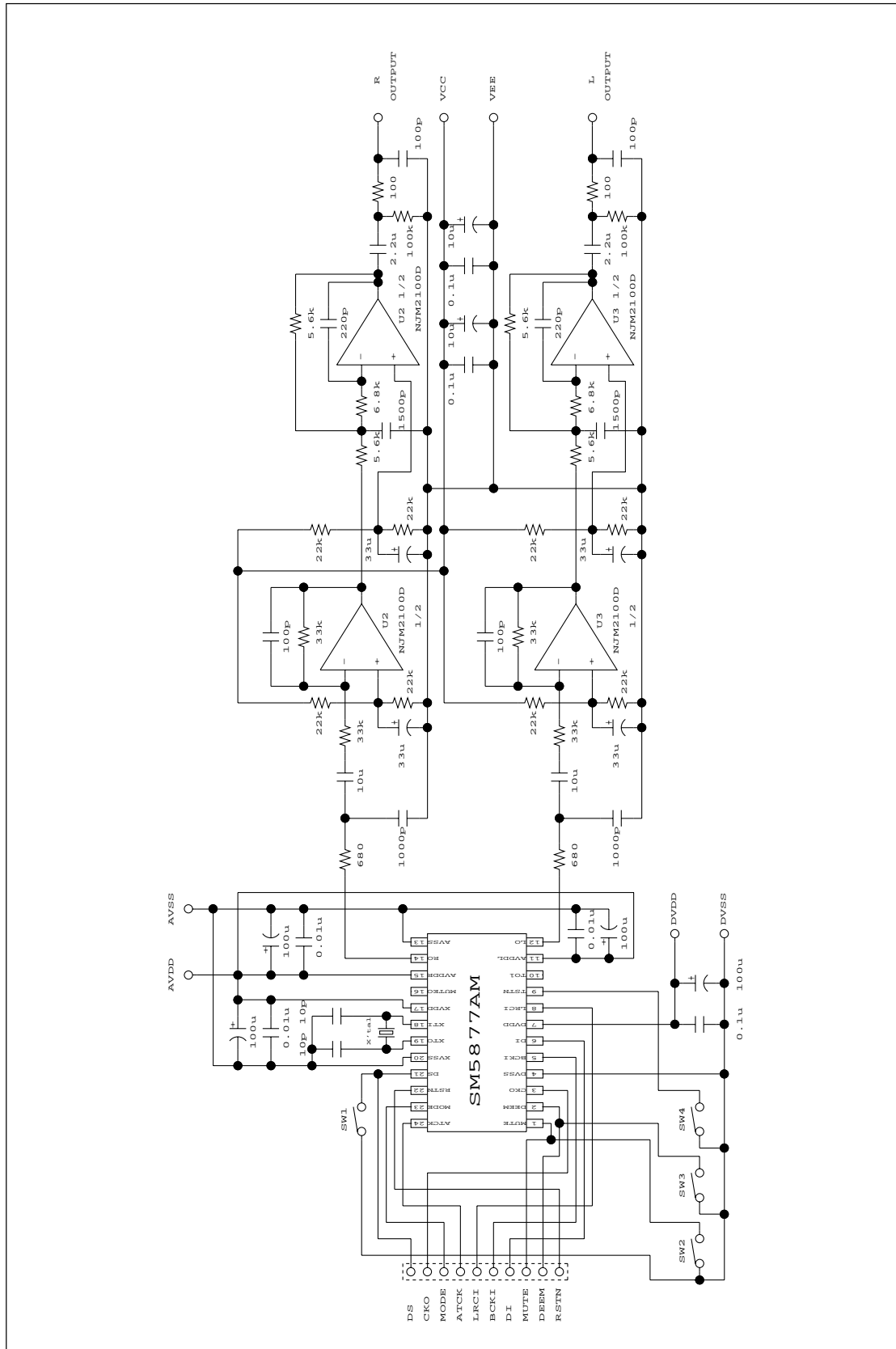


Measurement conditions

Parameter ¹	Symbol	3346A left/right-channel selector switch	AD725C distortion analyzer with built-in filter
Total harmonic distortion	THD + N	THRU	20 kHz lowpass filter ON 400 Hz highpass filter OFF
Output level	V_{out}		
Dynamic range	DR	D-RANGE	
Signal-to-noise ratio	S/N	THRU	20 kHz lowpass filter ON 400 Hz highpass filter OFF JIS A filter ON
Channel separation	Ch. Sep	THRU	20 kHz lowpass filter ON 400 Hz highpass filter OFF

1. Pins LO and RO should have an output load of 10 kΩ (min).

Measurement circuit



FUNCTIONAL DESCRIPTION

System Clock/Speed Switching (XTI, XTO, CKO, DS)

The system clock on XTI can be set to run at one of two speeds, 384fs (normal speed) or 192fs (double-speed), where fs is the input frequency on LRCI. The speed for CD playback is set by the input level on DS, as shown in table 1. The system clock should be fixed at 16.9344 MHz.

Table 1. System clock select

Parameter	Symbol	DS	
		LOW (normal speed)	HIGH (double speed)
XTI input clock frequency	f_{XI} (= $1/t_{XI}$)	384fs	192fs
CD playback XTI frequency	f_{XI}	16.9344 MHz at fs = 44.1 kHz	16.9344 MHz at fs = 88.2 kHz
CKO output clock frequency	f_{CO}	384fs	192fs
Internal system clock period	T_{SYS}	t_{XI}	t_{XI}

Note that the input clock accuracy and signal-to-noise ratio greatly influence the AC analog characteristics. Accordingly, care should be taken to ensure that the clock is free from jitter.

The system clock can be controlled by a crystal oscillator comprising a crystal connected between XTI and XTO and the built-in CMOS inverter. Alternatively, an external system clock can be input on XTI. As the internal CMOS inverter has a feedback resistor, the external clock can be AC coupled to XTI. The system clock is output on CKO.

System Reset (RSTN)

The device should be reset in the following cases.

- At power ON
- When LRCI and/or the system clock XTI stop, or other abnormalities occur.

The device is reset by applying a LOW-level pulse on RSTN. At system reset, the internal arithmetic operation and output timing counter are synchronized on the next LRCI rising edge, as shown in figure 1.

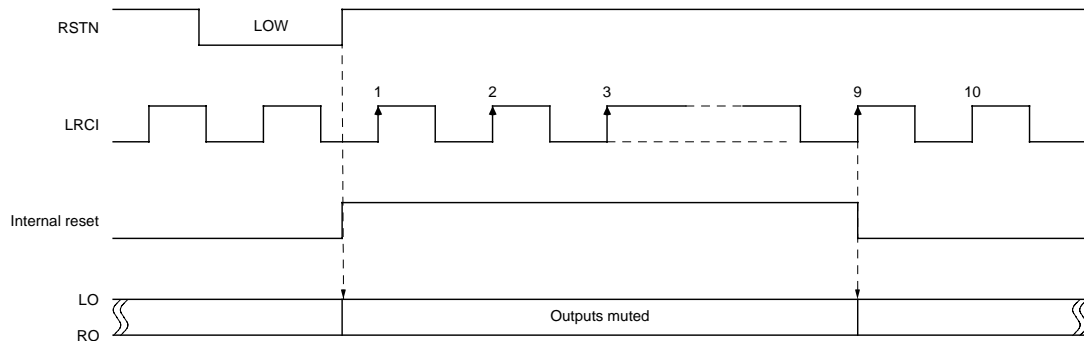


Figure 1. System reset timing

Audio Data Input (DI, BCKI, LRCI)

The digital audio data is input on DI in MSB-first, 2s-complement, 16-bit serial format.

Serial data bits are read into the SIPO register (serial-to-parallel converter register) on the rising edge of the bit clock BCKI.

The arithmetic operation and output timing are independent of the input timing. Accordingly, after a reset,

as long as the clock frequency ratio between LRCI and the system clock XTI is maintained, phase differences between LRCI, BCKI and the system clock XTI do not affect the functional operation. Also, any jitter present on the data input clock does not appear as output pulse jitter.

The bit clock frequency on BCKI should be between 32fs and 64fs.

Deemphasis Filter (DEEM)

The built-in digital deemphasis filter is designed to operate at 44.1 kHz. Deemphasis is ON when DEEM is HIGH, and OFF when DEEM is LOW.

Attenuation (MDT, MCK, MLEN)

The digital attenuation mode is selected when MODE is LOW. The attenuator operates by multiplying the internal 6-bit up/down counter's output data with the signal data.

The direction of the 6-bit up/down counter is controlled by the level on MUTE (down when MUTE is HIGH, and up when MUTE is LOW). The count is advanced on the rising edge of ATCK.

When the count reaches 0 (down) or 63 (up), the counter automatically stops.

The gain is set by the counter contents DATT as follows.

$$\text{Gain} = 20 \times \log\left(\frac{\text{DATT}}{63}\right) [\text{dB}]$$

Upon system initialization or when MODE changes state, DATT is set to 63, which corresponds to the maximum gain of 0 dB as shown in table 2.

Table 2. Attenuator gain

DATT	Gain (dB)	DATT	Gain (dB)	DATT	Gain (dB)	DATT	Gain (dB)
63	0.0	47	-2.545	31	-6.160	15	-12.465
62	-0.139	46	-2.732	30	-6.444	14	-13.064
61	-0.280	45	-2.923	29	-6.739	13	-13.708
60	-0.424	44	-3.118	28	-7.044	12	-14.403
59	-0.570	43	-3.317	27	-7.360	11	-15.159
58	-0.718	42	-3.522	26	-7.687	10	-15.987
57	-0.869	41	-3.731	25	-8.028	9	-16.902
56	-1.023	40	-3.946	24	-8.383	8	-17.925
55	-1.180	39	-4.166	23	-8.752	7	-19.085
54	-1.339	38	-4.391	22	-9.138	6	-20.424
53	-1.501	37	-4.623	21	-9.542	5	-22.007
52	-1.667	36	-4.861	20	-9.966	4	-23.946
51	-1.835	35	-5.105	19	-10.412	3	-26.444
50	-2.007	34	-5.357	18	-10.881	2	-29.966
49	-2.183	33	-5.617	17	-11.378	1	-35.987
48	-2.362	32	-5.884	16	-11.904	0	$-\infty$

Soft Mute (SMUTE)

Soft mute mode is selected when MODE is HIGH. The up/down counter is switched to internal clock drive, and soft mute operation is controlled by MUTE only.

When MUTE goes HIGH, the up/down counter counts down. The total time to go from 0 to maximum mute is 1024/fs. This corresponds to approximately 23.2 ms at fs = 44.1 kHz.

When MUTE is LOW, soft mute is released. The attenuation counter output counts up, increasing the gain. The time taken to return to 0 dB is also 1024/fs. Soft mute operation is shown in figure 2.

Upon system initialization or when MODE changes state, mute is released, which corresponds to the maximum gain of 0 dB.

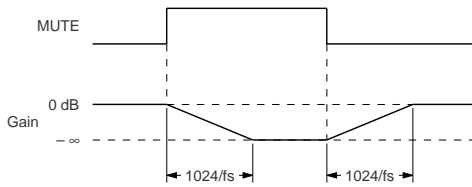


Figure 2. Soft mute operation example

Infinity-Zero (MUTEO)

The SM5877AM outputs an infinity-zero detection output signal under the following circumstances.

- From immediately after a reset input on RSTN until the initialization cycle finishes and the first data cycle occurs.
- When an infinity-zero occurs in the input data. When an infinity-zero is detected, a period of $2^{14} \times (1/fs) \approx 0.37$ seconds takes place before MUTEO goes HIGH.

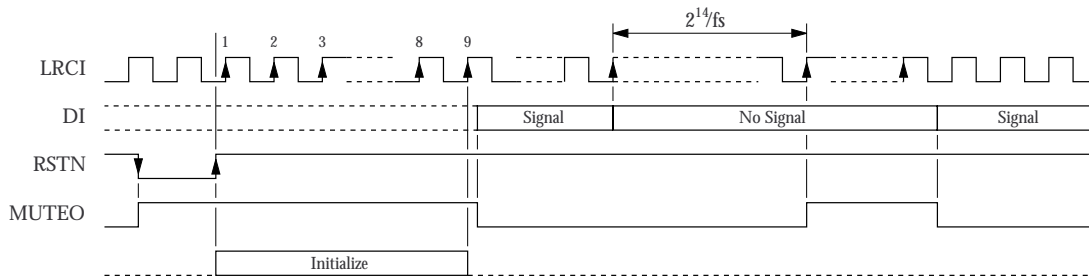
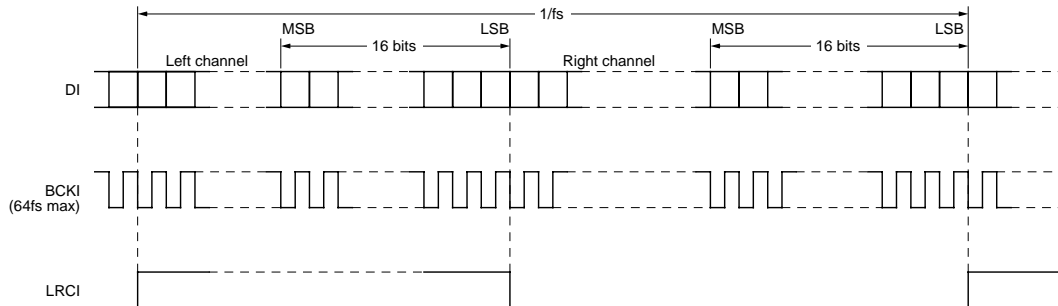


Figure 3. MUTEO output timing

TIMING DIAGRAMS

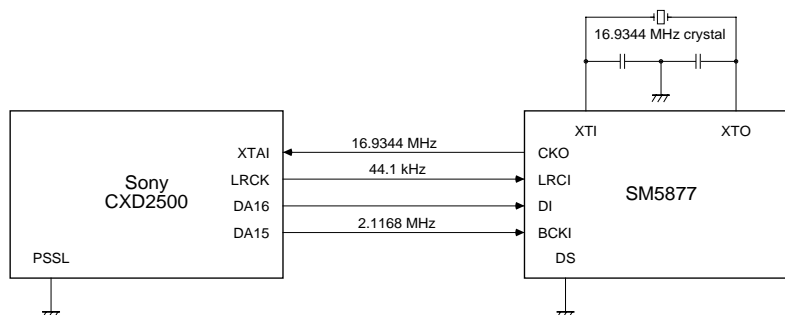
Input Timing (DI, BCKI, LRCI)

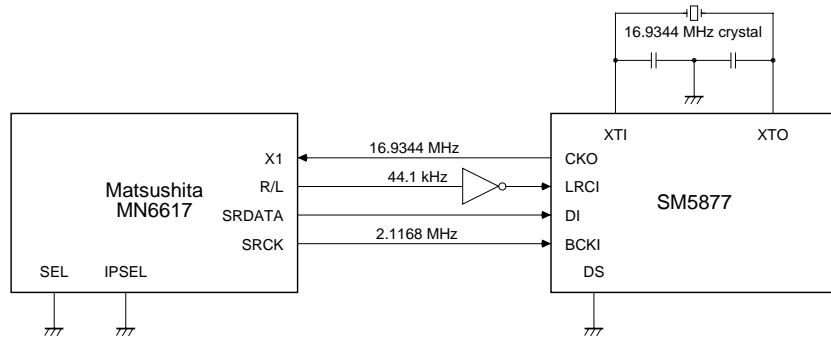


TYPICAL APPLICATIONS

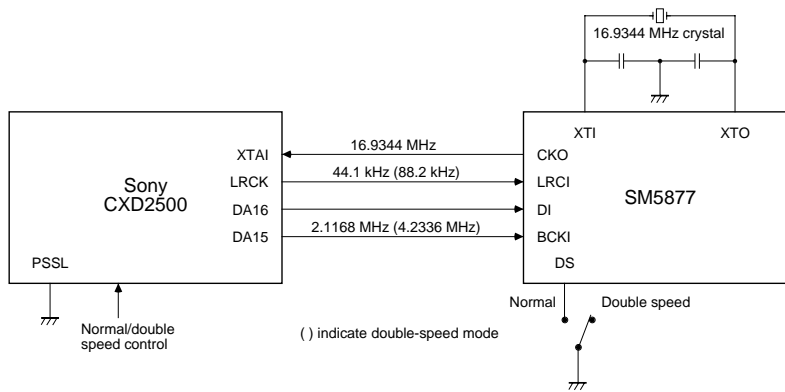
Input Interface Circuits

Normal Speed





Double Speed



Note that the output analog characteristics and other specifications are not guaranteed for a particular format or application circuit. Pins LO and RO should have an output load of 10 kΩ (min).

NIPPON PRECISION CIRCUITS INC. reserves the right to make changes to the products described in this data sheet in order to improve the design or performance and to supply the best possible products. Nippon Precision Circuits Inc. assumes no responsibility for the use of any circuits shown in this data sheet, conveys no license under any patent or other rights, and makes no claim that the circuits are free from patent infringement. Applications for any devices shown in this data sheet are for illustration only and Nippon Precision Circuits Inc. makes no claim or warranty that such applications will be suitable for the use specified without further testing or modification. The products described in this data sheet are not intended to use for the apparatus which influence human lives due to the failure or malfunction of the products. Customers are requested to comply with applicable laws and regulations in effect now and hereinafter, including compliance with export controls on the distribution or dissemination of the products. Customers shall not export, directly or indirectly, any products without first obtaining required licenses and approvals from appropriate government agencies.

<p>NIPPON PRECISION CIRCUITS INC.</p>	<p>NIPPON PRECISION CIRCUITS INC. 4-3, Fukuzumi 2-chome Koto-ku, Tokyo 135-8430, Japan Telephone: 03-3642-6661 Facsimile: 03-3642-6698</p>
---------------------------------------	--