



Micro Commercial Components
 21201 Itasca Street Chatsworth
 CA 91311
 Phone: (818) 701-4933
 Fax: (818) 701-4939

RB400D THRU RB411D

Features

- Low Turn-on Voltage
- Fast Switching
- PN Junction Guard Ring for Transient and ESD Protection

0.5 Amp Surface Mount Schottky Barrier Diode 20 to 40 Volts

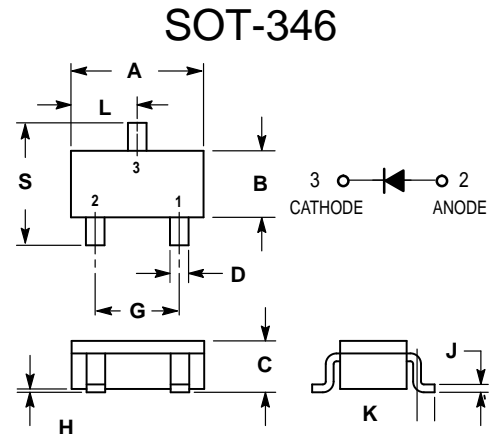
Mechanical Data

- Case :SOT-346,Molded Plastic
- Terminals :Solderable per MIL-STD-202,Method 208
- Polarity :See Diagrams Below
- Weight :0.008 grams (approx)
- Mounion Position :Any

Maximum Ratings

- Operating Temperature: -25°C to +125°C
- Storage Temperature: -50°C to +125°C

| MCC Catalog Number | Device Marking | Maximum Recurrent Peak Reverse Voltage | Maximum RMS Voltage | Maximum DC Blocking Voltage |
|--------------------|----------------|--|---------------------|-----------------------------|
| RB411 D | 05T | 20V | 14V | 20V |
| RB400 D | 05F | 40V | 28V | 40V |

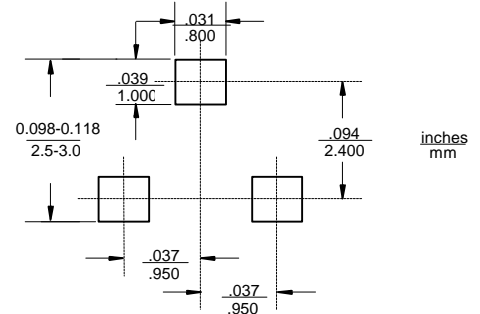


| DIM | DIMENSIONS | | | | NOTE |
|-----|------------|------|------|------|------|
| | INCHES | | MM | | |
| | MIN | MAX | MIN | MAX | |
| A | .106 | .122 | 2.70 | 3.10 | |
| B | .051 | .067 | 1.30 | 1.70 | |
| C | .039 | .051 | 1.00 | 1.30 | |
| D | .014 | .020 | 0.35 | 0.50 | |
| G | .067 | .091 | 1.70 | 2.30 | |
| H | .000 | .004 | 0.00 | 0.10 | |
| J | .004 | .010 | 0.10 | 0.26 | |
| K | .008 | .024 | 0.20 | 0.60 | |
| L | .049 | .065 | 1.25 | 1.65 | |
| S | .089 | .118 | 2.25 | 3.00 | |

Electrical Characteristics @ 25°C Unless Otherwise Specified

| | | | |
|---|-------------|----------------|---|
| Average Forward Current | $I_{F(AV)}$ | 0.5A | $T_A = 90^\circ\text{C}$ |
| Peak Forward Surge Current | I_{FSM} | 3A | 8.3ms, half sine |
| Maximum Forward Voltage Drop Per Element | V_F | 0.45V 0.53V | $I_{FM} = 0.5A$ $T_J = 25^\circ\text{C}$ |
| Maximum DC Reverse Current At Rated DC Blocking Voltage | I_R | 100µA 4.0mA | $T_J = 25^\circ\text{C}$ $T_J = 100^\circ\text{C}$ |

Suggested Solder Pad Layout



*Pulse Test: Pulse Width 300µsec, Duty Cycle 1%

RB400D thru RB411D

RATING AND CHARACTERISTIC CURVES

FIG.1-TYPICAL FORWARD CHARACTERISTICS

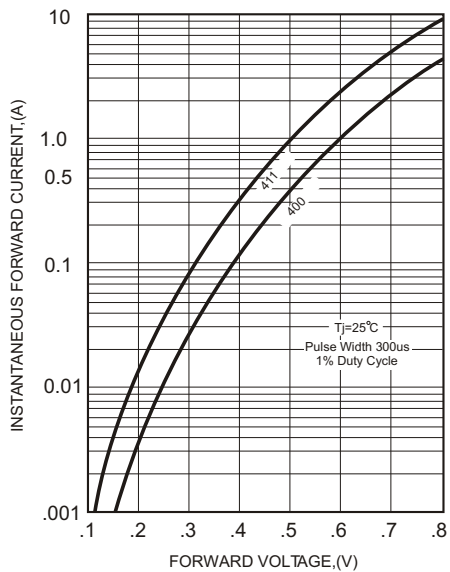


FIG.2-TYPICAL FORWARD CURRENT DERATING CURVE

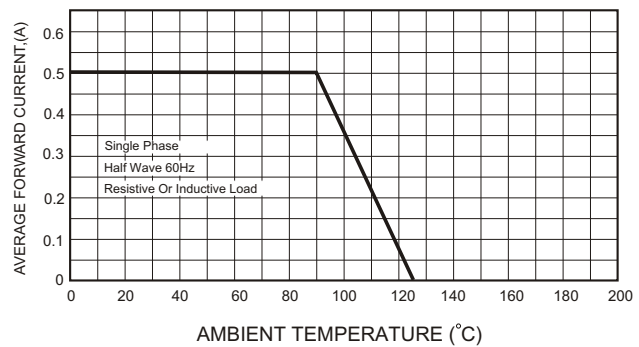


FIG.3 - TYPICAL REVERSE CHARACTERISTICS

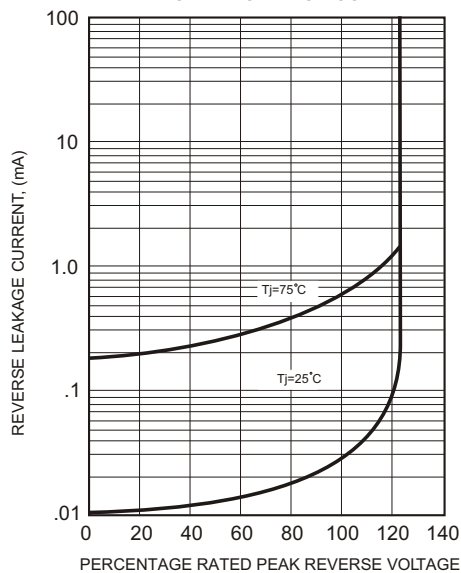


FIG.4-TYPICAL JUNCTION CAPACITANCE

