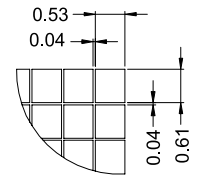
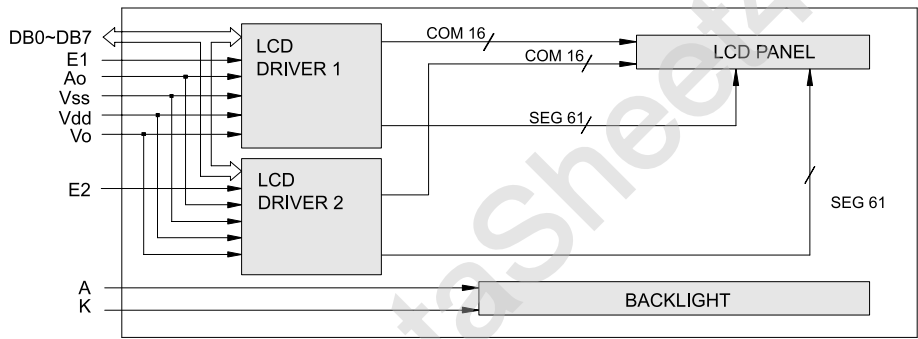
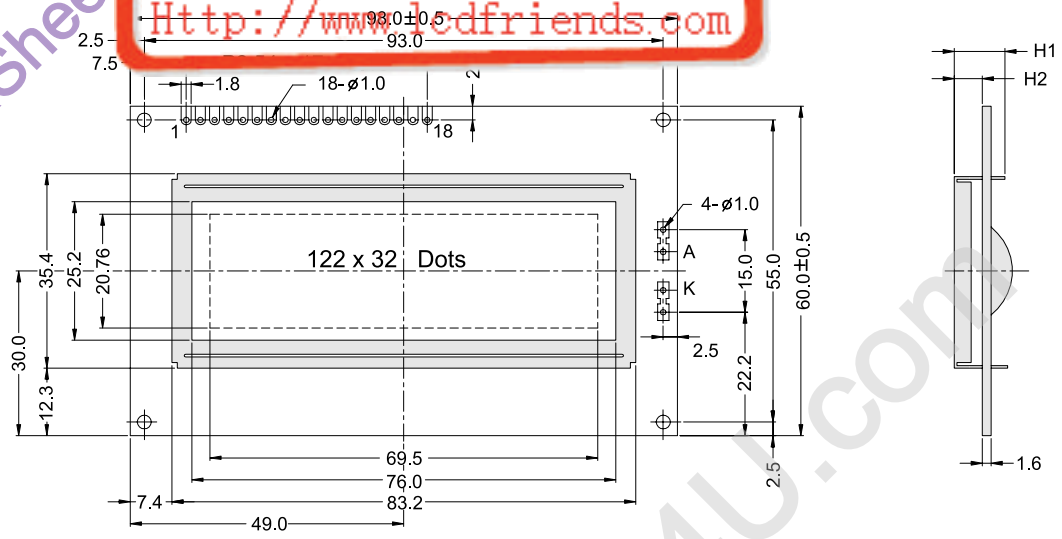


OUTLINE DIMENSION & BLOCK DIAGRAM

www.DataSheet4U.com  
 电话: 020-33819057  
[Http://www.lcdfriends.com](http://www.lcdfriends.com)



The tolerance unless classified  $\pm 0.3\text{mm}$

| MECHANICAL SPECIFICATION |             |           |            |
|--------------------------|-------------|-----------|------------|
| Overall Size             | 98.0 x 60.0 | Module    | H2 / H1    |
| View Area                | 76.0 x 25.2 | W / O B/L | 5.0 / 9.1  |
| Dot Size                 | 0.53 x 0.61 | EL B/L    | - / -      |
| Dot Pitch                | 0.57 x 0.65 | LED B/L   | 9.4 / 13.5 |

| PIN ASSIGNMENT |          |                              |
|----------------|----------|------------------------------|
| Pin no.        | Symbol   | Function                     |
| 1              | Vss      | Power supply(GND)            |
| 2              | Vdd      | Power supply(+)              |
| 3              | Vo       | Contrast Adjust              |
| 4              | Ao       | Command / data select        |
| 5              | E1       | Enable driver 1              |
| 6              | E2       | Enable driver 2              |
| 7              | DB0      | Data bus line                |
| 8              | DB1      | Data bus line                |
| 9              | DB2      | Data bus line                |
| 10             | DB3      | Data bus line                |
| 11             | DB4      | Data bus line                |
| 12             | DB5      | Data bus line                |
| 13             | DB6      | Data bus line                |
| 14             | DB7      | Data bus line                |
| 15             | A        | Power supply for LED B/L (+) |
| 16             | K        | Power supply for LED B/L (-) |
| 17             | N.C      | No connection                |
| 18             | N.C(R/W) | No connection (R/W)          |

| ABSOLUTE MAXIMUM RATING    |         |           |      |         |       |
|----------------------------|---------|-----------|------|---------|-------|
| Item                       | Symbol  | Condition | Min. | Max.    | Units |
| Supply for logic voltage   | Vdd-Vss | 25°C      | -0.3 | 8.0     | V     |
| LCD driving supply voltage | Vdd-Vee | 25°C      | -0.3 | 16.5    | V     |
| Input voltage              | Vin     | 25°C      | -0.3 | Vdd+0.3 | V     |

| ELECTRICAL CHARACTERISTICS       |           |           |      |         |      |       |     |     |   |
|----------------------------------|-----------|-----------|------|---------|------|-------|-----|-----|---|
| Item                             | Symbol    | Condition | Min. | Typical | Max. | Units |     |     |   |
| Power supply voltage             | Vdd-Vss   | 25°C      | 2.7  |         | 5.5  | V     |     |     |   |
| LCD operation voltage            | Vop       | Top       | N    | W       | N    | W     | N   | W   | V |
|                                  |           | -20°C     | -7.2 | -       | 7.4  | -     | 6.9 | -   | V |
|                                  |           | 0°C       | 4.9  | -       | 5.1  | -     | 4.6 | -   | V |
|                                  |           | 25°C      | 4.5  | 6.2     | 4.7  | 6.4   | 4.2 | 5.9 | V |
|                                  |           | 50°C      | 3.5  | -       | 3.7  | -     | 3.3 | -   | V |
|                                  |           | 70°C      | -    | 5.6     | -    | 5.8   | -   | 5.4 | V |
| LCM current consumption (No B/L) | Idd       | Vdd=5V    | -    | 1.0     | 2.5  | mA    |     |     |   |
| Backlight current consumption    | LED/edge  | VB/L=4.2V | -    | -       | -    | mA    |     |     |   |
|                                  | LED/array | VB/L=4.2V | -    | 260     | -    | mA    |     |     |   |