



Bargraph Display

10 Red LED with driver circuit

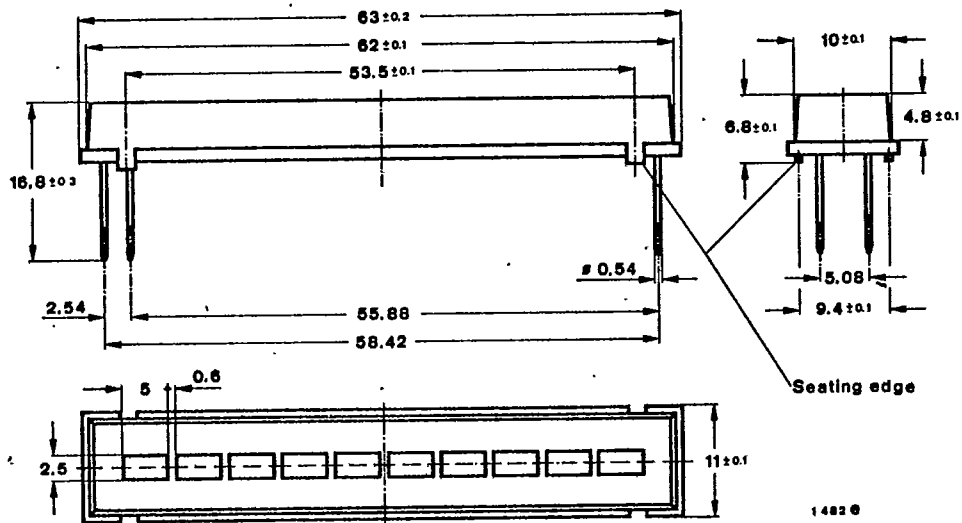
T-41-37
F-19-36

Application: Analogue voltage indicator as bargraph display

Features:

- Built-in IC
- No external components necessary
- 10 linear display stages-soft transition
- High input resistance
- Very low cross talk
- Wide viewing angle

Dimensions in mm



1482 0

Filter cap: red
Angle of half intensity
 $\varphi = \pm 30^\circ$
Weight max. 6 g

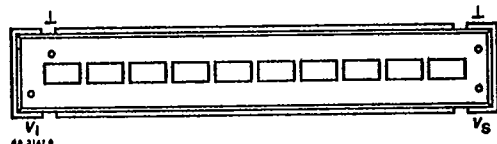


Fig. 1 Pin connections

D 620 P

T-41-37
F-19-36

www.DataSheet4U.com

Absolute maximum ratings

Supply voltage	V_S	15	V
Supply current	I_S	53	mA
Input voltage	V_I	5	V
Input current	I_I	1	mA
Total power dissipation $T_{amb} = 40\text{ °C}$	P_{tot}	800	mW
Junction temperature			
IC	T_J	150	°C
LED	T_J	100	°C
Ambient temperature range	T_{amb}	-10...+50	°C
Storage temperature range	T_{stg}	-25...+85	°C
Soldering temperature range 2 mm from case, $t = 2\text{ s}$	T_{sd}	260	°C

Maximum thermal resistance

Junction ambient	R_{thJA}	130	K/W
------------------	------------	-----	-----

Optical and electrical characteristics

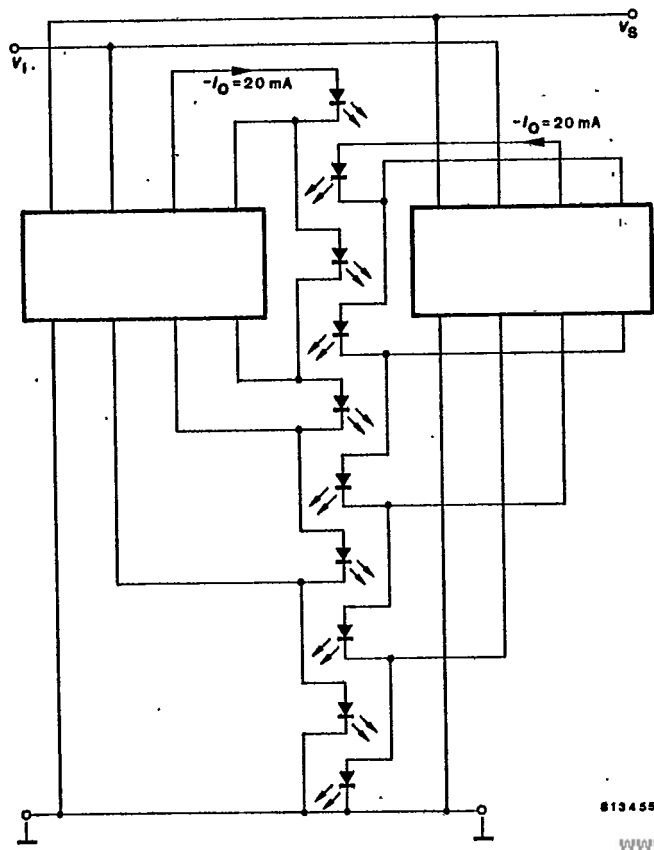
$V_S = 12\text{ V}$, $T_{amb} = 25\text{ °C}$

Supply voltage range	V_S	12	15	V
Total supply current	I_S	30	53	mA
Input current	$-I_I$		5	nA
Input voltages of soft transitions	V_I	110; 200		mV
	V_I	290; 380		mV
	V_I	470; 560		mV
	V_I	650; 740		mV
	V_I	830; 920		mV
Luminous intensity per segment	I_v	150		µcd
Matching factor				
$m = \frac{I_{vmin}}{I_{vmax}}$	m	0.5		
Dominant wavelength	λ_D			nm

www.DataSheet4U.com

D 620 P

T-41-37
F-19-36



8134550

Fig. 2 Diagram