

SCHOTTKY BARRIER DIODES LEADLESS PACKAGE FOR SURFACE MOUNT

Qualified per MIL-PRF-19500/444

DEVICES

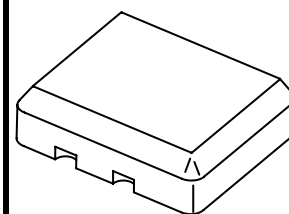
1N5711UB	1N5711UBCA	1N5711UBCC	1N5711UBD
1N5712UB	1N5712UBCA	1N5712UBCC	1N5712UBD

QUALIFIED LEVELS

JAN
JANTX
JANTXV
JANS

MAXIMUM RATING AT 25°C

Operating Temperature:	-65°C to +150°C	
Storage Temperature:	-65°C to +150°C	
Operating Current:	5711 types	:33mA dc @ T _{SP} = +140°C
	5712 types	:75mA dc @ T _{SP} = +130°C
Derating:	all types	:Derate to 0 (zero) mA dc @ +150°C



3 PIN

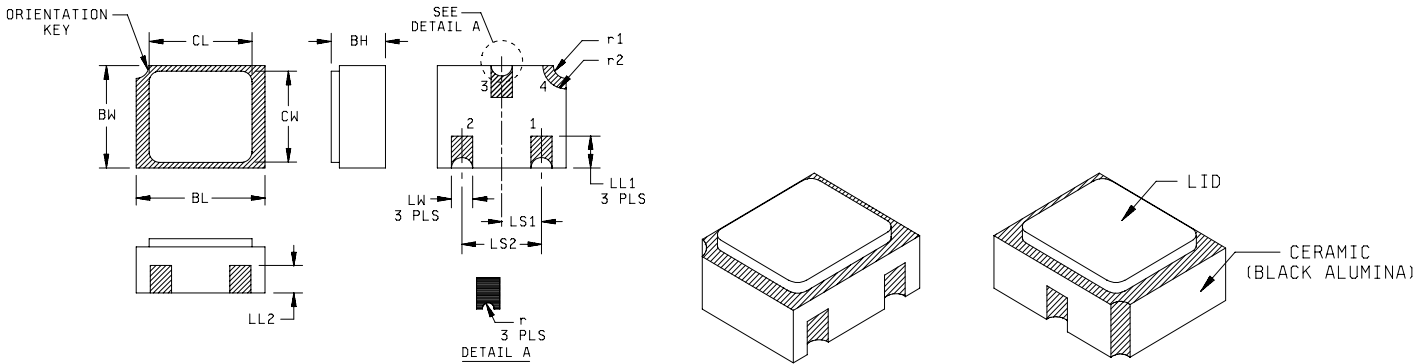
ELECTRICAL CHARACTERISTICS (TA = 25°C, unless otherwise specified)

TYPE NUMBER	MINIMUM BEAKDOWN VOLTAAGE	MAXIMUM FORWARD VOLTAGE	MAXIMUM FORWARD VOLTAGE	MAXIMUM REVERSE LEAKAGE CURRENT		MAXIMUM CAPACITANCE @ V _R = 0 VOLTS f = 1.0MHz	ESDS CLASS
	V _{BR} @ 10µA	V _F @ 1mA	V _F @ I _F	I _R @ V _R		C _T	
	VOLTS	VOLTS	VOLTS @ mA	nA	VOLTS	PICO FARADS	
1N5711	70	0.41	1.0 @ 15	200	50	2.0	1
1N5712	20	0.41	1.0 @ 35	150	16	2.0	1

NOTE:

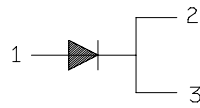
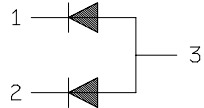
- Effective Minority Carrier Lifetime (τ) is 100 Pico Seconds

PACKAGE DIMENSIONS



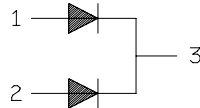
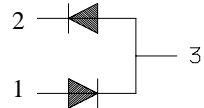
Symbol	Dimensions				Symbol	Dimensions			
	Inches		Millimeters			Inches		Millimeters	
	Min	Max	Min	Max		Min	Max	Min	Max
BH	.046	.056	1.17	1.42	LS ₁	.035	.040	0.89	1.02
BL	.115	.128	2.92	3.25	LS ₂	.071	.079	1.81	2.01
BW	.085	.108	2.16	2.74	LW	.016	.024	0.41	0.61
CL		.128		3.25	r		.008		0.20
CW		.108		2.74	r ₁		.012		0.31
LL1	.022	.038	0.56	0.96	r ₂		.022		0.56
LL2	.017	.035	0.43	0.89					

1N5711UBCA
1N5712UBCA



1N5711UB
1N5712UB

1N5711UBD
1N5712UBD



1N5711UBCC
1N5712UBCC

NOTES:

- Dimensions are in inches.
- Millimeters are given for general information only.
- Hatched areas on package denote metallized areas.
- Pad 4 = Shielding connected to the lid.
- In accordance with ASME Y14.5M, diameters are equivalent to Φ x symbology.

Physical dimensions, surface mount (UB version)