

62035
1N5765
1N6092
1N6093
1N6094
**JAN QUALIFIED HERMETIC
LED INDICATORS**
Mii
**OPTOELECTRONIC PRODUCTS
DIVISION**
Features:

- Hermetically sealed
- Choice of colors (Red, Yellow, Green)
- Wide Viewing Angle
- Panel Mount versions with wire wrappable leads
- Designed for Hi-Reliability applications

Applications:

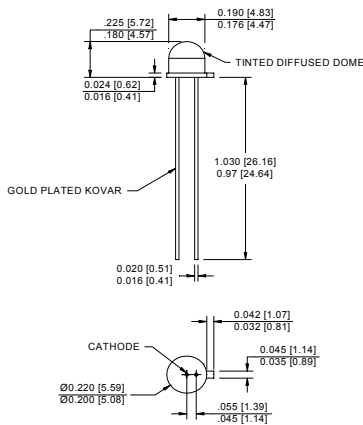
- P.C. Board Fault Indicator
- Logic Status Indicator
- Binary Data Display
- Power supply on/off indicator

DESCRIPTION

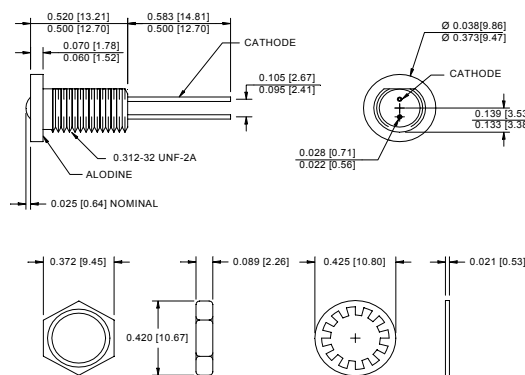
The **1N5765**, **1N6092**, **1N6093** and **1N6094** series indicators are hermetically sealed in TO-46 packages. A tinted diffused dome lens provides good on/off contrast and a wide viewing angle. The 1N5765 indicator utilizes a GaAsP on GaAs LED. The 1N6092 (red) and 1N6093 (yellow) indicators utilize a high efficiency GaAsP on GaP LED, while the 1N6094 indicator utilizes a GaP on GaP LED. Each type uses a colored diffused plastic lens over a glass window. All versions are available in standard, JAN or JANTX screened levels.

ABSOLUTE MAXIMUM RATINGS

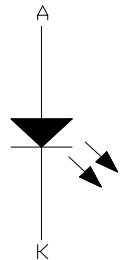
Storage Temperature.....	-65°C to +100°C
Operating Temperature.....	-55°C to +100°C
Reverse Voltage.....	5Vdc
Reverse Voltage (1N5765).....	4Vdc
Power Dissipation (Derate at the rate of 2.4 mW/°C above 50°C).....	120mW
Power Dissipation (1N5765)....(Derate at the rate of 3.0 mW/°C above 50°C).....	150mW
Forward Current-Continuous.....	35mA
Forward Current-Continuous (1N5765).....	50mA
Lead Soldering Temperature (1/16" (1.6mm) from case for 10 seconds).....	260°C
Maximum Mounting Torque (Panel mount version).....	25in•lbs

Indicator Dimensions

ALL DIMENSIONS ARE IN INCHES (MILLIMETERS)

Panel Mount Dimensions**NOTES:**

1. ALL EXTERNAL METAL SURFACES OF THE PACKAGE ARE BLACK ANODIZED EXCEPT FOR THE ALODINE AREA OF THE FLANGE AND THE GOLD-PLATED LEADS.
2. MOUNTING HARDWARE WHICH INCLUDES ONE LOCK WASHER AND ONE HEX NUT IS INCLUDED WITH EACH PANEL MOUNTABLE HERMETIC SOLID STATE LAMP.

Schematic Diagram

***ELECTRICAL/OPTICAL CHARACTERISTICS TA=25°C**

PART NUMBER	COLOR	TEST CONDITION	PARAMETER LIMITS				
			PEAK λ	$I_{V1\theta = 0^\circ}$	$I_{V2\theta = 30^\circ}$	V_F	C
		I_F					
		mA	TYP.	MIN.	MIN.	MAX.	MAX.
1N5765	RED	20	655	.5mcd	.3 mcd.	2V	300pF
1N6092 M19500/519	RED	20	635	3 mcd	1.5 mcd.	3V	100pF
1N6093 M19500/520	YELLOW	20	585	3 mcd	1.5 mcd.	3V	100pF
1N6094 M19500/521	GREEN	20	570	3 mcd	1.5 mcd.	3V	100pF

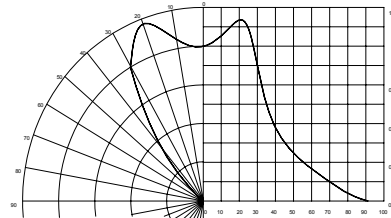
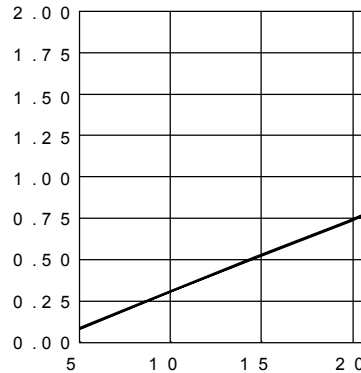
RED/YELLOW

I_F - Forward Current - mA
 Relative Luminous Intensity
 vs
 Forward Current
 (Normalized at 20mA)

GREEN

I_F - Forward Current - mA
 Relative Luminous Intensity
 vs
 Forward Current
 (Normalized at 25mA)

Relative Luminous Intensity vs. Angular Displacement



RECOMMENDED OPERATING CONDITIONS:

PARAMETER	SYMBOL	MIN	MAX	UNITS
Forward	I_F	20	35	mA
Operating Temperature	T_A	-65	+100	°C

SELECTION GUIDE

PART NUMBER	PART DESCRIPTION	CONTROLLING MIL DOCUMENT
JAN or JANTX1N5765*	TO-46 LED Indicator	MIL-PRF-19500/467
JAN or JANTX1N6092	TO-46 LED Indicator	MIL-PRF-19500/519A
JAN or JANTXM19500/519	Panel Mount Version, LED Indicator	MIL-PRF-19500/519A
JAN or JANTX1N6093	TO-46 LED Indicator	MIL-PRF-19500/520A
JAN or JANTXM19500/520	Panel Mount Version, LED Indicator	MIL-PRF-19500/520A
JAN or JANTX1N6094	TO-46 LED Indicator	MIL-PRF-19500/521A
JAN or JANTXM19500/521	Panel Mount Version, LED Indicator	MIL-PRF-19500/521A

NOTE:

1. JAN Quality level is designated by adding -01 to part #.
2. JANTX Quality level is designated by adding -02 to part #.

*Panel mount version available from factory