

D Series



12 Volt Input Dc to Ac Inverter

D10mD65JF



The D10mD65JF is a generic dc to ac inverter designed to generate 6.5 marms into a 750 - 950 volt load (CCFL) from a nominal 12 volt dc source. It can be easily dimmed using an external analog control signal.

FEATURES

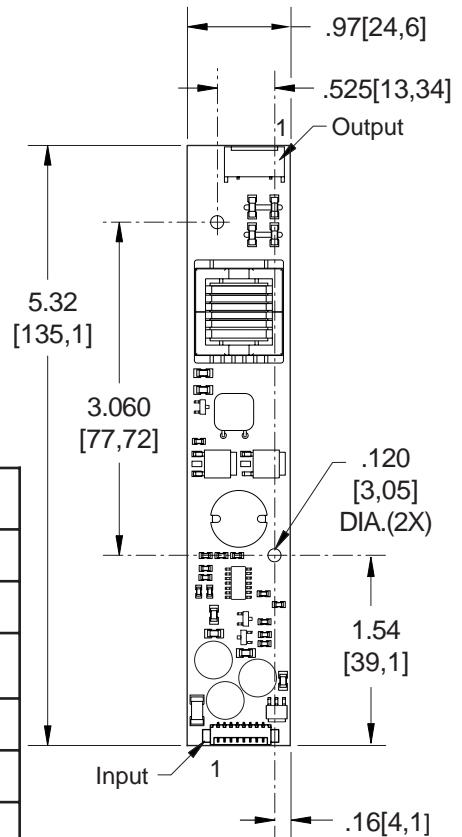
- Low Profile
- Display compatible connector
- High efficiency

PHYSICAL SPECIFICATIONS

- Size: .97" x 5.32" x .39"
(24,6mm x 135,1mm x 10mm)
- Weight: 15 grams
- Operating Temperature: 0° to +85°C
- Component Surface Temperature: -20° to +80°C
- Humidity: 95% RH Max

Characteristics	Value	Units	Note(s)
Input Voltage	10.8 - 13.2	Volts dc	
Input Current	.57 typ	Adc	$R_L = 131 \text{ Kohms}$
Minimum No Load Output Voltage	2100	Vrms	$V_{in} = 12.00 \text{ Vdc}$
Frequency	35typ	Khz	$V_{in} = 12.00 \text{ Vdc}$
Output Current	6.5	marms	$R_L = 131 \text{ Kohms}$
Efficiency	81	%	Typical

The maximum input current (which indicates an overload condition) is 1.0 Adc maximum



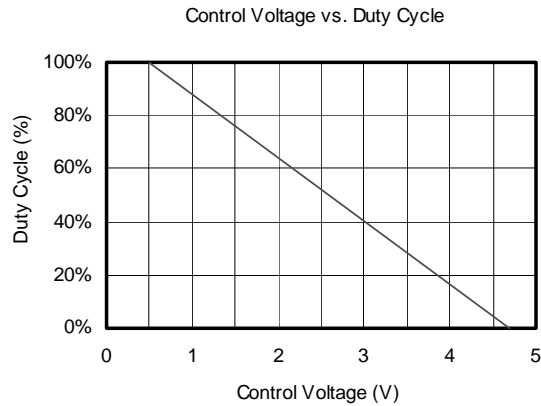
- Input Connector: Molex 53261-0871
- Output Connector: JST SM02(8.0)B-BHS-1-TB or
Yeon Ho 20015WR-05A00

Inverters specifically designed to match most popular LCD modules are also available. Contact your authorized distributor or ERG direct.

Endicott Research Group, Inc.

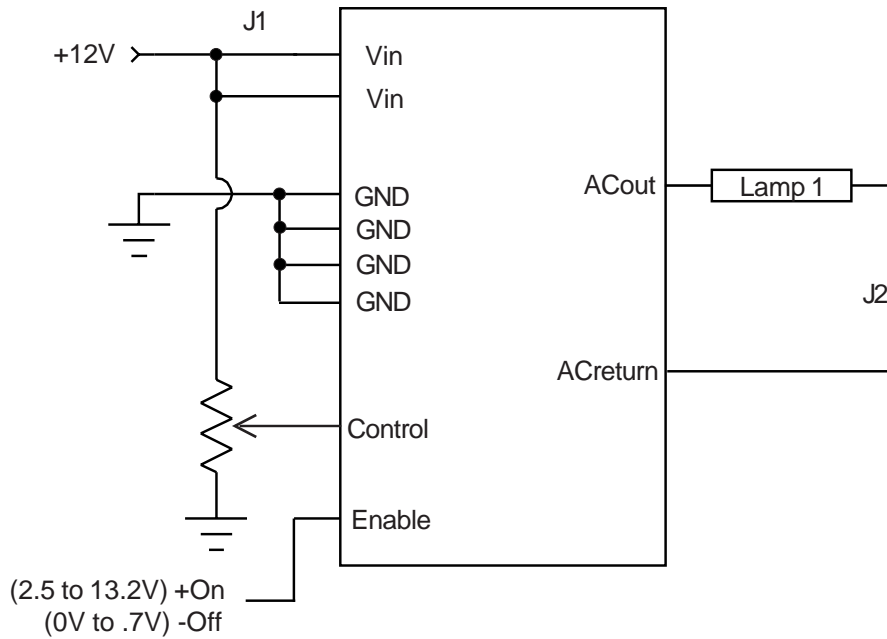
2601 Wayne St., Endicott, NY 13760
607-754-9187 Fax 607-754-9255
<http://www.ergpower.com>

Pin Designation	
J1-1 Vin(+)	J2-1 ACout
J1-2 Vin(+)	J2-2 ACreturn
J1-3 GND	
J1-4 GND	
J1-5 Enable	
J1-6 Control	
J1-7 GND	
J1-8 GND	



Graph 1

Typical Application



Enable (pin J1-5)					
Characteristic	Symbol	Min	Typ	Max	Units
Turn-off Threshold	V_{thoff}	0	-	1	V
Turn-On Threshold	V_{thon}	2.5	-	V_{in}	V
Impedance to Vin	$R_{Disable}$	9.5	10	10.5	kOhms
PWM					
Characteristic	Symbol	Min	Typ	Max	Units
Frequency	f_{pwm}	-	160	-	Hz
Control Input Bias Current	I_{cbias}	-	-	10	μA

