



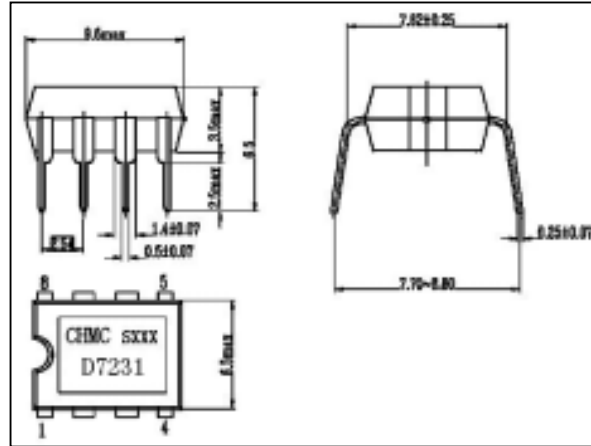
THE SMALL SCREEN VERTICAL DEFLECTION DRIVER

D7231

DESCRIPTION

The D7231 is a monolithic integrated circuit in 4 + 4 lead minidip package. It is intended for use in black and white TV receivers and monitors and also use as class AB power amplifier with wide range of supply voltage in portable radios, cassette recorders and players, etc.

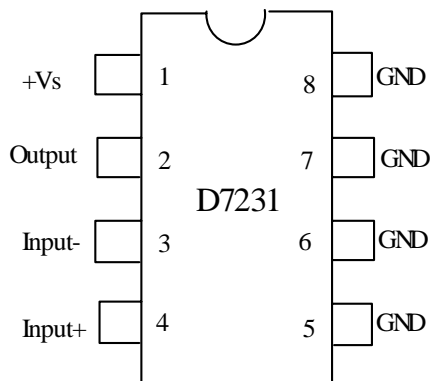
Outline Drawing



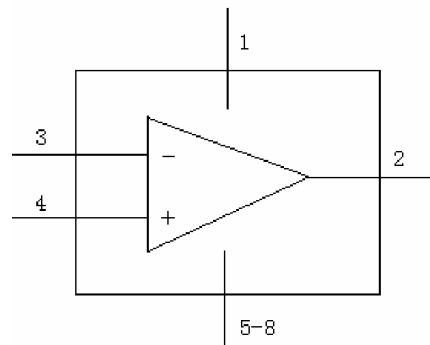
FEATURE

- Operating Voltage 1.8 To 15 V
- Low Quiescent Current
- High Power Capability
- Low Crossover Distortion
- Soft Clipping

PIN CONNECTION



BLOCK DIAGRAM



ABSOLUTE MAXIMUM RATINGS (Ta=25°C)

Characteristic	Symbol	Value	Unit
Supply Voltage	Vcc	16	V
Total Power Dissipation	Pd	Tamb=50°C	1.25
		Tamb=70°C	4
Output Peak Current	Io	1	A
Storage and Junction Temperature	Tstg,Tj	-40~150	°C

THERMAL DATA

Characteristic	Symbol	Value	Unit
Thermal Resistance Junction-ambient max.	Rth j-amb	80	°C/W
Thermal Resistance Junction-pins max.	Rth j-pins	15	°C/W

ELECTRICAL CHARACTERISTICS

(Unless otherwise specified: Ta=25°C, Vcc=6V)

Characteristics	Symbol	Test conditions	Min	Typ	Max	Unit	
Supply Voltage	Vcc		1.8		15	V	
Quiescent Output Voltage	Vo	Vcc=6V		2.7		V	
		Vcc=3V		1.2			
Quiescent Drain Current	Id			3.6	9	mA	
Input Bias Current	Ib			100		nA	
Output Saturation Voltage	Vsat1	Io=100mA			0.5	V	
	Vsat2	Io=-100mA			1.0		
Distortion	THD	Po=0.2W, f=1kHz, RL=8Ω		0.3		%	
Closed Loop Voltage Gain	Gv			38		dB	
Input Resistance	Rin	f=1kHz	100			kΩ	
Total Input Noise	en	Rs=10kΩ	B=Curve A		2		μV
			B=22Hz~22kHz		3		
Supply Voltage Rejection	SVR	Rg=10kΩ, f=100Hz	24	30		dB	

TEST CIRCUIT and APPLICATION CIRCUIT

