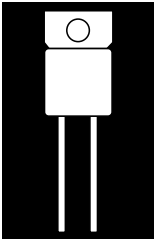


1N6778, JANTX1N6778, JANTXV1N6778
1N6779, JANTX1N6779, JANTXV1N6779

JANTX, JANTXV POWER RECTIFIER, SINGLE TO-257AA PACKAGE, QUALIFIED TO MIL-PRF-



400V & 600V, 15A, Ultra-Fast Power Rectifiers in
TO-257AA Hermetic 2 Pin Package

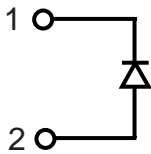
FEATURES

- High Current
- Isolated and Hermetically Sealed
- Low Forward Voltage
- Ultra-Fast
- Qualified to MIL-PRF-19500/647

DESCRIPTION

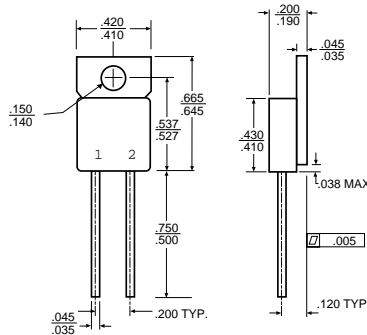
This hermetically packaged QPL product features the latest advanced silicon and packaging technology. It is ideally suited for Military low voltage rectifier requirements where small size, high performance and high reliability are required, and in applications such as switching power supplies, motor controls, inverters, choppers, audio amplifiers and high energy pulse circuits.

SCHEMATIC



1 = Cathode
2 = Anode

MECHANICAL OUTLINE



TO-257AA
2-Pin