

Optical Liquid Level Sensors D500A Series

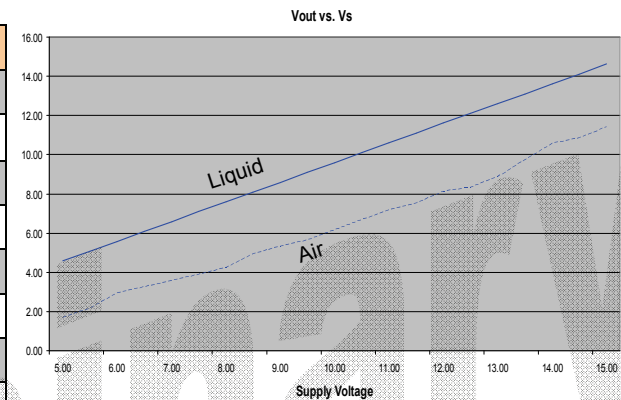


This liquid presence sensor has been developed to address the needs of high volume OEM applications. The sensor contains an infra-red emitter and detector accurately positioned to ensure good optical coupling between the two when the sensor is in air. When the sensor's cone is immersed in liquid, the infra-red light escapes from the cone causing a change in the amount of light at the detector.

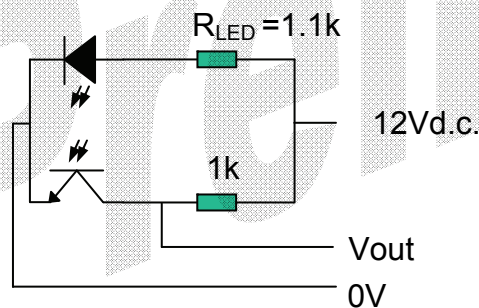
This configuration allows the customer to tailor the sensor electronics (supply, protection etc.) to their unique application.



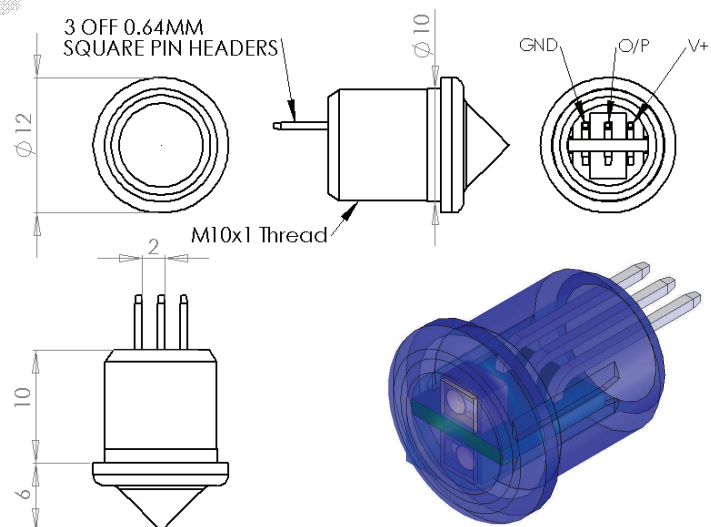
Housing	D500 M10 Thread
Repeatability	± 1 mm
Hysteresis	1 mm depending on liquid
Response Time: Rising Liquid	50 µS
Response Time: Falling Liquid	< 1 second
Supply Voltage (Vs)	Any (see below)
Supply Current	10 mA
Operating Temperature Range	-20°C to +85°C
Housing Material	Polysulphone UDEL 1700
Environmental	IP 67 Rated
Pressure Range	15 bar



Customizable for volume applications.
Also available with 3 wire output instead of pins.
(Part Number D500A3)



Drawing dimensions in millimetres



Typical installation: Customer has to select suitable resistors for their chosen supply voltage. Forward voltage of LED is 1.3V and LED current should be 10mA (depending on application liquid). Therefore, for a supply of Vs:

$$R_{LED} = \frac{(V_s - 1.3)V}{10mA} = \frac{12 - 1.3}{0.01} = 1070\Omega \approx 1.1k\Omega$$



© American Electronic Components Inc 2008

American Electronic Components Inc.,
1101 Lafayette Street, Elkhart, Indiana. USA
Tel: +1-574-295-6330 Fax: +1-574-293-8013
Email: sales@aecsensors.com
<http://www.aecsensors.com>