

# Balanced modulator/demodulator

# MC1496/MC1596

## DESCRIPTION

The MC1496 is a monolithic double-balanced modulator/demodulator designed for use where the output voltage is a product of an input voltage (signal) and a switched function (carrier). The MC1596 will operate over the full military temperature range of -55 to +125°C. The MC1496 is intended for applications within the range of 0 to +70°C.

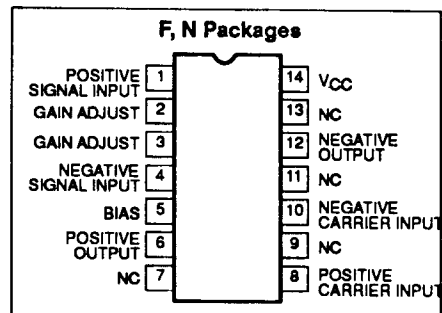
## FEATURES

- Excellent carrier suppression  
65dB typ @ 0.5MHz  
50dB typ @ 10MHz
- Adjustable gain and signal handling
- Balanced inputs and outputs
- High common-mode rejection—85dB typ

## APPLICATIONS

- Suppressed carrier and amplitude modulation
- Synchronous detection
- FM detection
- Phase detection
- Sampling
- Single sideband
- Frequency doubling

## PIN CONFIGURATION



## ORDERING INFORMATION

DESCRIPTION	TEMPERATURE RANGE	ORDER CODE	DWG #
14-Pin Ceramic Dual In-Line Package Cerdip)	0 to +70°C	MC1496F	0581B
14-Pin Plastic Dual In-Line Package (DIP)	0 to +70°C	MC1496N	0405B
14-Pin Ceramic Dual In-Line Package Cerdip)	-55 to +125°C	MC1596F	0581B
14-Pin Plastic Dual In-Line Package (DIP)	-55 to +125°C	MC1596N	0405B

## ABSOLUTE MAXIMUM RATINGS

SYMBOL	PARAMETER	RATING	UNIT
	Applied voltage	30	V
$V_8-V_{10}$	Differential input signal	$\pm 5.0$	V
$V_4-V_1$	Differential input signal	$(5 \pm I_5 R_8)$	V
$V_2-V_1$ , $V_3-V_4$	Input signal	5.0	V
$I_5$	Bias current	10	mA
$P_D$	Maximum power dissipation, $T_A=25^\circ\text{C}$ (still-air) <sup>1</sup>	F package 1190 N package 1420	mW mW
$T_A$	Operating temperature range	MC1496 0 to +70 MC1596 -55 to +125	°C °C
$T_{STG}$	Storage temperature range	-65 to +150	°C

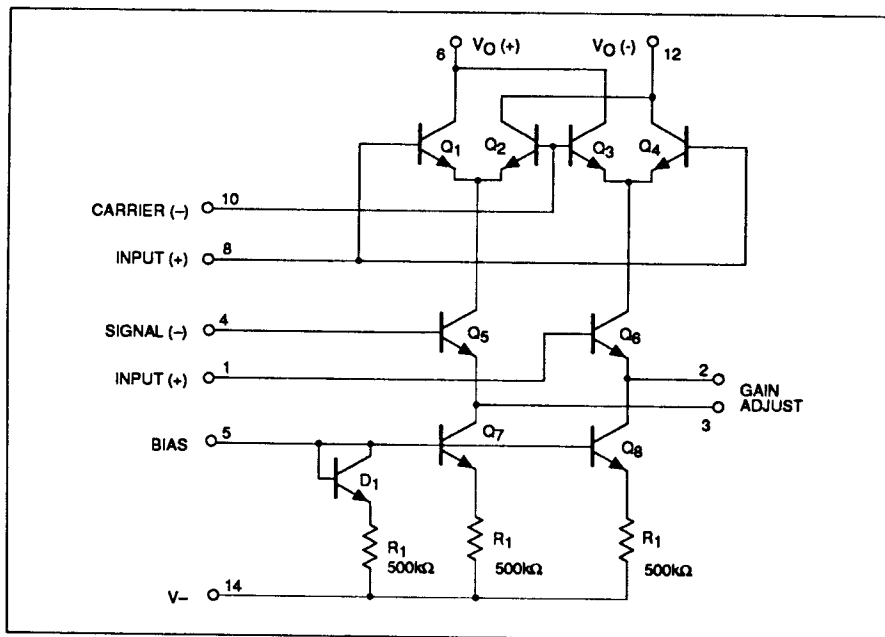
### NOTES:

- Derate above 25°C, at the following rates:  
F package at 9.5mW/°C  
N package at 11.4mW/°C

## Balanced modulator/demodulator

MC1496/MC1596

## EQUIVALENT SCHEMATIC



## DC ELECTRICAL CHARACTERISTICS

$V_{CC}=+12V_{DC}$ ;  $V_{CC}=-8.0V_{DC}$ ;  $I_S=1.0mA_{DC}$ ;  $R_L=3.9k\Omega$ ;  $R_E=1.0k\Omega$ ;  $T_A=25^\circ C$ , unless otherwise specified.

SYMBOL	PARAMETER	TEST CONDITIONS	MC1596			MC1496			UNIT
			Min	Typ	Max	Min	Typ	Max	
$R_{IP}$ $C_{IP}$	Single-ended input impedance Parallel input resistance Parallel input capacitance	Signal port, $f=5.0MHz$		200 2.0			200 2.0		$k\Omega$ pF
$R_{OP}$ $C_{OP}$	Single-ended output impedance Parallel output resistance Parallel output capacitance	$f=10MHz$		40 5.0			40 5.0		$k\Omega$ pF
$I_{BS}$ $I_{BC}$	Input bias current $I_{BS}=$ $I_{BC}=$			12 12	25 25		12 30	30 30	$\mu A$ $\mu A$
$I_{IOS}$ $I_{IOC}$	Input offset current $I_{IOS}=I_1-I_4$ $I_{IOC}=I_8-I_{10}$			0.7 0.7	5.0 5.0		0.7 0.7	7.0 7.0	$\mu A$ $\mu A$
$T_{CIO}$ $I_{OO}$	Average temperature coefficient of input offset current Output offset current $I_6-I_{12}$			2.0 14			2.0 15		$nA/^\circ C$ $\mu A$
$T_{CLOO}$ $V_O$	Average temperature coefficient of output offset current Common-mode quiescent output voltage (Pin 6 or Pin 12)			90 8.0			90 8.0		$nA/^\circ C$ $V_{DC}$
$I_{D+}$ $I_{D-}$	Power supply current $I_6+I_{12}$ $I_{14}$			2.0 3.0	3.0 4.0		2.0 3.0	4.0 5.0	$mA_{DC}$
$P_D$	DC power dissipation			33			33		mW

## Balanced modulator/demodulator

## MC1496/MC1596

## AC ELECTRICAL CHARACTERISTICS

$V_{CC}=+12V_{DC}$ ;  $V_{CC}=-9.0V_{DC}$ ;  $I_S=1.0mA_{DC}$ ;  $R_L=3.9k\Omega$ ;  $R_E=1.0k\Omega$ ;  $T_A=+25^\circ C$  unless otherwise specified.

SYMBOL	PARAMETER	TEST CONDITIONS	MC1596			MC1496			UNIT
			Min	Typ	Max	Min	Typ	Max	
$V_{CFT}$	Carrier feedthrough	$V_C=60mV_{RMS}$ sinewave and offset adjusted to zero		40			40		$\mu V_{RMS}$
		$f_C=1.0kHz$ $f_C=10MHz$ $V_C=300mV_{P-P}$ squarewave: Offset adjusted to zero $f_C=1.0kHz$ Offset not adjusted $f_C=1.0kHz$		140			140		$mV_{RMS}$
$V_{CS}$	Carrier suppressions	$f_S=10kHz$ , $300mV_{RMS}$ sinewave	50	65		40	65		dB
		$f_C=500kHz$ , $60mV_{RMS}$ sinewave $f_C=10MHz$ , $60mV_{RMS}$ sinewave		50			50		
$BW_{3dB}$	Transadmittance bandwidth (Magnitude) ( $R_L=50\Omega$ )	Carrier input port, $V_C=60mV_{RMS}$ sinewave $f_S=1.0kHz$ , $300mV_{RMS}$ sinewave		300			300		MHz
		Signal input port, $V_S=300mV_{RMS}$ sinewave $ V_C =0.5V_{DC}$		80			80		MHz
$A_{VS}$	Signal gain	$V_S=100mV_{RMS}$ ; $f=1.0kHz$ $ V_C =0.5V_{DC}$	2.5	3.5		2.5	3.5		V/V
$CMV$	Common-mode input swing	Signal port, $f_S=1.0kHz$		5.0			5.0		$V_{P-P}$
$A_{CM}$	Common-mode gain	Signal port, $f_S=1.0kHz$ $ V_C =0.5V_{DC}$		-85			-85		dB
$DV_{OUT}$	Differential output voltage swing capability			8.0			8.0		$V_{P-P}$

# Balanced modulator/demodulator

# MC1496/MC1596

## TEST CIRCUITS

