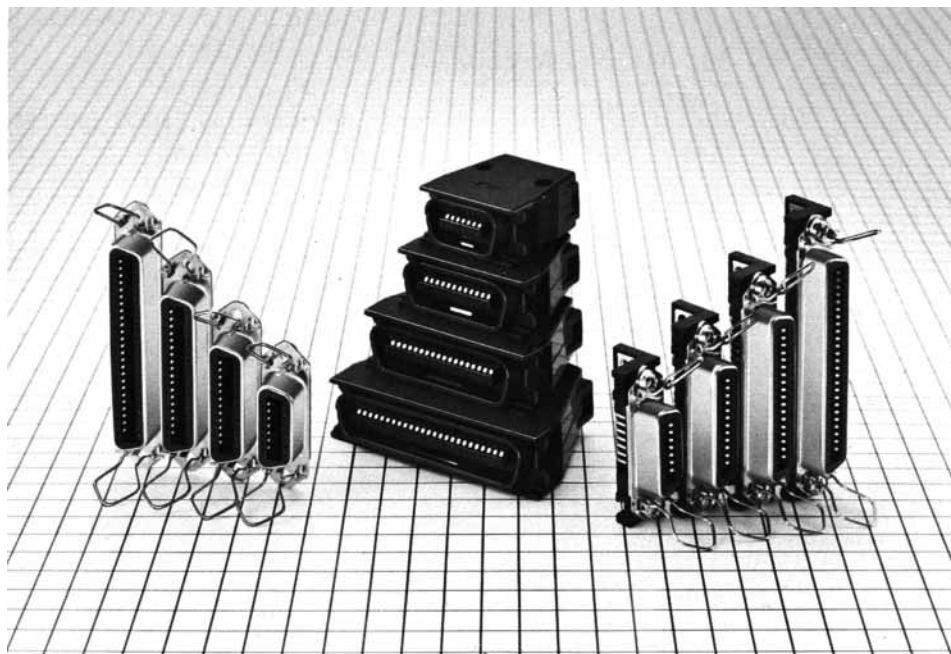


RC SERIES RIBBON CONNECTORS

General

The RC Series connectors are rectangular multicontact connectors provided with ribbon contacts and are designed to be mounted directly on PCBs. Suitable as

the interface for measuring instruments and printers. 14, 24, 36 and 50-contact models are available.



Features

1. Direct dip soldering on PCB enables convenient parallel (RC10 type) and vertical (RC20 type) connection with cable plug and use of mass termination technology from PCB to equipment panels.
2. IDC Plug in combination with hood with grounding insert meets FCC requirements. (RC30 type)
3. Ideally suited for printer interface (Conforms to CENTRONICS standard.) (RC30 type)
4. Can be easily connected to a standard ribbon cable, having a cable IDC pitch of 1.27mm. (standard) (RC30 type)
5. Easy to connect cables by following the same IDC termination procedure and connecting press as used for our other ribbon cable connectors. (RC30 type)
6. Authorized by UL

Application

Interfaces for computers, peripherals and terminals, communication equipment, and printers.

Ordering Informations

● P.C. Mount type

R C 10 — 36 R 3 — LW (50)
 (1) (2) (3) (4) (5) (6) (7)

- (1) Series name (RC: Ribbon Contact)
- (2) Type: 10 - Right Angle type
20 - Straight type
- (3) No. of pins: 14, 24, 36 and 50 way
- (4) Receptacle type
- (5) PCB Mounting Configuration: Blank: M3×0.5
- (6) 1: Snap-Lock PCB
grounding Insert
3: ϕ 3.2 (.126") Hole
LW: Bail Lock
- (7) Specification contents
(50) : Individual specification

● IDC type

R C 30 — 36 R — LW (50)
 (1) (2) (3) (4) (5) (6)

- (1) Series name (RC: Ribbon Contact)
- (2) Type: IDC
- (3) No. of pins: 14, 24, 36 and 50 way
- (4) P: Plug
R: Receptacle
- (5) CV: Hood
LW: Lock wire
- (6) Specification contents
(50) : Individual specification

Ordering Informations

P.C. Mount type

Electrical and Environmental Characteristics		
Current rating	3A	
Voltage rating	500V AC	
Insulation resistance	1000M Ω min. at 100mA DC	
Contact resistance	RC10	35m Ω max. at 100mA DC
	RC20	15m Ω max. at 100mA DC
Withstand voltage	1200V r.m.s AC for 2 minute	

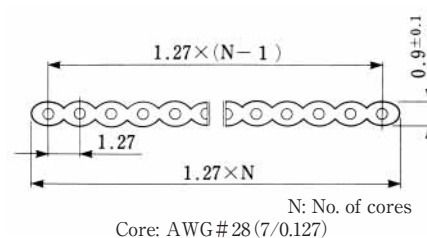
Material and Finish		
Shell	Copper Alloy	Nickel plating
Insulator	PBT (G.E.Valox)	Black (UL94V-0)
Contacts	Phospor bronze	Selective gold plating over nickel plating

IDC type

Electrical and Environmental Characteristics	
Current rating	1A
Voltage rating	200V AC
Insulation resistance	1000M Ω min. at 500V DC
Contact resistance	25m Ω max. at 100mA DC
Withstand voltage	650V r.m.s AC for 2 minute

Material and Finish			
Insulator	Phospor bronze		Selective gold plating over nickel plating
Plug case	ABS		Black
Food insert	Brass		Nickel plating
Shell	Copper Alloy		Nickel plating
Insulator	Plug	Polybutylene terephthalate	Black
	Receptacle	Polycarbonate	

Cable specifications



* (UL94V-0)

RC10 Type

Unit: mm

HRS No.	No. of Pin	Part No.	A	B	RoHS
CL215-0011-2-50	14	RC10-14R-LW (50)	43.99	35.99	YES
CL215-0005-0-50	24	RC10-24R-LW (50)	54.78	46.78	
CL215-0001-9-50	36	RC10-36R-LW (50)	67.74	59.74	
CL215-0012-5-50	50	RC10-50R-LW (50)	82.85	74.85	

RC10-36R-LW (50)

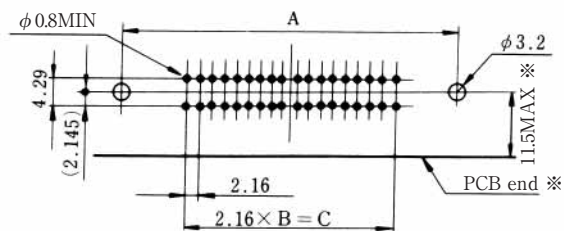
RC20 Type

Unit: mm

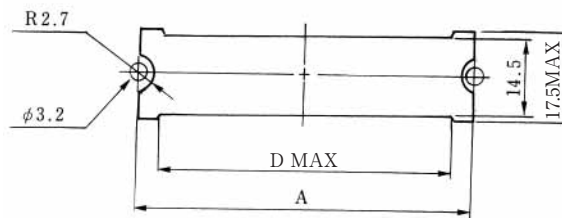
HRS No.	No. of Pin	Part No.	A	B	RoHS
CL215-0013-8-50	14	RC20-14R-LW (50)	43.99	35.99	YES
CL215-0006-2-50	24	RC20-24R-LW (50)	54.78	46.78	
CL215-0002-1-50	36	RC20-36R-LW (50)	67.74	59.74	
CL215-0014-0-50	50	RC20-50R-LW (50)	82.85	74.85	

RC20-36R-LW (50)

PCB Mounting Pattern (mm)



Panel Cutout (mm)



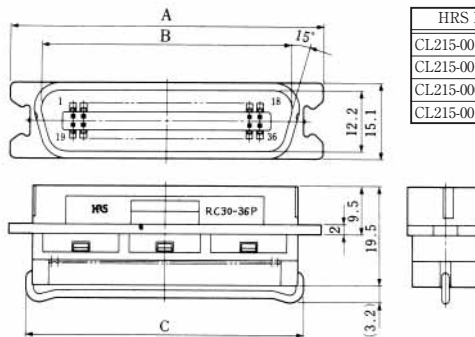
Unit: mm

No. of Pin	A	B	C	D
14	35.99	6	12.96	28.2
24	46.78	11	23.76	39
36	59.74	17	36.72	52
50	74.85	24	51.84	66.1

RC30 IDC Plug



RC30-36P (50)



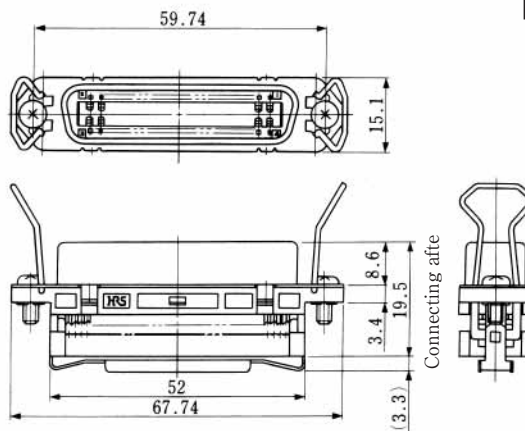
Unit: mm

HRS No.	No. of Pin	Part No.	A	B	C	RoHS
CL215-0015-3-50	14	RC30-14P (50)	37.74	28.36	29.1	YES
CL215-0016-6-50	24	RC30-24P (50)	48.54	36.24	40.1	
CL215-0007-5-50	36	RC30-36P (50)	61.5	49.2	54.5	
CL215-0017-9-50	50	RC30-50P (50)	76.62	64.31	70.5	

Hood



RC30-36R-LW (50)

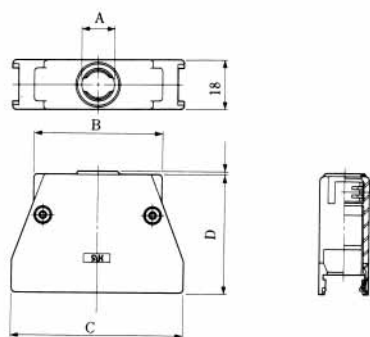


HRS No.	No. of Pin	Part No.	RoHS
CL215-0041-3-50	36	RC30-36R-LW (50)	YES

RC30 IDC Receptacle



RC30-36-CV (50)



Unit: mm

HRS No.	No. of Pin	Part No.	A	B	C	D	RoHS
CL215-0018-1-50	14	RC30-14R-CV (50)	9	32	37.74	38.3	YES
CL215-0019-4-50	24	RC30-24R-CV (50)	10	37	48.54	39.8	
CL215-0008-8-50	36	RC30-36R-CV (50)	12	47	61.5	42.8	
CL215-0020-3-50	50	RC30-50R-CV (50)	14	60	76.62	46.3	

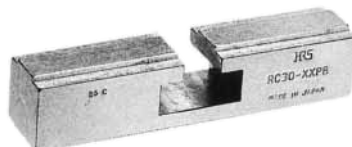
Tooling

HIF Connecting Press



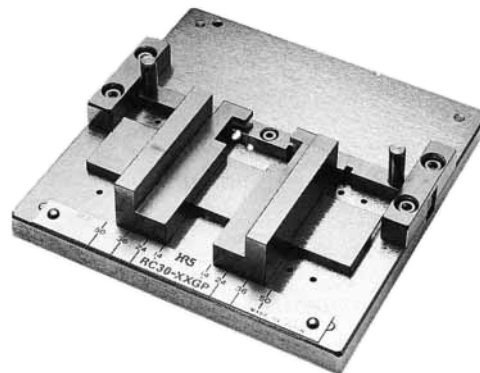
HRS No.	Part No.
550-0082-2	HIF Connecting Press

RC30-XXPB (Pressure Block)



HRS No.	Part No.
902-0033-6	RC30-XXPB

RC30-XXGP (Guide Plate)



HRS No.	Part No.
902-0034-9	RC30-XXGP

RC10(F) SERIES CONNECTORS WITH FERRITE ADDED

General

RC10(F) series connectors are an advanced design derived from conventional RC10 series, with a ferrite core added as protective means against EMI. These are available in 24, 36 and 50 positions.



Features

1. The added ferrite effectively attenuates conduction noise.
2. Mounting dimensions and the applicable size of circuit boards are identical to those for RC10 series connectors.
3. Offers the best matching for printer interfacing (conforms to Centronics specifications).

Application

Peripheral and terminal equipment, communications equipment, printer interfacing, data handling equipment, etc.

Material and Finish

Electrical Characteristics	
Current capacity	3A
Rated voltage	100V AC
Insulation resistance	1M Ω min. at 500V DC
Contact resistance	35m Ω max. at 100mA DC
Withstand voltage	500Vrms AC for 1 minute

item	Material	Finish
Shell	Brass	Nickel plating
Insulator	PRT※	Black
Contacts	Copper Alloy	Selective gold plating over nickel

※ (UL94V-0)

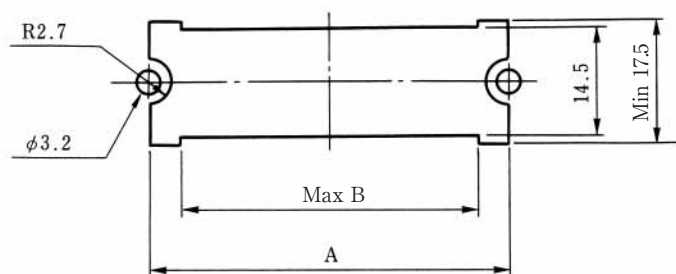
Ordering Informations

RC 10 (F) — 36 R 1 — LW (50)
 (1) (2) (3) (4) (5) (6) (7) (8)

- (1) Series name
RC: ribbon contact
- (2) Serial name
10: Right Angle Type
- (3) (F): Ferrite added
- (4) No. of Pins: 24, 36 and 50 way
- (5) Terminal opening
R: Receptacle type
- (6) PCB Mounting configuration
Blank: M3 \times 0.5
1: Snap-Look PCB Grounding Inlet
3: ϕ 3.2 (.126") Hole
- (7) LW: Bail Lock
LNA: Screw Lock
- (8) Specification contents
(50) : Individual specifications

Panel Cutout

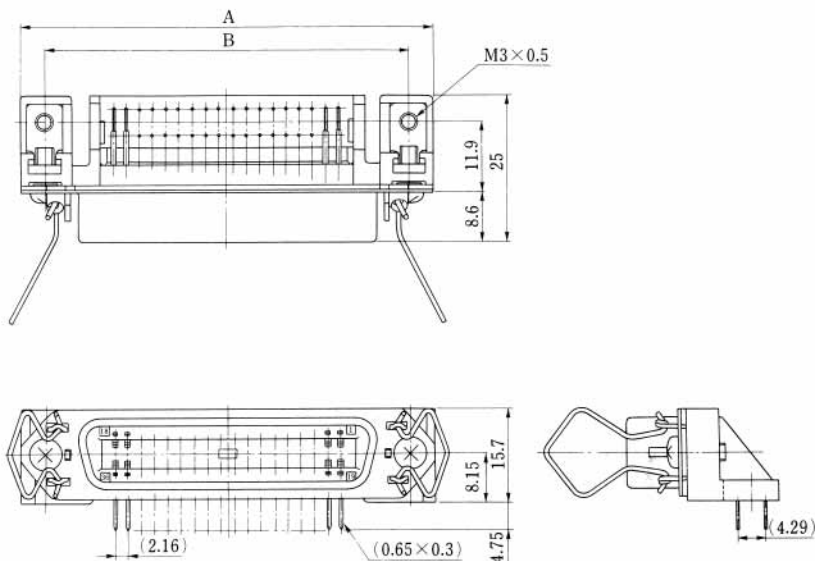
● For LW type



Unit: mm

No. of Pin	A	B
24	46.78	39
36	59.74	52
50	74.85	66.1

RC10(F) Type



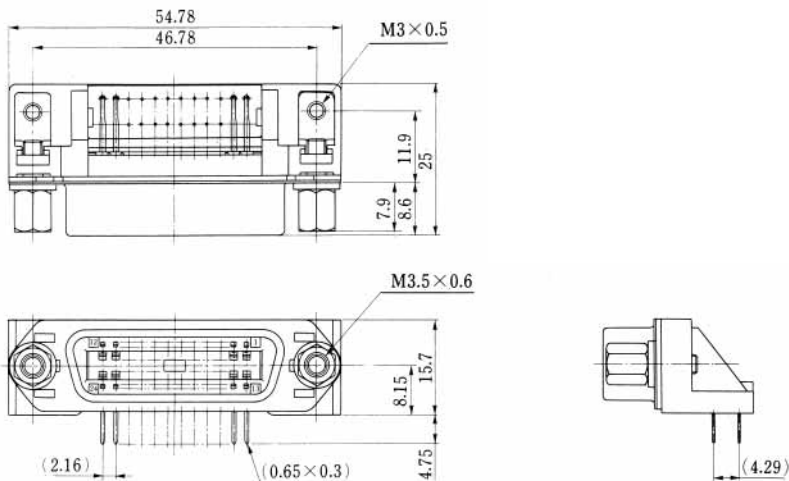
Unit: mm

HRS No.	No. of Pin	Part No.	A	B	RoHS
CL215-0089-0-50	24	RC10 (F) -24R-LW (50)	54.78	46.78	
CL215-0171-9-50	36	RC10 (F) -36R-LW (50)	67.74	59.74	YES
CL215-0084-6-50	50	RC10 (F) -50R-LW (50)	82.85	74.85	

Note: The figure shows a typical example of a 36-contact connector.
 The shape varies somewhat depending on the number of contacts.

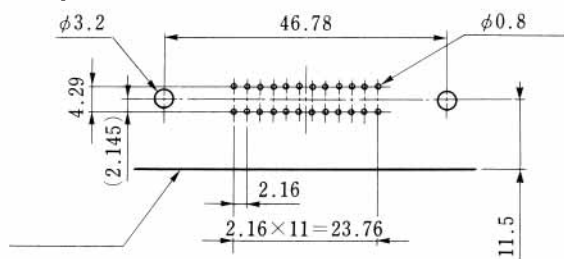
RC10 (F) -36R-LW (50)

HRS No.	No. of Pin	Part No.	RoHS
CL215-0088-7-50	24	RC10 (F) -24R-LNA (50)	YES

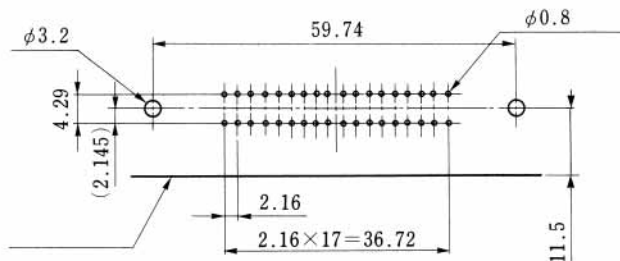


RC10 (F) -24R-LNA (50)

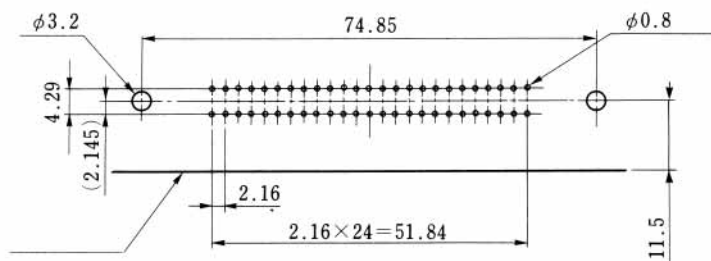
PCB Mounting Pattern (mm)



RC10(F)-24R

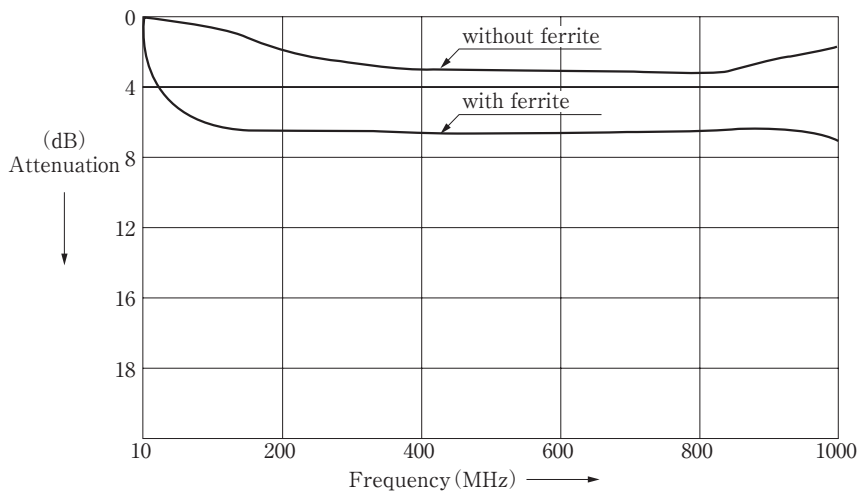


RC10(F)-36R



RC10(F)-50R

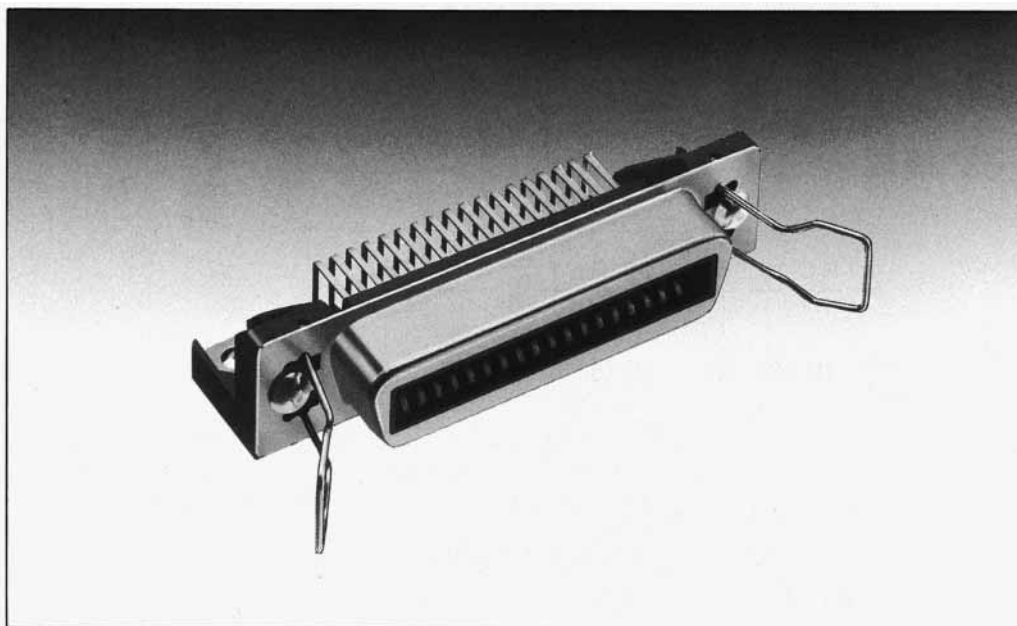
Characteristics of Attenuation



RC10H TYPE ESD PREVENTION RIBBON CONNECTOR RIGHT ANGLE DIP VERSION

General

The RC10H connectors have been developed to provide resistance to ESD (electrostatic discharge), and are available with 36 contacts.



Features

1. Standard parallel interface mating. (Centronics type)
2. One piece molded insulator.
3. UL PBT resins in insulator offer excellent resistance to heat and chemicals.
4. Prevents malfunctions of electronic equipment and damage to elements, ICs, and LSIs from electric discharge by providing measures against ESD in addition to the conventional measures against EMI by a shielding case.

Application

Interfaces for computers, peripherals and terminals, communications equipment, and printers.

Specifications

Item	Specification
Current capacity	3A
Rated voltage	500V AC
Insulation resistance	1000M Ω min. at 500V DC
Contact resistance	35m Ω max. at 100mA DC
Withstanding voltage	1200Vr.m.s. AC for 1 minute

Material & Finish

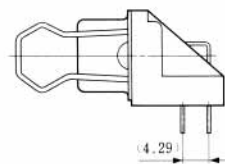
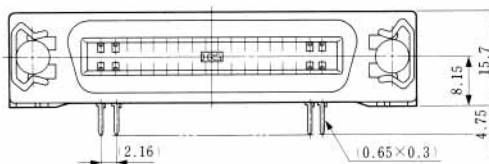
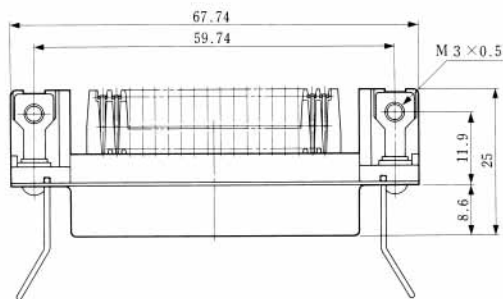
item	Material	Finish
Shell	Steel	Nickel plating
Insulator	PBT	Black (UL94V-0)
Contacts	Copper alloy	Selective gold plating over nickel

Ordering Information

RC 10 H — 36 R 1 — LW (50)
 (1) (2) (3) (4) (5) (6) (7) (8)

- (1) Series name
RC: Ribbon contact series
- (2) Type
10: Right angle type
- (3) H: One piece mold type
- (4) No. of pins: 36 position
- (5) R: Receptacle type
- (6) PCB mounting configuration
Blank: M3×0.5
1: Snap-lock PCB
3: 3.2 (.126") Hole
- (7) LW: Bail lock
- (8) Specification contents
(50) : Individual specifications

RC10H Type



RC10H-36R-LW (50)

HRS No.	No. of Pin	Part No.	RoHS
CL215-0069-2-50	36	RC10H-36R-LW (50)	YES

PCB Mounting Pattern (mm)

