

MC14501UB

Triple Gate
Dual 4-Input "NAND" Gate
2-Input "NOR/OR" Gate
8-Input "AND/NAND" Gate

The MC14501UB is constructed with MOS P-channel and N-channel enhancement mode devices in a single monolithic structure. These complementary MOS logic gates find primary use where low power dissipation and/or high noise immunity is desired. Additional characteristics can be found on the Family Data Sheet.

- Diode Protection on All Inputs
- Supply Voltage Range = 3.0 Vdc to 18 Vdc
- Logic Swing Independent of Fanout
- Capable of Driving Two Low-Power TTL Loads or One Low-Power Schottky TTL Load Over the Rated Temperature Range

MAXIMUM RATINGS* (Voltages Referenced to V_{SS})

Symbol	Parameter	Value	Unit
V _{DD}	DC Supply Voltage	- 0.5 to + 18.0	V
V _{in} , V _{out}	Input or Output Voltage (DC or Transient)	- 0.5 to V _{DD} + 0.5	V
I _{in} , I _{out}	Input or Output Current (DC or Transient), per Pin	± 10	mA
P _D	Power Dissipation, per Package†	500	mW
T _{stg}	Storage Temperature	- 65 to + 150	°C
T _L	Lead Temperature (8-Second Soldering)	260	°C

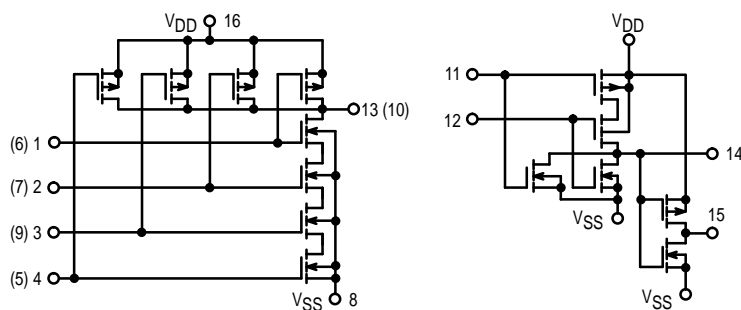
* Maximum Ratings are those values beyond which damage to the device may occur.

† Temperature Derating:

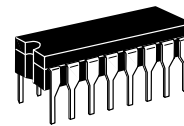
Plastic "P and D/DW" Packages: - 7.0 mW/°C From 65°C To 125°C

Ceramic "L" Packages: - 12 mW/°C From 100°C To 125°C

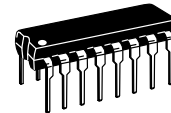
CIRCUIT SCHEMATIC



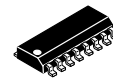
Numbers in parenthesis are for second 4-input gate.



L SUFFIX
CERAMIC
CASE 620



P SUFFIX
PLASTIC
CASE 648



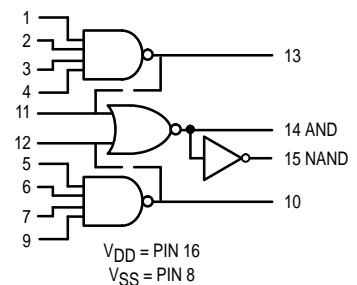
D SUFFIX
SOIC
CASE 751B

ORDERING INFORMATION

MC14XXXBCP Plastic
MC14XXXBCL Ceramic
MC14XXXBD SOIC

T_A = - 55° to 125°C for all packages.

LOGIC DIAGRAM
(POSITIVE LOGIC)



Use Dotted Connection Externally to Obtain 8-Input AND/NAND

NOTE: Pin 14 must not be used as an input to the inverter.

ELECTRICAL CHARACTERISTICS (Voltages Referenced to V_{SS})

Characteristic	Symbol	V _{DD} Vdc	- 55°C		25°C			125°C		Unit			
			Min	Max	Min	Typ #	Max	Min	Max				
Output Voltage V _{in} = V _{DD} or 0 V _{in} = 0 or V _{DD}	“0” Level V _{OL}	5.0	—	0.05	—	0	0.05	—	0.05	Vdc			
		10	—	0.05	—	0	0.05	—	0.05				
		15	—	0.05	—	0	0.05	—	0.05				
	“1” Level V _{OH}	5.0	4.95	—	4.95	5.0	—	4.95	—	Vdc			
		10	9.95	—	9.95	10	—	9.95	—				
		15	14.95	—	14.95	15	—	14.95	—				
Input Voltage “0” Level (V _O = 3.6 or 1.4 Vdc) (V _O = 7.2 or 2.8 Vdc) (V _O = 11.5 or 3.5 Vdc) “1” Level (V _O = 1.4 or 3.6 Vdc) (V _O = 2.8 or 7.2 Vdc) (V _O = 3.5 or 11.5 Vdc)	V _{IL}	5.0	—	1.5	—	2.25	1.5	—	1.4	Vdc			
		10	—	3.0	—	4.50	3.0	—	2.9				
		15	—	3.75	—	6.75	3.75	—	3.6				
	V _{IH}	5.0	3.6	—	3.5	2.75	—	3.5	—	Vdc			
		10	7.1	—	7.0	5.50	—	7.0	—				
		15	11.4	—	11.25	8.25	—	11	—				
Output Drive Current (V _{OH} = 2.5 Vdc) Source (V _{OH} = 4.6 Vdc) (V _{OH} = 9.5 Vdc) NAND* (V _{OH} = 13.5 Vdc) (V _{OH} = 2.5 Vdc) NOR (V _{OH} = 4.6 Vdc) (V _{OH} = 9.5 Vdc) (V _{OH} = 13.5 Vdc) (V _{OH} = 2.5 Vdc) NOR– (V _{OH} = 4.6 Vdc) (V _{OH} = 9.5 Vdc) Inverter (V _{OH} = 13.5 Vdc) (V _{OL} = 0.4 Vdc) Sink (V _{OL} = 0.5 Vdc) NAND* (V _{OL} = 1.5 Vdc) (V _{OL} = 0.4 Vdc) NOR (V _{OL} = 0.5 Vdc) (V _{OL} = 1.5 Vdc) (V _{OL} = 0.4 Vdc) NOR– (V _{OL} = 0.5 Vdc) Inverter (V _{OL} = 1.5 Vdc)	I _{OH}	5.0	- 1.2	—	- 1.0	- 1.7	—	- 0.7	—	mAdc			
		5.0	- 0.25	—	- 0.2	- 0.36	—	- 0.14	—				
		10	- 0.62	—	- 0.5	- 0.9	—	- 0.35	—				
		15	- 1.8	—	- 1.5	- 3.5	—	- 1.1	—				
		5.0	- 2.1	—	- 1.75	- 3.0	—	- 1.22	—		mAdc		
		5.0	- 0.42	—	- 0.35	- 0.63	—	- 0.24	—				
		10	- 1.06	—	- 0.88	- 1.58	—	- 0.62	—				
		15	- 3.1	—	- 2.63	- 6.12	—	- 1.84	—				
		5.0	- 3.6	—	- 3.0	- 5.1	—	- 2.1	—		mAdc		
		5.0	- 0.72	—	- 0.6	- 1.08	—	- 0.42	—				
		10	- 1.8	—	- 1.5	- 2.7	—	- 1.05	—				
		15	- 5.4	—	- 4.5	- 10.5	—	- 3.15	—				
	I _{OL}	5.0	0.64	—	0.51	0.88	—	0.36	—	mAdc			
		10	1.6	—	1.3	2.25	—	0.9	—				
		15	4.2	—	3.4	8.8	—	2.4	—				
		5.0	0.92	—	0.77	1.32	—	0.54	—		mAdc		
		10	2.34	—	1.95	3.37	—	1.36	—				
		15	6.12	—	5.1	13.2	—	3.57	—				
		5.0	1.54	—	1.28	2.2	—	0.90	—		mAdc		
		10	3.90	—	3.25	5.63	—	2.27	—				
		15	10.2	—	8.5	22	—	5.95	—				
		Input Current	I _{in}	15	—	± 0.1	—	± 0.00001	± 0.1		—	± 1.0	μAdc
		Input Capacitance (V _{in} = 0)	C _{in}	—	—	—	—	5.0	7.5		—	—	pF
		Quiescent Current (Per Package)	I _{DD}	5.0	—	0.25	—	0.0005	0.25		—	7.5	μAdc
10	—			0.5	—	0.0010	0.5	—	15				
15	—			1.0	—	0.0015	1.0	—	30				
Total Supply Current**† (Dynamic plus Quiescent, Per Package) (C _L = 50 pF on all outputs, all buffers switching)	I _T	5.0	I _T = (1.2 μA/kHz) f + I _{DD} I _T = (2.4 μA/kHz) f + I _{DD} I _T = (3.6 μA/kHz) f + I _{DD}							μAdc			
		10											
		15											

#Data labelled “Typ” is not to be used for design purposes but is intended as an indication of the IC’s potential performance.

**The formulas given are for the typical characteristics only at 25°C.

†To calculate total supply current at loads other than 50 pF:

$$I_T(C_L) = I_T(50 \text{ pF}) + (C_L - 50) V f k$$

where: I_T is in μA (per package), C_L in pF, V = (V_{DD} - V_{SS}) in volts, f in kHz is input frequency, and k = 0.004.

SWITCHING CHARACTERISTICS** ($C_L = 50 \text{ pF}$, $T_A = 25^\circ\text{C}$)

Characteristic		Figure	Symbol	V _{DD}	Typ #	Max	Unit
Output Rise Time $t_{TLH} = (3.0 \text{ ns/pF}) C_L + 30 \text{ ns}$ $t_{TLH} = (1.5 \text{ ns/pF}) C_L + 15 \text{ ns}$ $t_{TLH} = (1.1 \text{ ns/pF}) C_L + 10 \text{ ns}$	NAND, NOR	2, 3	t_{TLH}	5.0 10 15	180 90 65	360 180 130	ns
Output Fall Time $t_{THL} = (1.5 \text{ ns/pF}) C_L + 25 \text{ ns}$ $t_{THL} = (0.75 \text{ ns/pF}) C_L + 12.5 \text{ ns}$ $t_{THL} = (0.55 \text{ ns/pF}) C_L + 9.5 \text{ ns}$	NAND, NOR	2, 3	t_{THL}	5.0 10 15	100 50 40	200 100 80	ns
Output Rise Time $t_{TLH} = (1.35 \text{ ns/pF}) C_L + 32.5 \text{ ns}$ $t_{TLH} = (0.60 \text{ ns/pF}) C_L + 20 \text{ ns}$ $t_{TLH} = (0.40 \text{ ns/pF}) C_L + 17 \text{ ns}$	NOR–Inverter	3	t_{TLH}	5.0 10 15	100 50 40	200 100 80	ns
Output Fall Time $t_{THL} = (0.67 \text{ ns/pF}) C_L + 26.5 \text{ ns}$ $t_{THL} = (0.45 \text{ ns/pF}) C_L + 17.5 \text{ ns}$ $t_{THL} = (0.37 \text{ ns/pF}) C_L + 11.5 \text{ ns}$	NOR–Inverter	3	t_{THL}	5.0 10 15	60 40 30	120 80 60	ns
Propagation Delay Time $t_{PLH}, t_{PHL} = (1.7 \text{ ns/pF}) C_L + 45 \text{ ns}$ $t_{PLH}, t_{PHL} = (0.66 \text{ ns/pF}) C_L + 37 \text{ ns}$ $t_{PLH}, t_{PHL} = (0.5 \text{ ns/pF}) C_L + 25 \text{ ns}$	NAND	2	$t_{PLH},$ t_{PHL}	50 10 15	130 70 50	260 140 100	ns
$t_{PLH}, t_{PHL} = (1.7 \text{ ns/pF}) C_L + 30 \text{ ns}$ $t_{PLH}, t_{PHL} = (0.66 \text{ ns/pF}) C_L + 32 \text{ ns}$ $t_{PLH}, t_{PHL} = (0.5 \text{ ns/pF}) C_L + 20 \text{ ns}$	NOR	3	t_{PLH} t_{PHL}	5.0 10 15	115 65 45	230 130 90	ns
$t_{PLH}, t_{PHL} = (1.7 \text{ ns/pF}) C_L + 45 \text{ ns}$ $t_{PLH}, t_{PHL} = (0.66 \text{ ns/pF}) C_L + 37 \text{ ns}$ $t_{PLH}, t_{PHL} = (0.5 \text{ ns/pF}) C_L + 25 \text{ ns}$	NOR–Inverter	3	$t_{PLH},$ t_{PHL}	5.0 10 15	130 70 50	260 140 100	ns

* The formulas given are for the typical characteristics only at 25°C.

#Data labelled "Typ" is not to be used for design purposes but is intended as an indication of the IC's potential performance.

This device contains protection circuitry to guard against damage due to high static voltages or electric fields. However, precautions must be taken to avoid applications of any voltage higher than maximum rated voltages to this high-impedance circuit. For proper operation, V_{in} and V_{out} should be constrained to the range $V_{SS} \leq (V_{in} \text{ or } V_{out}) \leq V_{DD}$. Unused inputs must always be tied to an appropriate logic voltage level (e.g., either V_{SS} or V_{DD}). Unused outputs must be left open.

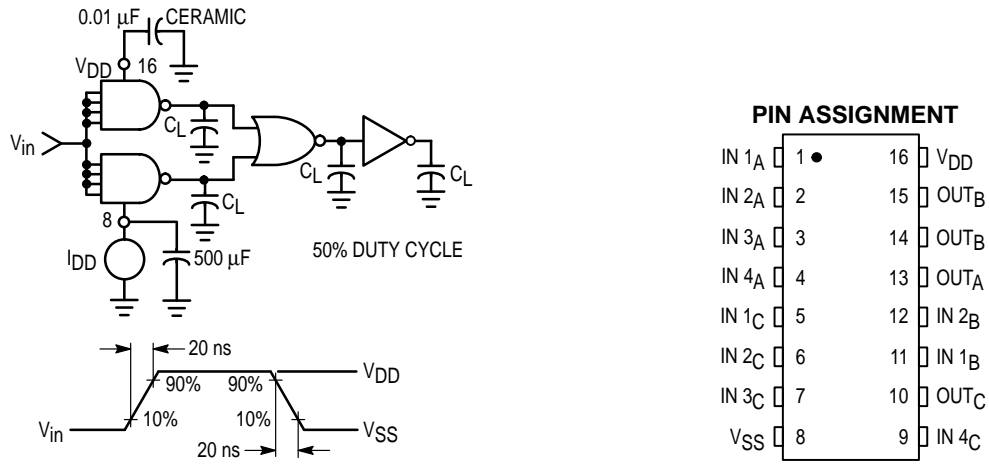


Figure 1. Power Dissipation Test Circuit and Waveform

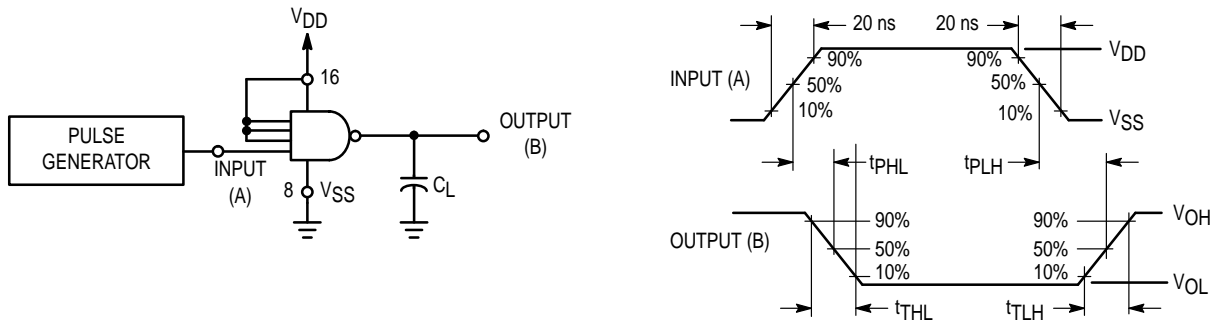


Figure 2. Input "NAND" Gate Switching Time Test Circuit and Waveforms

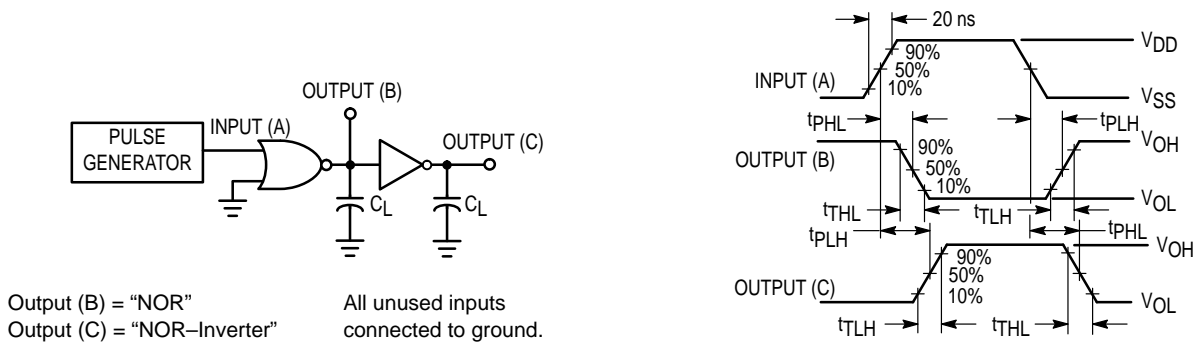
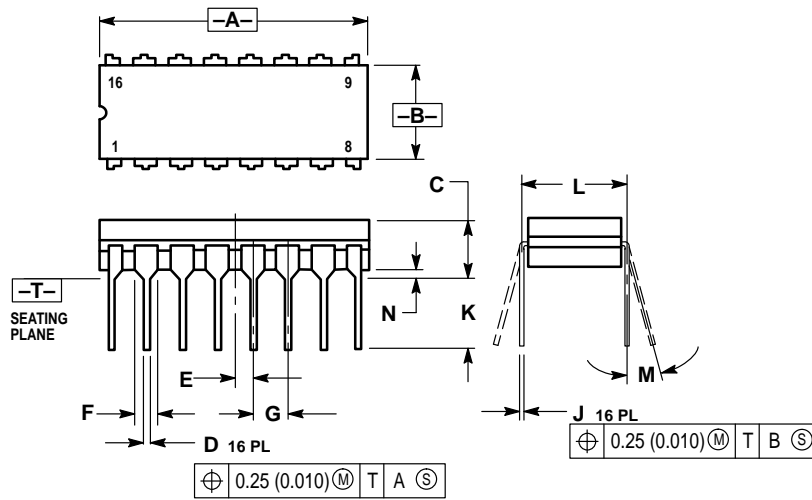


Figure 3. "NOR" Gate and "NOR-Inverter" Switching Time Test Circuit and Waveforms

OUTLINE DIMENSIONS

L SUFFIX CERAMIC DIP PACKAGE CASE 620-10 ISSUE V

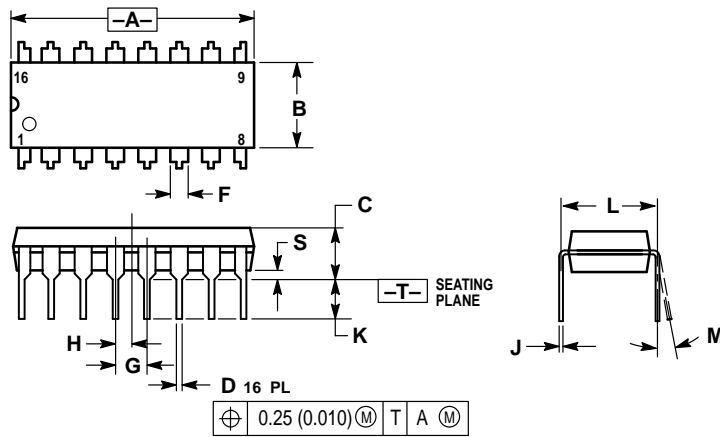


NOTES:

1. DIMENSIONING AND TOLERANCING PER ANSI Y14.5M, 1982.
2. CONTROLLING DIMENSION: INCH.
3. DIMENSION L TO CENTER OF LEAD WHEN FORMED PARALLEL.
4. DIMENSION F MAY NARROW TO 0.76 (0.030) WHERE THE LEAD ENTERS THE CERAMIC BODY.

DIM	INCHES		MILLIMETERS	
	MIN	MAX	MIN	MAX
A	0.750	0.785	19.05	19.93
B	0.240	0.295	6.10	7.49
C	—	0.200	—	5.08
D	0.015	0.020	0.39	0.50
E	0.050 BSC		1.27 BSC	
F	0.055	0.065	1.40	1.65
G	0.100 BSC		2.54 BSC	
H	0.008	0.015	0.21	0.38
K	0.125	0.170	3.18	4.31
L	0.300 BSC		7.62 BSC	
M	0°	15°	0°	15°
N	0.020	0.040	0.51	1.01

P SUFFIX PLASTIC DIP PACKAGE CASE 648-08 ISSUE R



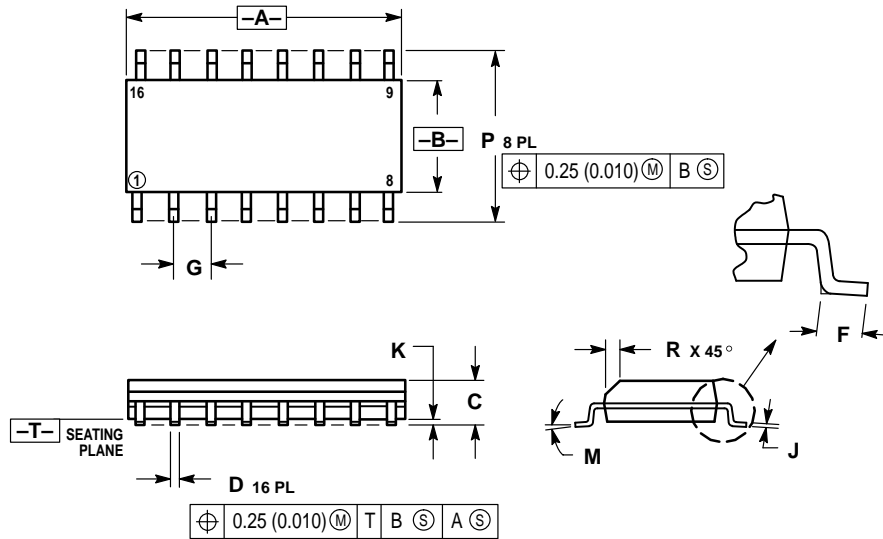
NOTES:

1. DIMENSIONING AND TOLERANCING PER ANSI Y14.5M, 1982.
2. CONTROLLING DIMENSION: INCH.
3. DIMENSION L TO CENTER OF LEADS WHEN FORMED PARALLEL.
4. DIMENSION B DOES NOT INCLUDE MOLD FLASH.
5. ROUNDED CORNERS OPTIONAL.

DIM	INCHES		MILLIMETERS	
	MIN	MAX	MIN	MAX
A	0.740	0.770	18.80	19.55
B	0.250	0.270	6.35	6.85
C	0.145	0.175	3.69	4.44
D	0.015	0.021	0.39	0.53
F	0.040	0.70	1.02	1.77
G	0.100 BSC		2.54 BSC	
H	0.050 BSC		1.27 BSC	
J	0.008	0.015	0.21	0.38
K	0.110	0.130	2.80	3.30
L	0.295	0.305	7.50	7.74
M	0°	10°	0°	10°
S	0.020	0.040	0.51	1.01

OUTLINE DIMENSIONS

D SUFFIX PLASTIC SOIC PACKAGE CASE 751B-05 ISSUE J



NOTES:

1. DIMENSIONING AND TOLERANCING PER ANSI Y14.5M, 1982.
2. CONTROLLING DIMENSION: MILLIMETER.
3. DIMENSIONS A AND B DO NOT INCLUDE MOLD PROTRUSION.
4. MAXIMUM MOLD PROTRUSION 0.15 (0.006) PER SIDE.
5. DIMENSION D DOES NOT INCLUDE DAMBAR PROTRUSION. ALLOWABLE DAMBAR PROTRUSION SHALL BE 0.127 (0.005) TOTAL IN EXCESS OF THE D DIMENSION AT MAXIMUM MATERIAL CONDITION.

DIM	MILLIMETERS		INCHES	
	MIN	MAX	MIN	MAX
A	9.80	10.00	0.386	0.393
B	3.80	4.00	0.150	0.157
C	1.35	1.75	0.054	0.068
D	0.35	0.49	0.014	0.019
F	0.40	1.25	0.016	0.049
G	1.27 BSC		0.050 BSC	
J	0.19	0.25	0.008	0.009
K	0.10	0.25	0.004	0.009
M	0°	7°	0°	7°
P	5.80	6.20	0.229	0.244
R	0.25	0.50	0.010	0.019

Motorola reserves the right to make changes without further notice to any products herein. Motorola makes no warranty, representation or guarantee regarding the suitability of its products for any particular purpose, nor does Motorola assume any liability arising out of the application or use of any product or circuit, and specifically disclaims any and all liability, including without limitation consequential or incidental damages. "Typical" parameters which may be provided in Motorola data sheets and/or specifications can and do vary in different applications and actual performance may vary over time. All operating parameters, including "Typicals" must be validated for each customer application by customer's technical experts. Motorola does not convey any license under its patent rights nor the rights of others. Motorola products are not designed, intended, or authorized for use as components in systems intended for surgical implant into the body, or other applications intended to support or sustain life, or for any other application in which the failure of the Motorola product could create a situation where personal injury or death may occur. Should Buyer purchase or use Motorola products for any such unintended or unauthorized application, Buyer shall indemnify and hold Motorola and its officers, employees, subsidiaries, affiliates, and distributors harmless against all claims, costs, damages, and expenses, and reasonable attorney fees arising out of, directly or indirectly, any claim of personal injury or death associated with such unintended or unauthorized use, even if such claim alleges that Motorola was negligent regarding the design or manufacture of the part. Motorola and are registered trademarks of Motorola, Inc. Motorola, Inc. is an Equal Opportunity/Affirmative Action Employer.

How to reach us:

USA/EUROPE/Locations Not Listed: Motorola Literature Distribution;
P.O. Box 20912; Phoenix, Arizona 85036. 1-800-441-2447 or 602-303-5454

JAPAN: Nippon Motorola Ltd.; Tatsumi-SPD-JLDC, 6F Seibu-Butsuryu-Center,
3-14-2 Tatsumi Koto-Ku, Tokyo 135, Japan. 03-81-3521-8315

MFAX: RMFAX0@email.sps.mot.com - TOUCHTONE 602-244-6609
INTERNET: http://Design-NET.com

ASIA/PACIFIC: Motorola Semiconductors H.K. Ltd.; 8B Tai Ping Industrial Park,
51 Ting Kok Road, Tai Po, N.T., Hong Kong. 852-26629298



MC14501UB/D

