

Silicon NPN Power Transistors

2SC867

DESCRIPTION

- With TO-66 package
- High collector-base breakdown voltage
:V_{CBO}=400V(min)

APPLICATIONS

- For high voltage and switching applications

PINNING(see Fig.2)

PIN	DESCRIPTION
1	Base
2	Emitter
3	Collector

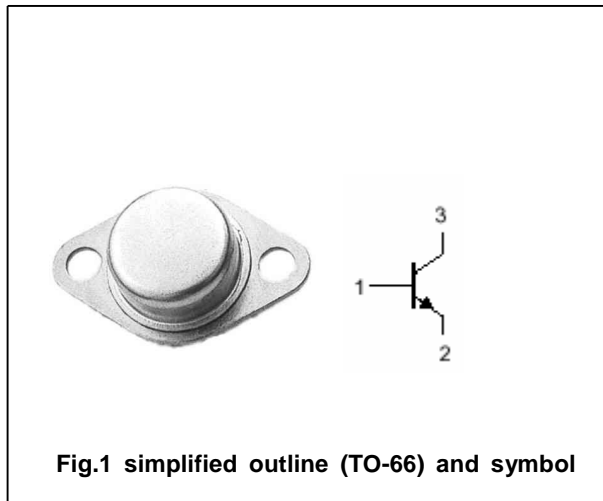


Fig.1 simplified outline (TO-66) and symbol

Absolute maximum ratings(Ta=?)

SYMBOL	PARAMETER	CONDITIONS	VALUE	UNIT
V _{CBO}	Collector-base voltage	Open emitter	400	V
V _{CEO}	Collector-emitter voltage	Open base	150	V
V _{EBO}	Emitter-base voltage	Open collector	5	V
I _C	Collector current		1	A
I _{CM}	Collector current-peak		2	A
P _D	Total power dissipation	T _C =25?	23	W
T _j	Junction temperature		150	?
T _{stg}	Storage temperature		-55~150	?

Silicon NPN Power Transistors

2SC867

CHARACTERISTICS

T_j=25? unless otherwise specified

SYMBOL	PARAMETER	CONDITIONS	MIN	TYP.	MAX	UNIT
V _{(BR)CEO}	Collector-emitter breakdown voltage	I _C =30mA; I _B =0	150			V
V _{(BR)EBO}	Emitter-base breakdown voltage	I _E =1mA; I _C =0	5			V
V _{CEsat}	Collector-emitter saturation voltage	I _C =1A; I _B =0.2 A			1.0	V
V _{BEsat}	Base-emitter saturation voltage	I _C =1A; I _B =0.2 A			1.5	V
I _{CBO}	Collector cut-off current	V _{CB} =400V; I _E =0			100	μA
I _{EBO}	Emitter cut-off current	V _{EB} =5V; I _C =0			100	μA
h _{FE}	DC current gain	I _C =0.1A ; V _{CE} =3V	50			
f _T	Transition frequency	I _C =0.2A ; V _{CE} =10V		8		MHz

PACKAGE OUTLINE

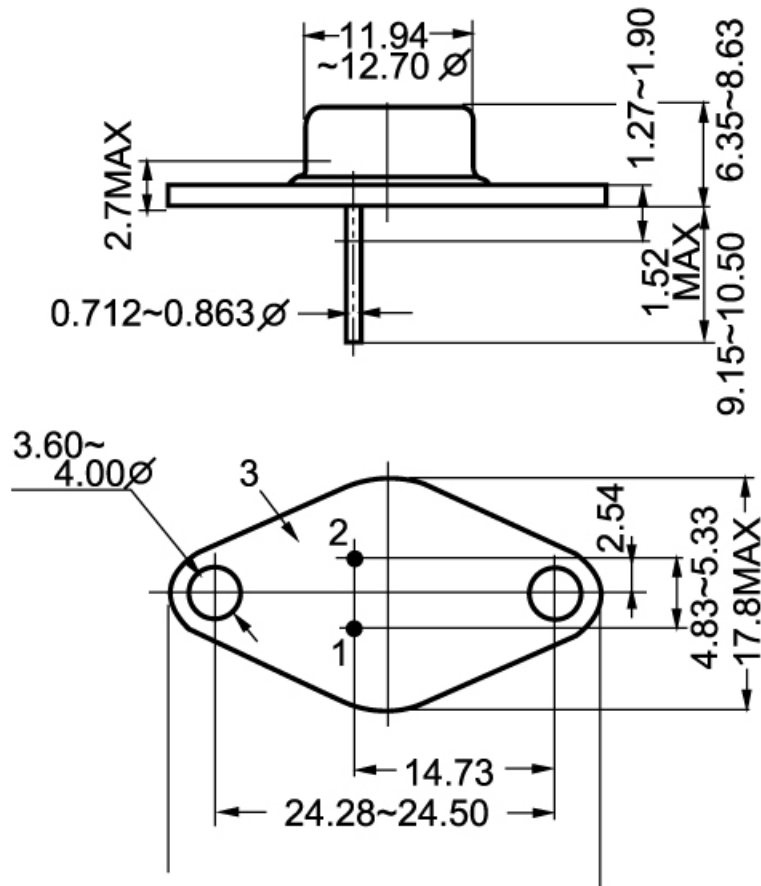


Fig.2 outline dimensions