

Silicon NPN Power Transistors

2SC4878

DESCRIPTION

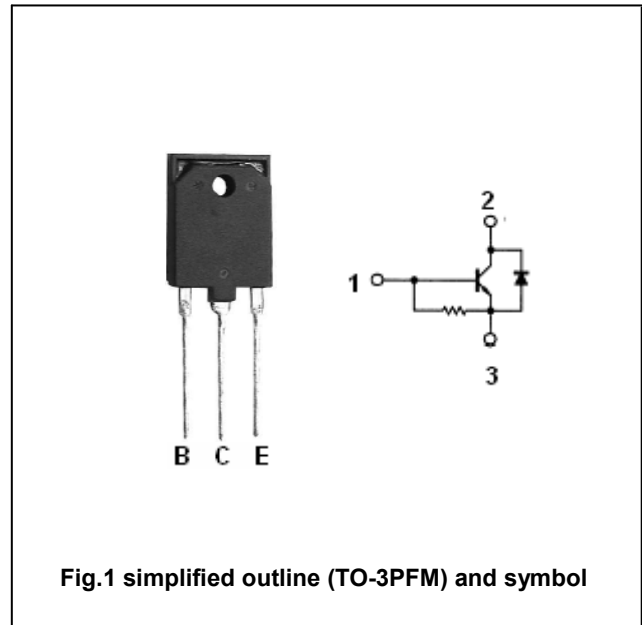
- With TO-3PFM package
- High breakdown voltage
- High speed switching
- Built-in damper diode

APPLICATIONS

- Color TV horizontal deflection output
- Color display horizontal deflection output

PINNING

PIN	DESCRIPTION
1	Base
2	Collector
3	Emitter

Absolute maximum ratings($T_a = \square$)

SYMBOL	PARAMETER	CONDITIONS	VALUE	UNIT
V_{CBO}	Collector-base voltage	Open emitter	1500	V
V_{CEO}	Collector-emitter voltage	Open base	800	V
V_{EBO}	Emitter-base voltage	Open collector	5	V
I_C	Collector current		10	A
P_C	Collector power dissipation	$T_C = 25 \square$	50	W
T_j	Junction temperature		150	\square
T_{stg}	Storage temperature		-55~150	\square

Silicon NPN Power Transistors

2SC4878

CHARACTERISTICS

T_j=25°C unless otherwise specified

SYMBOL	PARAMETER	CONDITIONS	MIN	TYP.	MAX	UNIT
V _{CEO(SUS)}	Collector-emitter sustaining voltage	I _C =0.1A ; I _B =0	800			V
V _{CE(sat)}	Collector-emitter saturation voltage	I _C =8A ; I _B =1.6A			5.0	V
V _{BE(sat)}	Base-emitter saturation voltage	I _C =8A ; I _B =1.6A			1.5	V
I _{CBO}	Collector cut-off current	V _{CB} =800V; I _E =0			10	μA
I _{EBO}	Emitter cut-off current	V _{EB} =5V; I _C =0	50		250	mA
h _{FE-1}	DC current gain	I _C =1A ; V _{CE} =5V	8			
h _{FE-2}	DC current gain	I _C =8A ; V _{CE} =5V	5			

Silicon NPN Power Transistors

2SC4878

PACKAGE OUTLINE

