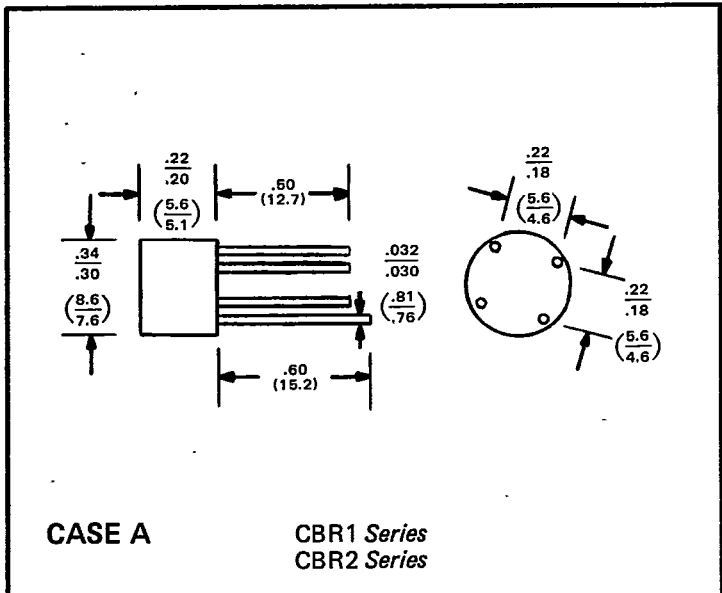




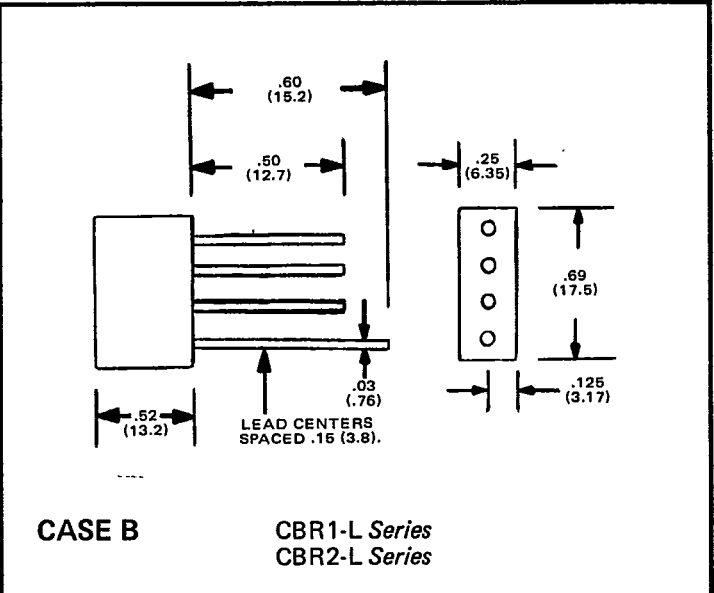
# CASE OUTLINE DRAWINGS

D



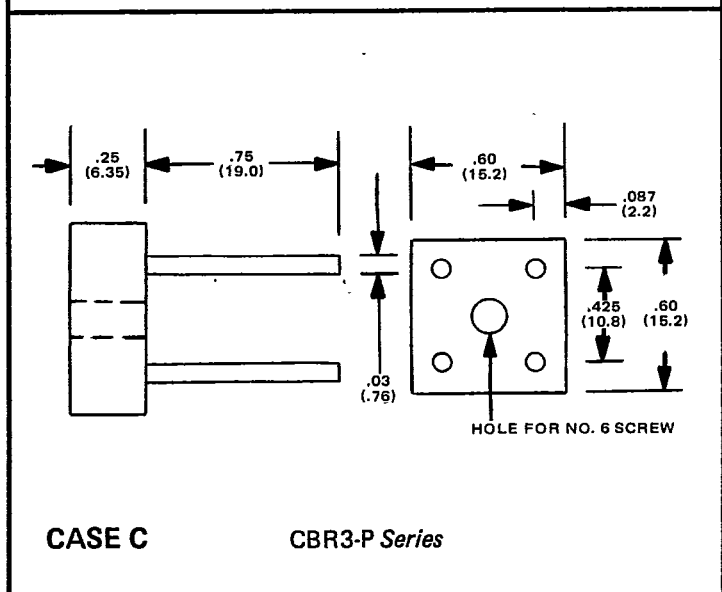
CASE A

CBR1 Series  
CBR2 Series



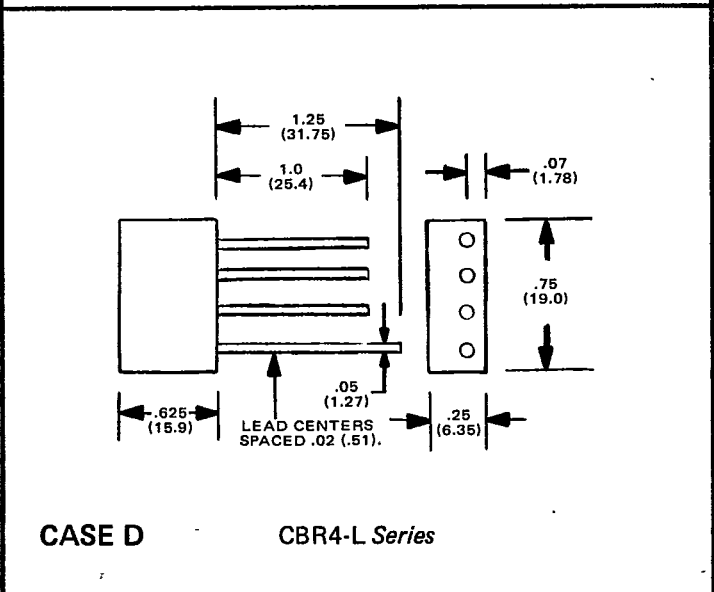
CASE B

CBR1-L Series  
CBR2-L Series



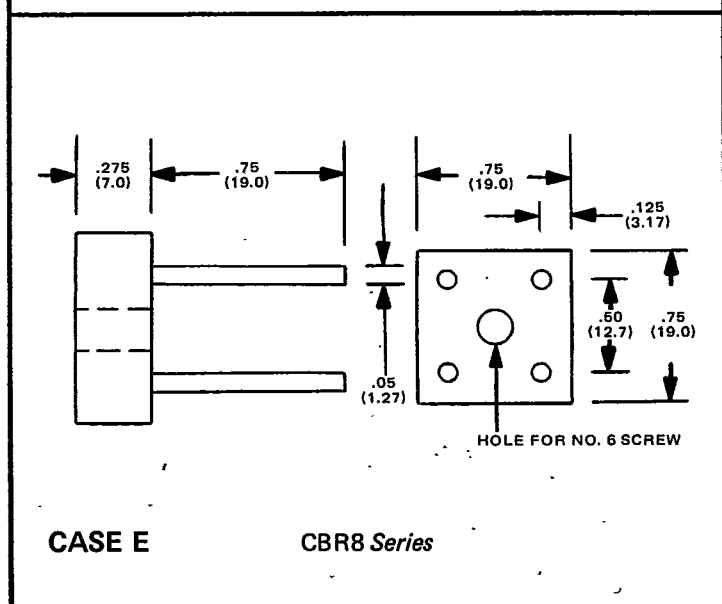
CASE C

CBR3-P Series



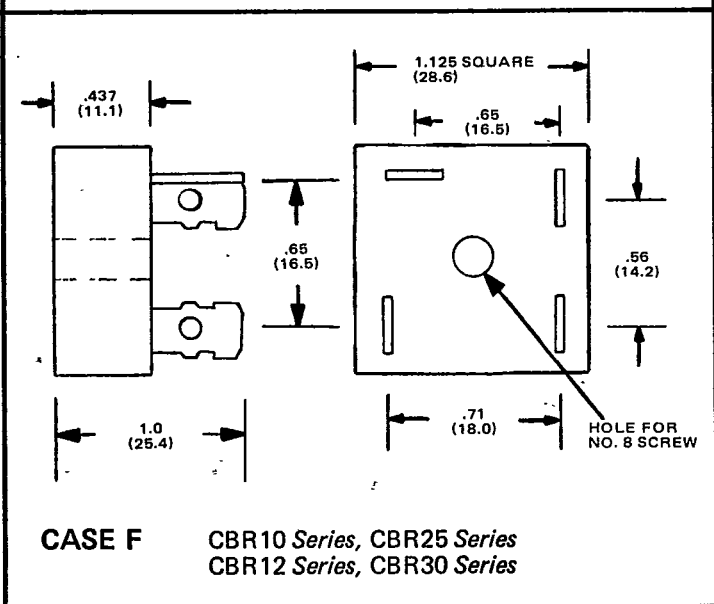
CASE D

CBR4-L Series



CASE E

CBR8 Series



CASE F

CBR10 Series, CBR25 Series  
CBR12 Series, CBR30 Series

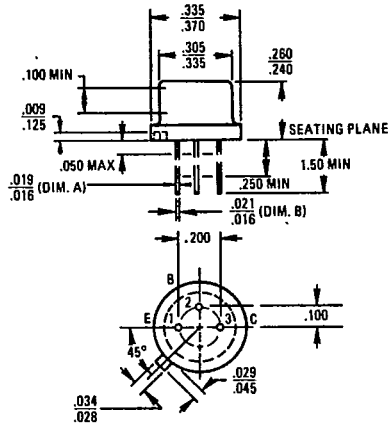
All Dimensions in Inches (Millimeters)

Drawings Not To Scale

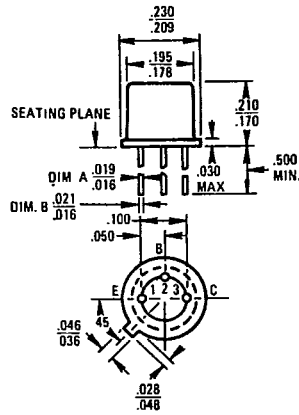
f

# MECHANICAL OUTLINE DRAWINGS

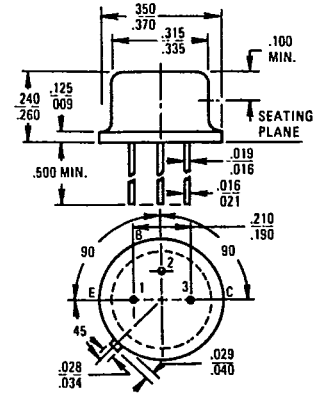
### TO-5



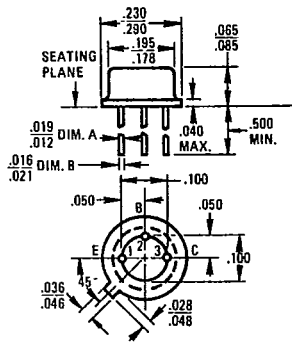
### TO-18



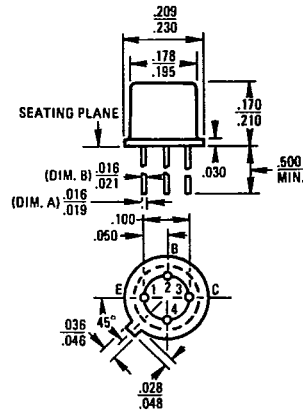
### TO-39



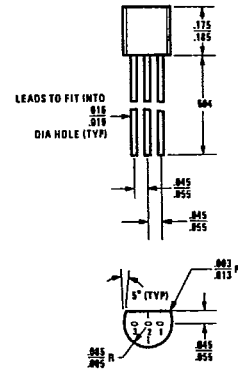
### TO-46



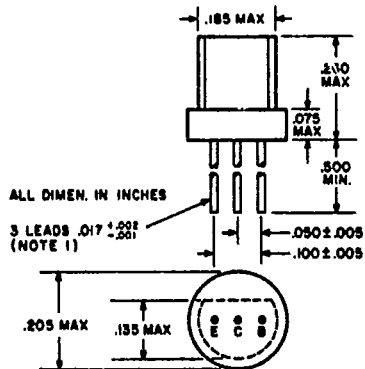
### TO-72



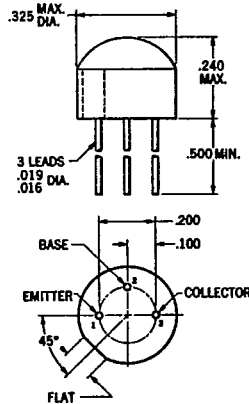
### TO-92



### TO-98



### TO-105



### TO-106

