

# ASSP

# Dual Serial Input PLL Frequency Synthesizer

## On-Chip 1.1 GHz Prescaler

## MB15U10

### ■ DESCRIPTION

The Fujitsu MB15U10 is a dual serial input phase-locked loop (PLL) frequency synthesizer and is ideally suitable for mobile communications such as cellular phones.

The MB15U10 has two PLL frequency synthesizer circuits on a single chip: one for transmission and the other for reception (PLL1 and PLL2).

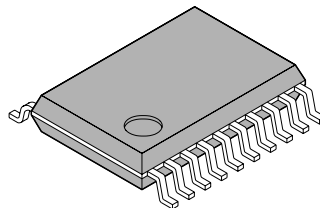
It can operate from a +2.6V to 5.5V supply. Fujitsu's advanced technology achieves an  $I_{CC}$  of 7 mA (typical) as well as 10  $\mu$ A (max.) at power saving mode.

### ■ FEATURES

- Two PLLs for transmission/reception
- Low current consumption :  $I_{CC} = 7$  mA typ. at 3 V
- Power saving function :  $I_{PS} = 10$   $\mu$ A max.
- Divide ratio setting with serial data input :  
Binary 12-bit reference counter: 6 to 4,095  
Binary 17-bit main counter: 1,024 to 131,071  
\*Main counters can be programmed individually each other.
- On-chip constant current source charge pumps
- Adjustable charge pump output current with an external resistor
- Lock detection function
- Phase matching circuit helps fast intermittent operation
- Plastic 20-pin SSOP (shrink small outline) package

### ■ PACKAGE

20-pin, Plastic SSOP

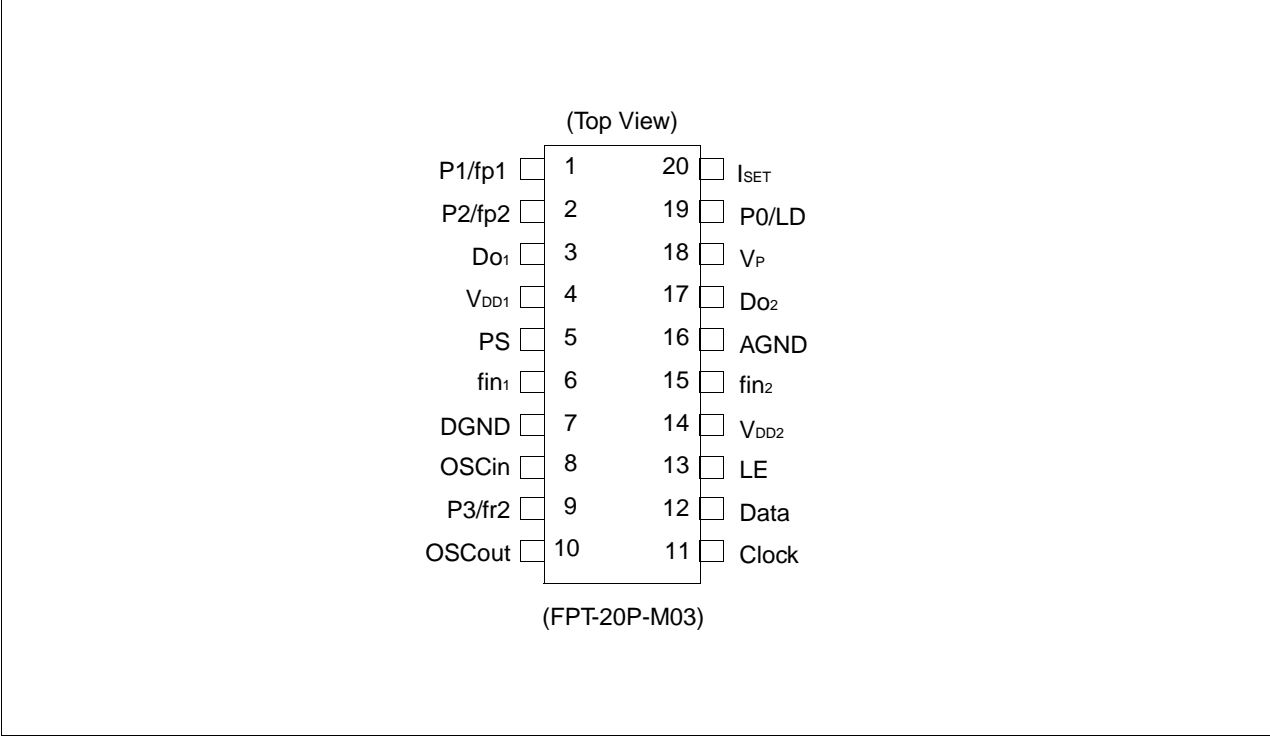


(FPT-20P-M03)

This device contains circuitry to protect the inputs against damage due to high static voltages or electric fields. However, it is advised that normal precautions be taken to avoid application of any voltage higher than maximum rated voltages to this high impedance circuit.

# MB15U10

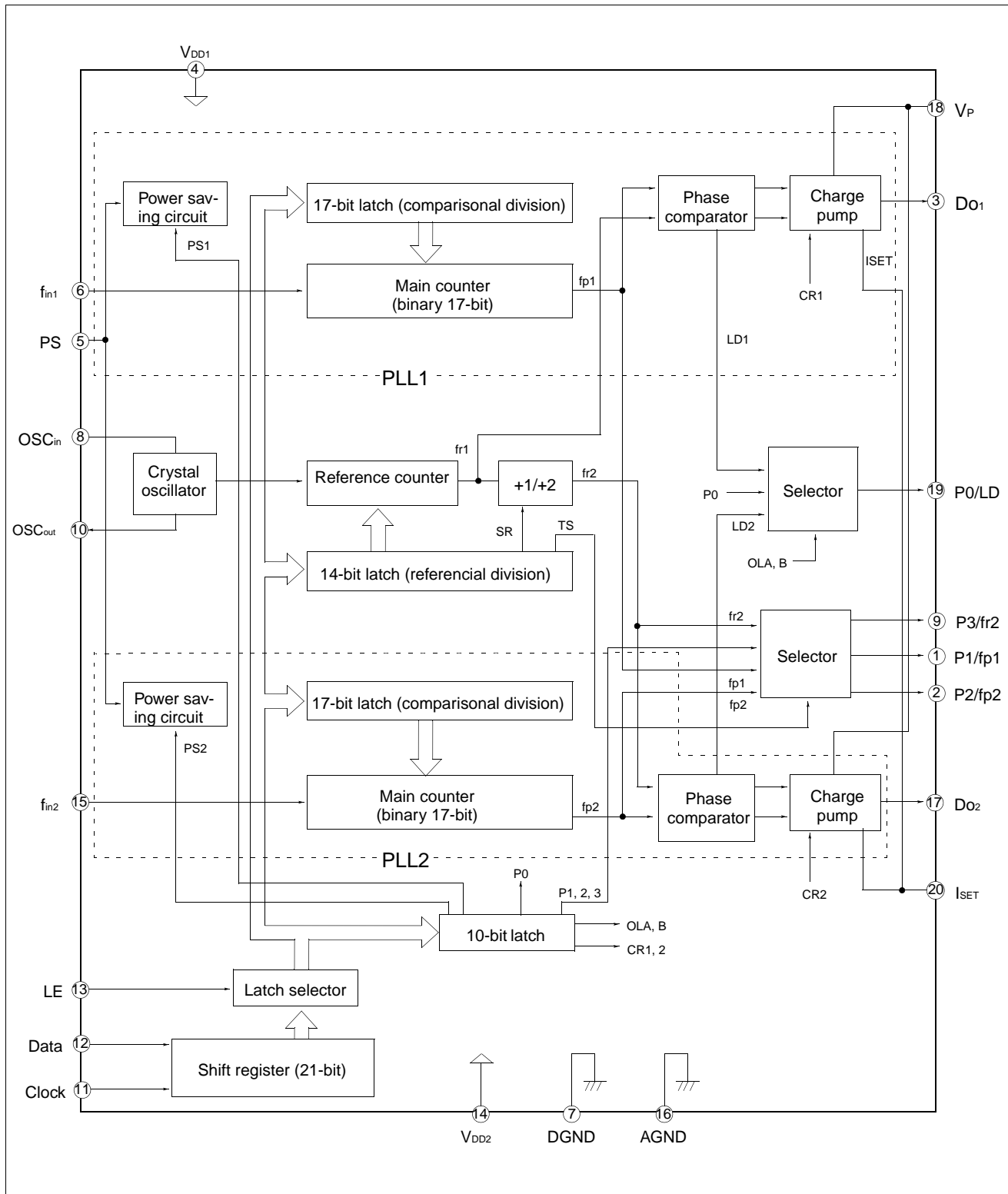
## ■ PIN ASSIGNMENT



## ■ PIN DESCRIPTION

Pin No.	Pin name	Descriptions
1	P1/fp1	Data output / fp1 monitoring output (Open drain output)
2	P2/fp2	Data output / fp2 monitoring output (Open drain output)
3	Do <sub>1</sub>	Charge pump output (PLL1)
4	V <sub>DD1</sub>	Power supply for digital blocks (PLL1)
5	PS	Power saving mode control (input "L" : power saving mode)
6	fin <sub>1</sub>	RF input (PLL1)
7	DGND	Ground for digital blocks
8	OSCin	Crystal oscillator or TCXO input
9	P3/fr2	Data output / fr2 monitoring output (Open drain output)
10	OSCOut	Crystal oscillator output (CMOS output)
11	Clock	Clock input
12	Data	Data input
13	LE	Load enable of serial input data (input "H" : Data is shifted into a latch.)
14	V <sub>DD2</sub>	Power supply for digital blocks (PLL2)
15	fin <sub>2</sub>	RF input (PLL2)
16	AGND	Ground for the charge pumps
17	Do <sub>2</sub>	Charge pump output (PLL2)
18	V <sub>P</sub>	Power supply for charge pump
19	P0/LD	Data output / lock detector output (Open drain output) Output is selected by "OLA" and "OLB" bits in a serial data
20	I <sub>SET</sub>	Charge pump output current adjustment (A resistor is connected.)

## ■ BLOCK DIAGRAM



## ■ ABSOLUTE MAXIMUM RATINGS

Parameter	Symbol	Rating	Unit	Remark
Power supply voltage	$V_{DD1,2}$	-0.3 to +6.0	V	
	$V_P$	$V_{DD}$ to 6.0	V	
Output voltage	$V_O$	-0.3 to $V_{DD} + 0.3$	V	
Output current	$I_O$	$\pm 10$	mA	
Open drain withstand voltage	$V_{OOP}$	-0.5 to 7.0	V	
Storage temperature	$T_{stg}$	-55 to +125	°C	

Note: Permanent device damage may occur if the above **Absolute Maximum Ratings** are exceeded. Functional operation should be restricted to the conditions as detailed in the operational sections of this data sheet. Exposure to absolute maximum rating conditions for extended periods may affect device reliability.

## ■ RECOMMENDED OPERATING CONDITIONS

Parameter	Symbol	Value			Unit	Remark
		Min	Typ	Max		
Power supply voltage	$V_{DD1, V_{DD2}}$	2.6	-	5.5	V	
	$V_P$	$V_{DD}$	-	6.0	V	
Input voltage	$V_I$	GND	-	$V_{DD}$	V	
Operating temperature	$T_a$	-30	-	+85	°C	

Notes: To protect against damage by electrostatic discharge, note the following handling precautions:

- Store and transport devices in conductive containers.
- Use properly grounded workstations, tools, and equipment.
- Turn off power before inserting or removing this device into or from a socket.
- Protect leads with conductive sheet, when transporting a board mounted device.

## ■ ELECTRICAL CHARACTERISTICS

Ta = 25°C

Parameter	Symbol	Value			Unit	Condition	
		Min	Typ	Max			
Power supply current (I <sub>DD1</sub> + I <sub>DD2</sub> )	I <sub>DD</sub>	–	7.0	9.0	mA	*1	
		–	11.0	13.5	mA	*2	
Stand by current	V <sub>DD1,2</sub>	I <sub>PS</sub>	–	–	10	μA	
Operating frequency	f <sub>in1,2</sub>	f <sub>in</sub> *3	90	–	1100	MHz	
	OSC <sub>in</sub>	f <sub>osc</sub>	3	12.8	35	MHz	
Input sensitivity	f <sub>in1,2</sub>	V <sub>fin</sub>	–13	–	+1	dBm	50Ω, V <sub>CC</sub> = 2.6 to 3.5V
	f <sub>in1,2</sub>	V <sub>fin</sub>	–7	–	+1	dBm	50Ω, V <sub>CC</sub> = 3.5 to 5.5V
	OSC <sub>in</sub>	V <sub>osc</sub>	0.5	–	–	V <sub>p-p</sub>	
High-level input voltage	Data, Clock, LE, PS	V <sub>IH</sub>	V <sub>DD</sub> × 0.7	–	–	V	
Low-level input voltage		V <sub>IL</sub>	–	–	V <sub>DD</sub> × 0.3	V	
High-level input current	Data, Clock, LE, PS	I <sub>IH</sub>	–	–	1.0	μA	
Low-level input current		I <sub>IL</sub>	–1.0	–	–	μA	
Input current	OSC <sub>in</sub>	I <sub>osc</sub>	–100	–	100	μA	
Low-level output voltage	P0 to P3	V <sub>OL</sub>	–	–	0.4	V	Open drain output
Set output voltage	I <sub>SET</sub>	V <sub>SET</sub>	–	1.2	–	V	R <sub>SET</sub> = 5kΩ to 60kΩ
High-impedance cut off current	D <sub>0</sub> , P0 to P3	I <sub>OFF</sub>	–	–	1.1	μA	
Output current	D <sub>01,2</sub>	I <sub>DOH1</sub> *4	1.4	1.9	2.4	mA	R <sub>SET</sub> = 7kΩ connected. CR1, 2 bits = "1" V <sub>DD</sub> = 3.0V, V <sub>P</sub> = 5.0V
		I <sub>DOL1</sub> *4	1.4	1.9	2.4	mA	
	D <sub>01,2</sub>	I <sub>DOH0</sub>	0.7	0.96	1.2	mA	R <sub>SET</sub> = 7kΩ connected. CR1, 2 bits = "0" V <sub>DD</sub> = 3.0V, V <sub>P</sub> = 5.0V
		I <sub>DOL0</sub>	0.7	0.96	1.2	mA	
	P0 to P3	I <sub>OL</sub>	1.0	–	–	mA	Open drain

Note: \*1 ; f<sub>IN</sub> = 1.1 GHz, OSC<sub>IN</sub> = 12.8 MHz, V<sub>DD</sub> = 3.0 V. In locked state.

\*2 ; f<sub>IN</sub> = 1.1 GHz, OSC<sub>IN</sub> = 12.8 MHz, V<sub>DD</sub> = 5.0 V. In locked state.

\*3 ; AC coupling with a 1000 pF capacitor connected.

\*4 ; The symbol "–" (minus) means direction of current flow.

## FUNCTIONAL DESCRIPTIONS

### Serial Data Input

Serial data is processed using the Data, Clock, and LE pins. Serial data controls the programmable reference divider, programmable divider (PLL1) and programmable divider (PLL2) separately by means of address setting.

Binary serial data is entered via the Data pin.

One bit of data is shifted into the internal shift register on the rising edge of the clock. When the load enable pin is high, stored data is latched.

#### a) Serial data input format

(MSB) ←																	Direction of data input				(LSB) →	
1	2	3	4	5	6	7	8	9	10	11	12	13	14	15	16	17	18	19	20	21		
X	X	X	P 0	O L A	O L B	C R 1	C R 2	X	X	P S 1	P S 2	P 3	P 2	P 1	X	X	0	0	0	1		
M A 16	M A 15	M A 14	M A 13	M A 12	M A 11	M A 10	M A 9	M A 8	M A 7	M A 6	M A 5	M A 4	M A 3	M A 2	M A 1	M A 0	0	1	0	0		
0	0	0	T S	S R	R 11	R 10	R 9	R 8	R 7	R 6	R 5	R 4	R 3	R 2	R 1	R 0	0	1	0	1		
M B 16	M B 15	M B 14	M B 13	M B 12	M B 11	M B 10	M B 9	M B 8	M B 7	M B 6	M B 5	M B 4	M B 3	M B 2	M B 1	M B 0	0	1	1	0		
Auxiliary bit for test (no need at ordinary use)																	0	0	0	0		
← Data setting →																	← Address →					

MA0 to 16	: Divide ratio setting bits of the main counter (PLL1)	[ See Table 1 ]
MB0 to 16	: Divide ratio setting bits of the main counter (PLL2)	[ See Table 2 ]
R0 to 11	: Divide ratio setting bits of the reference counter	[ See Table 3 ]
SR	: Divide ratio select bit of reference frequency (PLL1 and PLL2)	[ See Table 4 ]
P0 to 3	: Setting bits of P0 to P3 output pins	[ See Table 5 ]
OLA, B	: Select bits of P0/LD pin output	[ See Table 6 ]
CR1, 2	: Select bits of charge pump output current	[ See Table 7 ]
PS1, 2	: Power saving mode control bits	[ See Table 8 ]
TS	: Test bits (Set "0" at ordinary use.)	[ See Table 9 ]
X	: Dummy bits (Set "0" or "1".)	
0	: Set "0"	

Note: Start data input with MSB first.

## b) Data setting description

- Table 1 : MA0 to MA16 : Divide ratio of the binary 17-bit main counter (PLL1)

Divide Ratio (MA)	MA 16	MA 15	MA 14	MA 13	MA 12	MA 11	MA 10	MA 9	MA 8	MA 7	MA 6	MA 5	MA 4	MA 3	MA 2	MA 1	MA 0
1024	0	0	0	0	0	0	1	0	0	0	0	0	0	0	0	0	0
1025	0	0	0	0	0	0	1	0	0	0	0	0	0	0	0	0	1
•	•	•	•	•	•	•	•	•	•	•	•	•	•	•	•	•	•

Note: • Divide ratios less than 1,024 are prohibited. (Divide ratio = 1,024 to 131,071)

- Table 2 : MB0 to MB16 : Divide ratio of the binary 17-bit main counter (PLL2)

Divide Ratio (MB)	MB 16	MB 15	MB 14	MB 13	MB 12	MB 11	MB 10	MB 9	MB 8	MB 7	MB 6	MB 5	MB 4	MB 3	MB 2	MB 1	MB 0
1024	0	0	0	0	0	0	1	0	0	0	0	0	0	0	0	0	0
1025	0	0	0	0	0	0	1	0	0	0	0	0	0	0	0	0	1
•	•	•	•	•	•	•	•	•	•	•	•	•	•	•	•	•	•

Note: • Divide ratios less than 1,024 are prohibited. (Divide ratio = 1,024 to 131,071)

- Table 3 : R0 to R11 : Divide ratio of the binary 12-bit reference counter

Divide Ratio (R)	R 11	R 10	R 9	R 8	R 7	R 6	R 5	R 4	R 3	R 2	R 1	R 0
6	0	0	0	0	0	0	0	0	0	1	1	0
7	0	0	0	0	0	0	0	0	0	1	1	1
•	•	•	•	•	•	•	•	•	•	•	•	•

Note: • Divide ratios less than 6 are prohibited. (Divide ratio = 6 to 4,095)

- Table 4 : Divide ratio select bit of reference frequency (PLL1 and PLL2)

SR	Divide ratio of reference frequency (PLL1)	Divide ratio of reference frequency (PLL2)
0	R	R
1	R	2R

Note: R = Programmed value with R0 to R11 bits



- Table 5 : P0 to P3 ; P0 to P3 outputs control

PX bit	PX output (19, 1, 2, 9 pins)
0	ON ("L")
1	OFF ("Z")

Notes: X = 0 to 3

- Table 6 : OLA, OLB ; 19-pin output selection

OLA	OLB	19-pin output
0	0	P0 signal
0	1	Lock detect signal (PLL2)
1	0	Lock detect signal (PLL1)
1	1	Lock detect signal (PLL1 and PLL2)

- Table 7 : CR1, CR2 ; Charge pump output current selection

CR1, 2	Charge pump output current
0	$I_{DO}$
1	$2I_{DO}$

Notes: PLL1 and PLL2 can be controlled individually.

- Table 8 : PS ; Power saving control

PS1, 2	Operating mode
0	Power saving mode
1	Operation

Notes: PLL1 and PLL2 can be controlled individually.

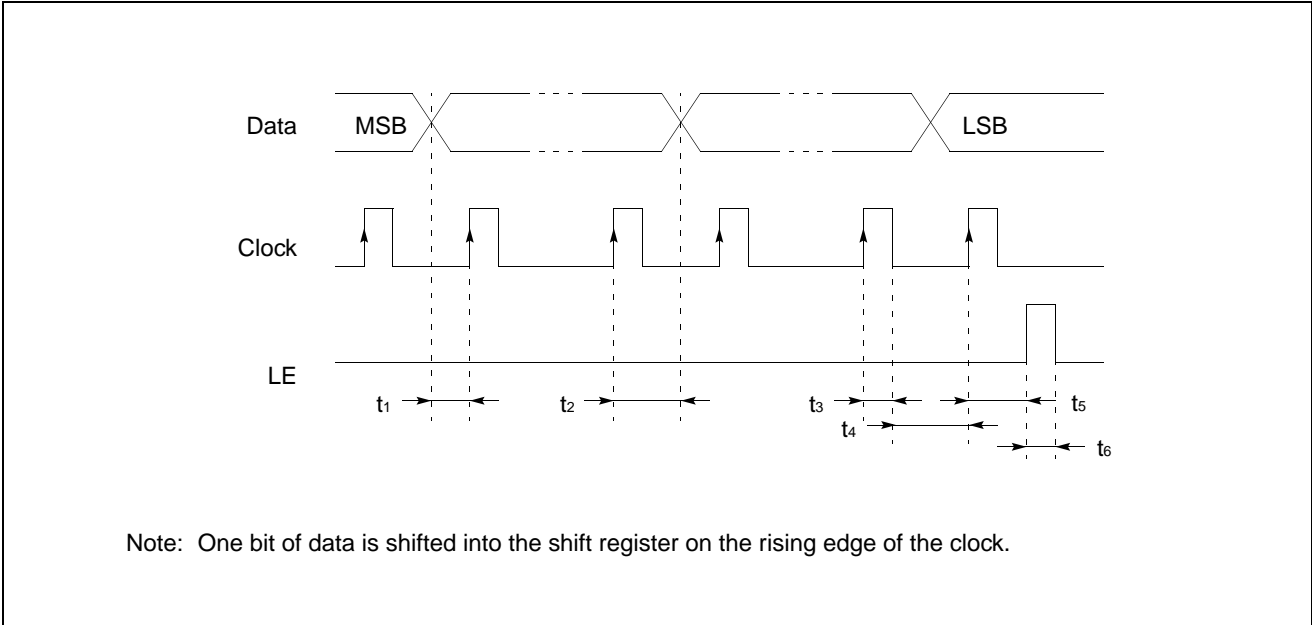
- Table 9 : TS ; Test bit (Set to "0" at ordinary use.)

TS	1-pin	2-pin	9-pin
0	Output P1 signal	Output P2 signal	Output P3 signal
1	Outputs fp1	Outputs fp2	Outputs fp3

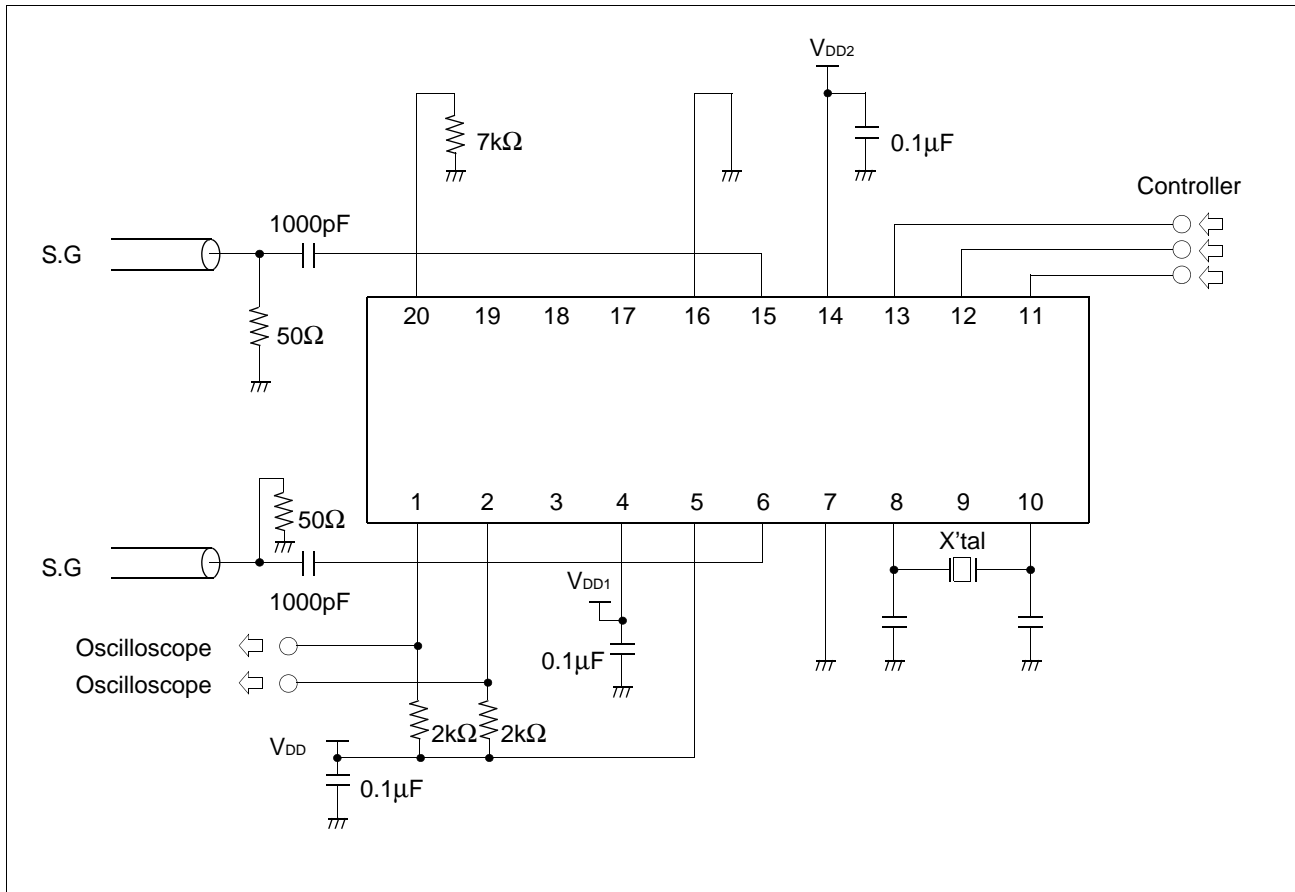
Notes: Reference frequency and comparison frequency can be monitored via P1 to P3 pins.

## Serial Data Input Timing

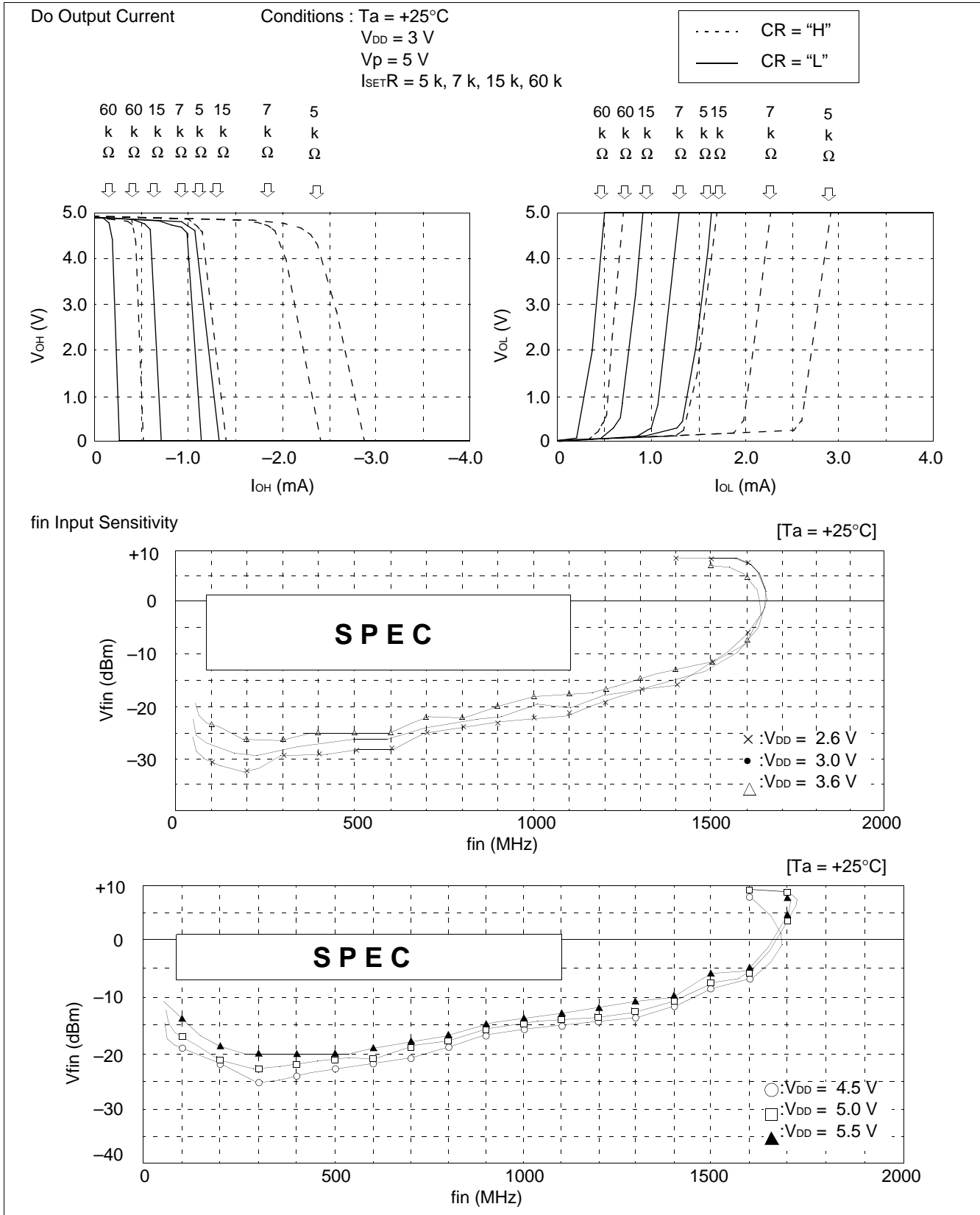
- $t_1 \geq 20 \text{ ns}$ ,  $t_2 \geq 20 \text{ ns}$ ,  $t_3 \geq 50 \text{ ns}$ ,  $t_4 \geq 50 \text{ ns}$ ,  $t_5 \geq 20 \text{ ns}$ ,  $t_6 \geq 1000 \text{ ns}$



## ■ TEST CIRCUIT (for Measuring fin Input Sensitivity)

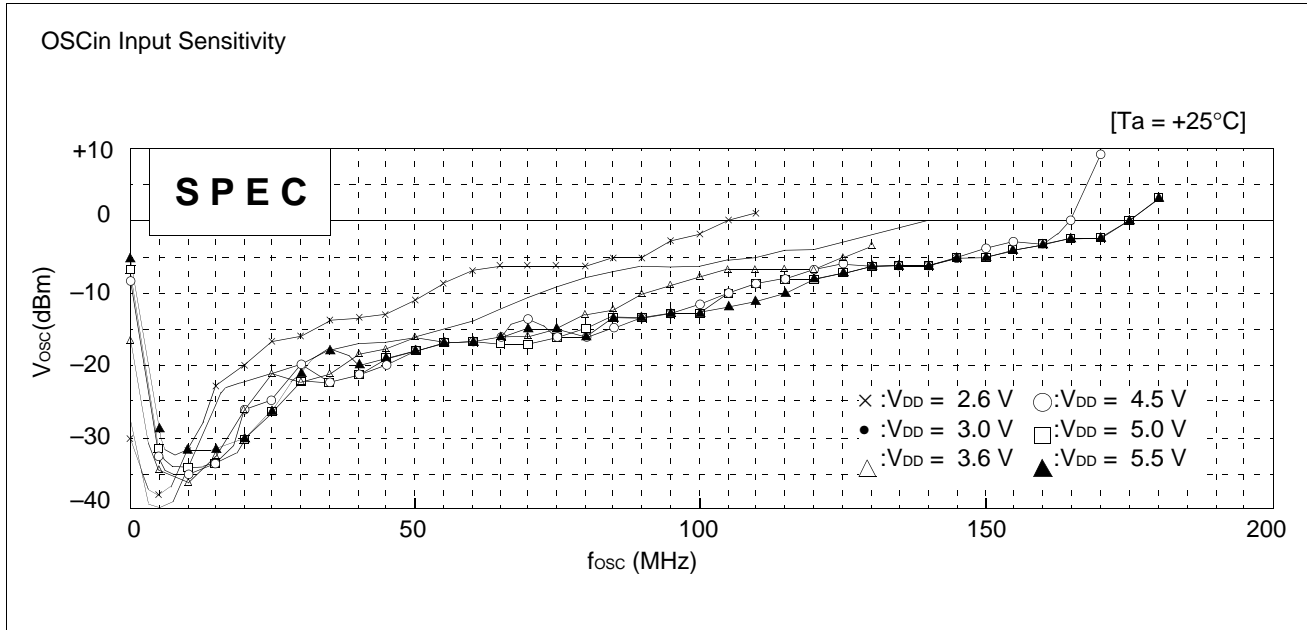


## ■ TYPICAL CHARACTERISTICS



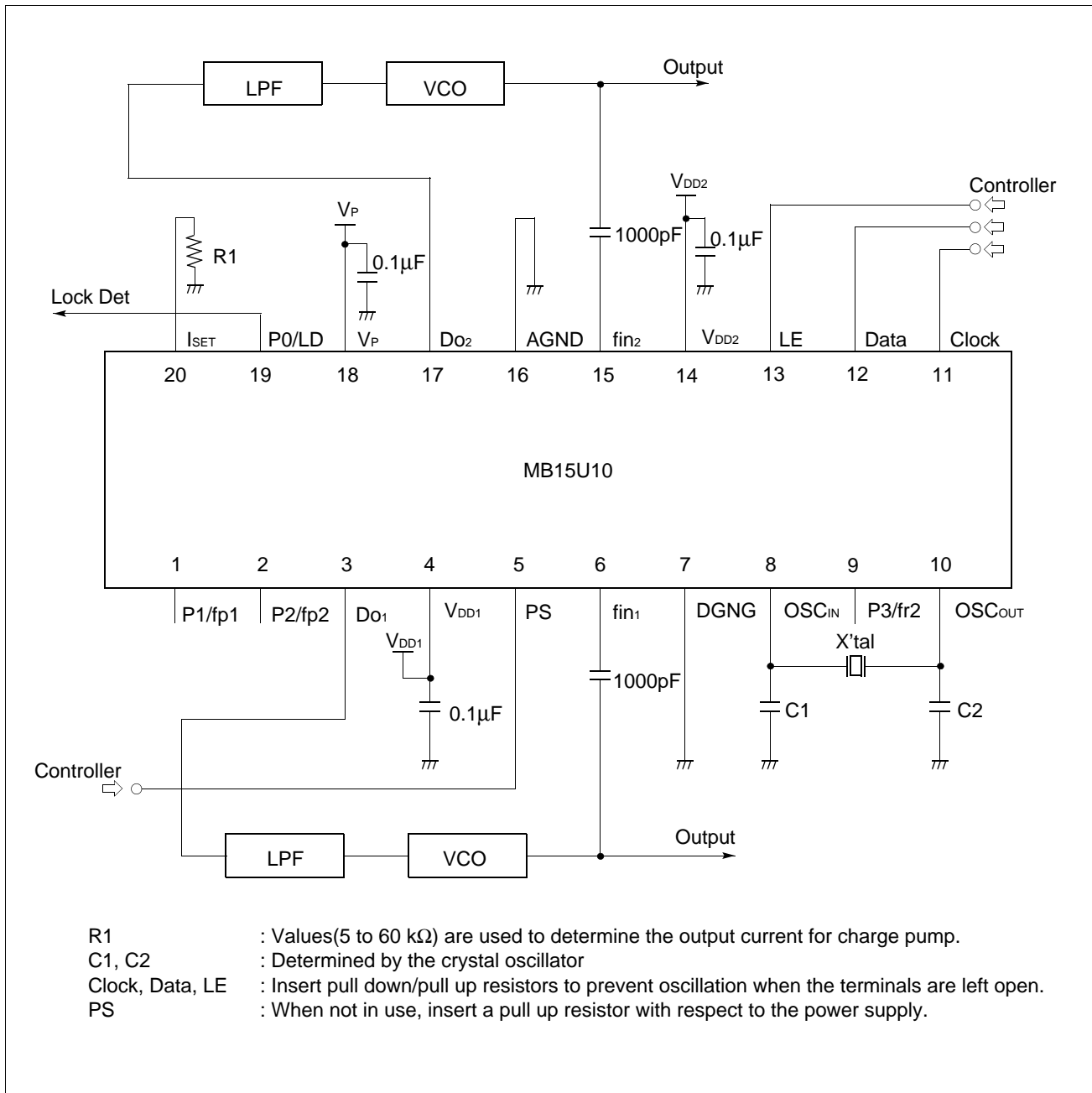
(Continued)

(Continued)



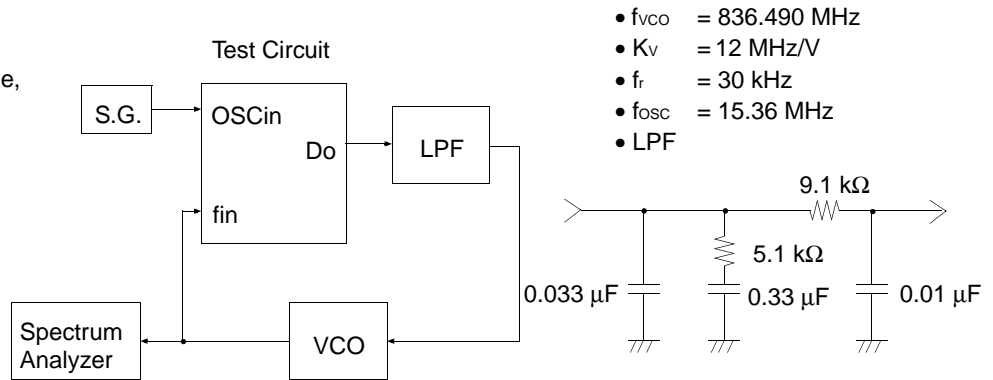
# MB15U10

## APPLICATION EXAMPLE

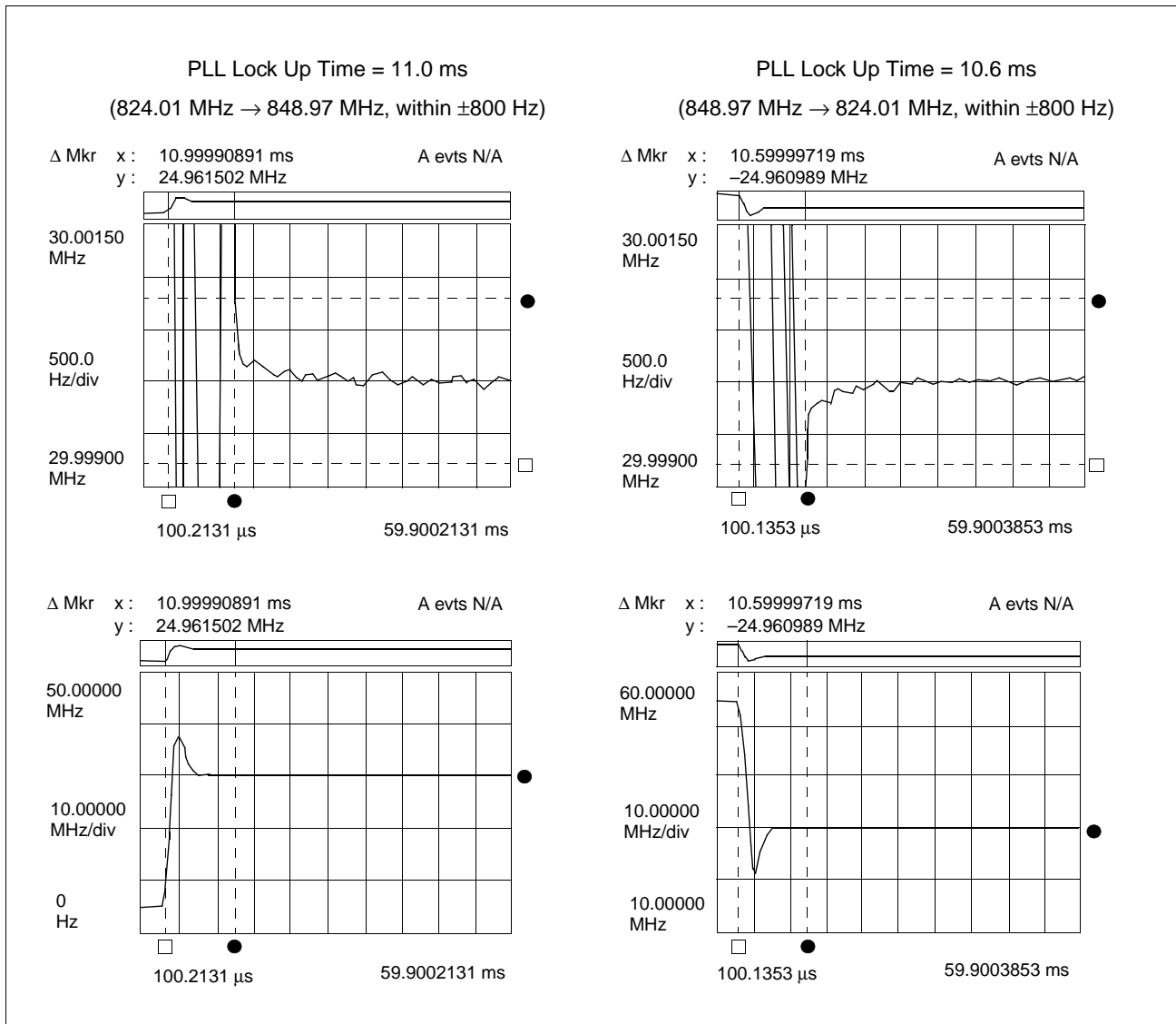


## REFERENCE INFORMATION

Typical plots measured with the test circuit are shown below. Each plots shows lock up time, phase noise, and reference leakage.

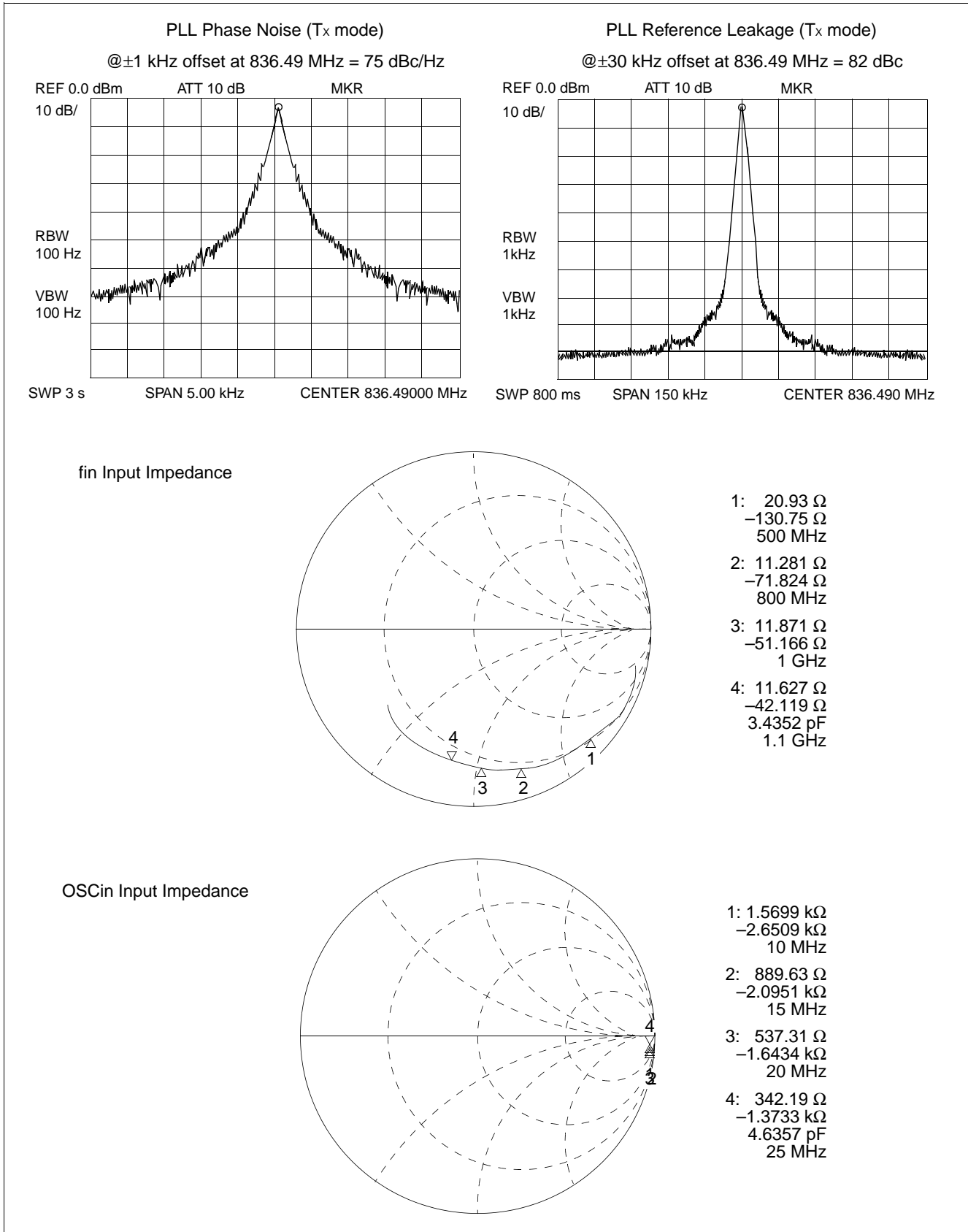


- $f_{VCO} = 836.490 \text{ MHz}$
- $K_V = 12 \text{ MHz/V}$
- $f_r = 30 \text{ kHz}$
- $f_{osc} = 15.36 \text{ MHz}$
- LPF



(Continued)

(Continued)





## ■ ORDERING INFORMATION

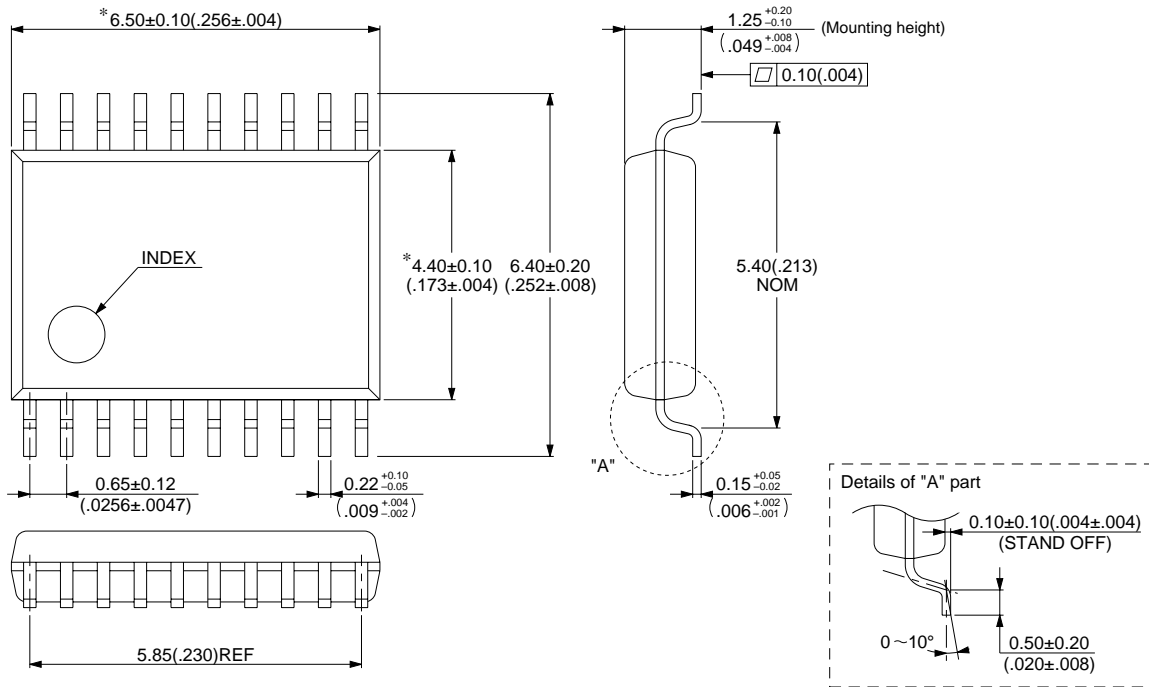
Part number	Package	Remarks
MB15U10PFV	20pin, Plastic SSOP (FPT-20P-M03)	

# MB15U10

## ■ PACKAGE DIMENSION

20 pin, Plastic SSOP  
(FPT-20P-M03)

\*: These dimensions do not include resin protrusion.



© 1994 FUJITSU LIMITED F20012S-2C-4

Dimensions in mm (inches).

# FUJITSU LIMITED

*For further information please contact:*

## **Japan**

FUJITSU LIMITED  
Corporate Global Business Support Division  
Electronic Devices  
KAWASAKI PLANT, 4-1-1, Kamikodanaka  
Nakahara-ku, Kawasaki-shi  
Kanagawa 211-88, Japan  
Tel: (044) 754-3763  
Fax: (044) 754-3329

## **North and South America**

FUJITSU MICROELECTRONICS, INC.  
Semiconductor Division  
3545 North First Street  
San Jose, CA 95134-1804, U.S.A.  
Tel: (408) 922-9000  
Fax: (408) 432-9044/9045

## **Europe**

FUJITSU MIKROELEKTRONIK GmbH  
Am Siebenstein 6-10  
63303 Dreieich-Buchsschlag  
Germany  
Tel: (06103) 690-0  
Fax: (06103) 690-122

## **Asia Pacific**

FUJITSU MICROELECTRONICS ASIA PTE. LIMITED  
#05-08, 151 Lorong Chuan  
New Tech Park  
Singapore 556741  
Tel: (65) 281-0770  
Fax: (65) 281-0220

F9703

© FUJITSU LIMITED Printed in Japan

All Rights Reserved.

The contents of this document are subject to change without notice. Customers are advised to consult with FUJITSU sales representatives before ordering.

The information and circuit diagrams in this document presented as examples of semiconductor device applications, and are not intended to be incorporated in devices for actual use. Also, FUJITSU is unable to assume responsibility for infringement of any patent rights or other rights of third parties arising from the use of this information or circuit diagrams.

FUJITSU semiconductor devices are intended for use in standard applications (computers, office automation and other office equipment, industrial, communications, and measurement equipment, personal or household devices, etc.).

### **CAUTION:**

Customers considering the use of our products in special applications where failure or abnormal operation may directly affect human lives or cause physical injury or property damage, or where extremely high levels of reliability are demanded (such as aerospace systems, atomic energy controls, sea floor repeaters, vehicle operating controls, medical devices for life support, etc.) are requested to consult with FUJITSU sales representatives before such use. The company will not be responsible for damages arising from such use without prior approval.

Any semiconductor devices have inherently a certain rate of failure. You must protect against injury, damage or loss from such failures by incorporating safety design measures into your facility and equipment such as redundancy, fire protection, and prevention of over-current levels and other abnormal operating conditions.

If any products described in this document represent goods or technologies subject to certain restrictions on export under the Foreign Exchange and Foreign Trade Control Law of Japan, the prior authorization by Japanese government should be required for export of those products from Japan.