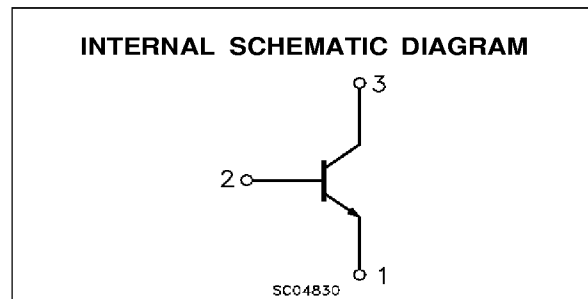
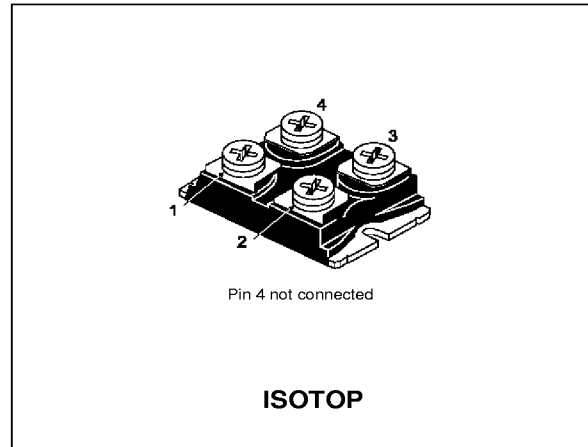


NPN TRANSISTOR POWER MODULE

- HIGH CURRENT POWER BIPOLAR MODULE
- VERY LOW R_{th} JUNCTION CASE
- SPECIFIED ACCIDENTAL OVERLOAD AREAS
- ISOLATED CASE (2500V RMS)
- EASY TO MOUNT
- LOW INTERNAL PARASITIC INDUCTANCE

INDUSTRIAL APPLICATIONS:

- MOTOR CONTROL
- SMPS & UPS
- WELDING EQUIPMENT



ABSOLUTE MAXIMUM RATINGS

| Symbol | Parameter | Value | Unit |
|----------------|--|------------|------|
| V_{CEV} | Collector-Emitter Voltage ($V_{BE} = -5$ V) | 1000 | V |
| $V_{CEO(sus)}$ | Collector-Emitter Voltage ($I_B = 0$) | 450 | V |
| V_{EBO} | Emitter-Base Voltage ($I_C = 0$) | 7 | V |
| I_C | Collector Current | 30 | A |
| I_{CM} | Collector Peak Current ($t_p = 10$ ms) | 60 | A |
| I_B | Base Current | 8 | A |
| I_{BM} | Base Peak Current ($t_p = 10$ ms) | 16 | A |
| P_{tot} | Total Dissipation at $T_c = 25$ °C | 150 | W |
| T_{stg} | Storage Temperature | -55 to 150 | °C |
| T_j | Max. Operating Junction Temperature | 150 | °C |
| V_{ISO} | Insulation Withstand Voltage (AC-RMS) | 2500 | °C |

BUV98AV

THERMAL DATA

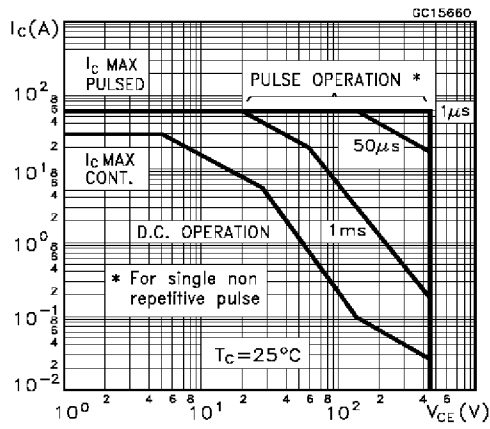
| | | | | |
|----------------|---|-----|------|------|
| $R_{thj-case}$ | Thermal Resistance Junction-case | Max | 0.83 | °C/W |
| R_{thc-h} | Thermal Resistance Case-heatsink With Conductive Grease Applied | Max | 0.05 | °C/W |

ELECTRICAL CHARACTERISTICS ($T_{case} = 25\text{ °C}$ unless otherwise specified)

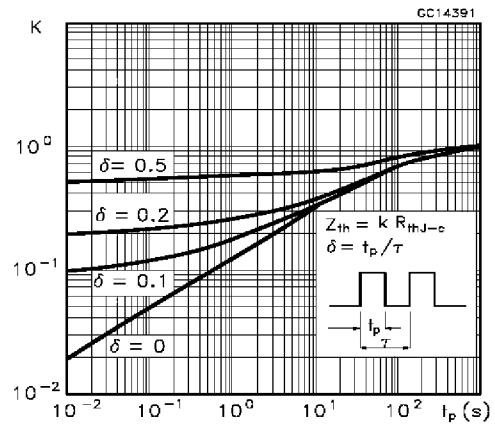
| Symbol | Parameter | Test Conditions | Min. | Typ. | Max. | Unit |
|--------------------|--|---|------|------|----------|--------------------|
| I_{CER} | Collector Cut-off Current ($R_{BE} = 5\ \Omega$) | $V_{CE} = V_{CEV}$ $V_{CE} = V_{CEV}$ $T_j = 100\text{ °C}$ | | | 1 8 | mA mA |
| I_{CEV} | Collector Cut-off Current ($V_{BE} = -5V$) | $V_{CE} = V_{CEV}$ $V_{CE} = V_{CEV}$ $T_j = 100\text{ °C}$ | | | 0.4 4 | mA mA |
| I_{EBO} | Emitter Cut-off Current ($I_C = 0$) | $V_{EB} = 5\ V$ | | | 2 | mA |
| $V_{CEO(SUS)}^*$ | Collector-Emitter Sustaining Voltage | $I_C = 0.2\ A$ $L = 25\ mH$ $V_{clamp} = 450\ V$ | 450 | | | V |
| h_{FE}^* | DC Current Gain | $I_C = 24\ A$ $V_{CE} = 5\ V$ | | 9 | | |
| $V_{CE(sat)}^*$ | Collector-Emitter Saturation Voltage | $I_C = 16\ A$ $I_B = 3.2\ A$ $I_C = 24\ A$ $I_B = 5\ A$ | | | 1.5 5 | V V |
| $V_{BE(sat)}^*$ | Base-Emitter Saturation Voltage | $I_C = 16\ A$ $I_B = 3.2\ A$ | | | 1.6 | V |
| di_C/dt | Rate of Rise of On-state Collector | $V_{CC} = 300\ V$ $R_C = 0$ $t_p = 3\ \mu s$ $I_{B1} = 6\ A$ $T_j = 100\text{ °C}$ | 100 | | | A/ μs |
| $V_{CE(3\ \mu s)}$ | Collector-Emitter Dynamic Voltage | $V_{CC} = 300\ V$ $R_C = 15\ \Omega$ $I_{B1} = 6\ A$ $T_j = 100\text{ °C}$ | | | 8 | V |
| $V_{CE(5\ \mu s)}$ | Collector-Emitter Dynamic Voltage | $V_{CC} = 300\ V$ $R_C = 15\ \Omega$ $I_{B1} = 6\ A$ $T_j = 100\text{ °C}$ | | | 4 | V |
| t_s t_f | Storage Time Fall Time | $I_C = 16\ A$ $V_{CC} = 50\ V$ $V_{BB} = -5\ V$ $L_B = 1.5\ \mu H$ $V_{clamp} = 300\ V$ $I_{B1} = 3.2\ A$ $L = 750\ \mu H$ $T_j = 100\text{ °C}$ | | | 5 0.4 | μs μs |
| V_{CEW} | Maximum Collector Emitter Voltage Without Snubber | $I_{Cwoff} = 30\ A$ $I_{B1} = 6\ A$ $V_{BB} = -5\ V$ $V_{CC} = 50\ V$ $L = 750\ \mu H$ $L_B = 15\ \mu H$ $T_j = 125\text{ °C}$ | 350 | | | V |

* Pulsed: Pulse duration = 300 μs , duty cycle 1.5 %

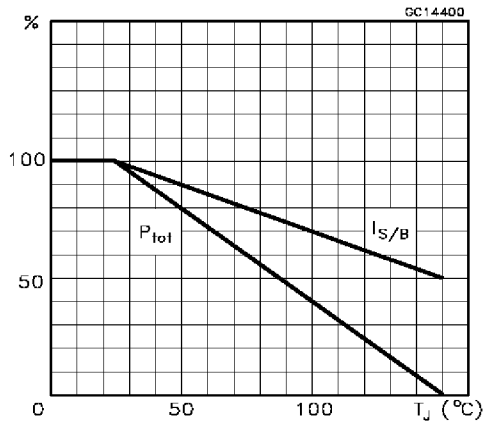
Safe Operating Areas



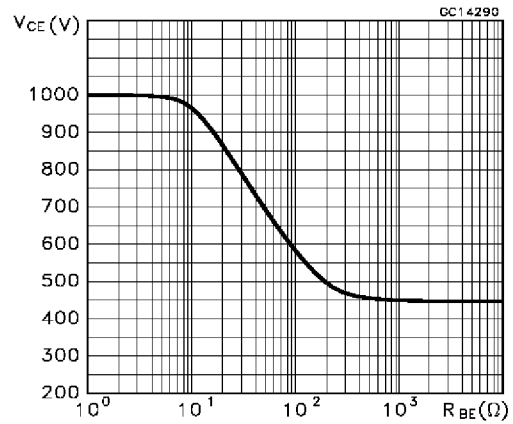
Thermal Impedance



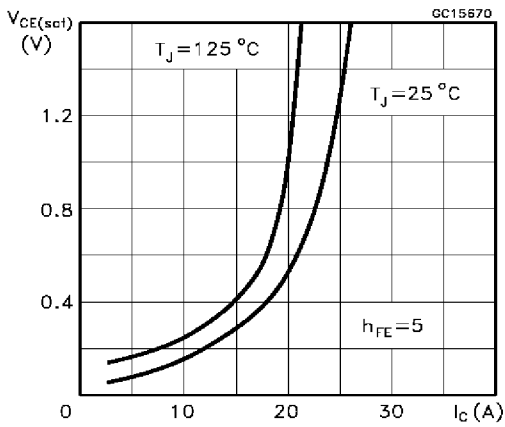
Derating Curve



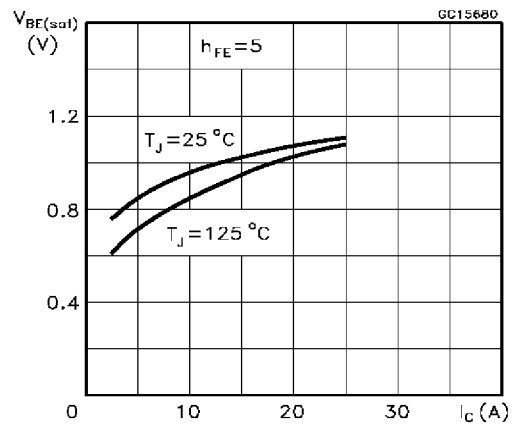
Collector-emitter Voltage Versus base-emitter Resistance



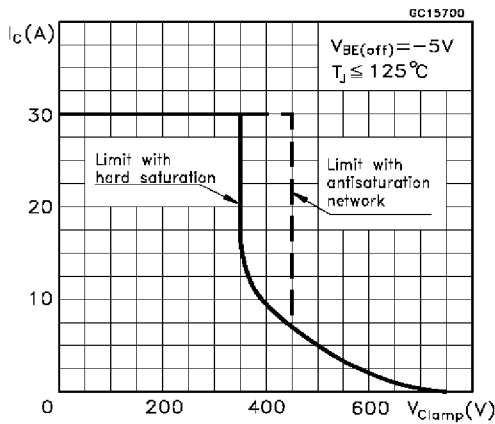
Collector Emitter Saturation Voltage



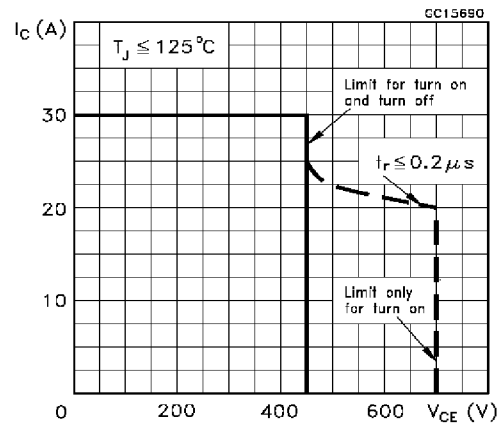
Base-Emitter Saturation Voltage



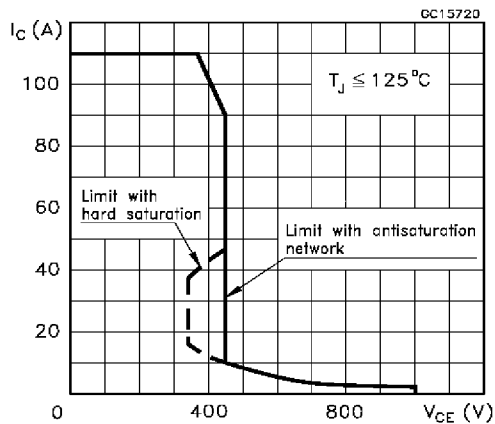
Reverse Biased SOA



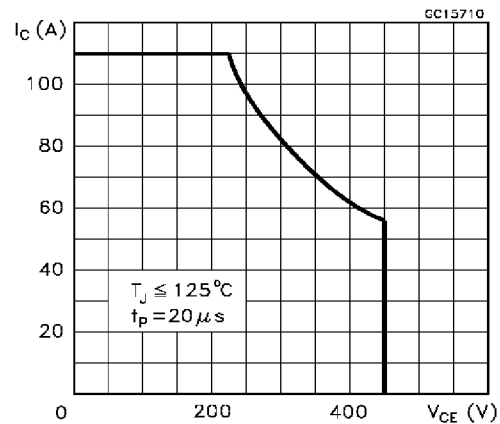
Forward Biased SOA



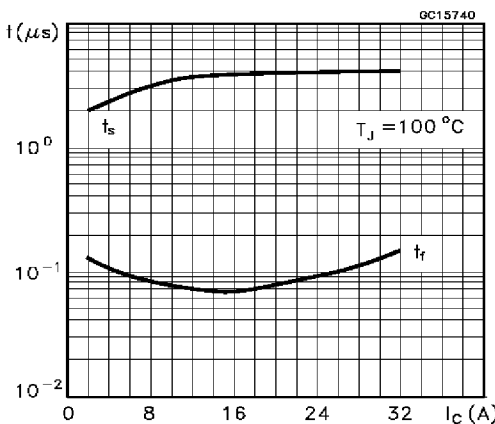
Reverse Biased AOA



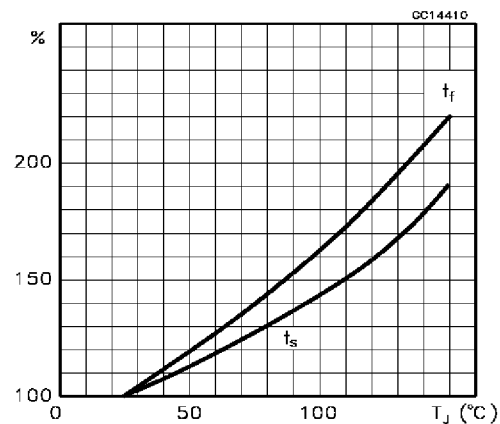
Forward Biased AOA



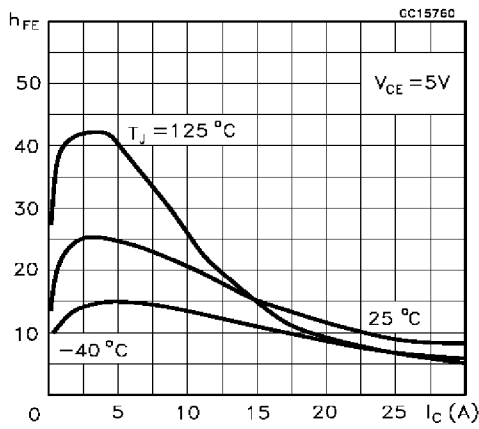
Switching Times Inductive Load



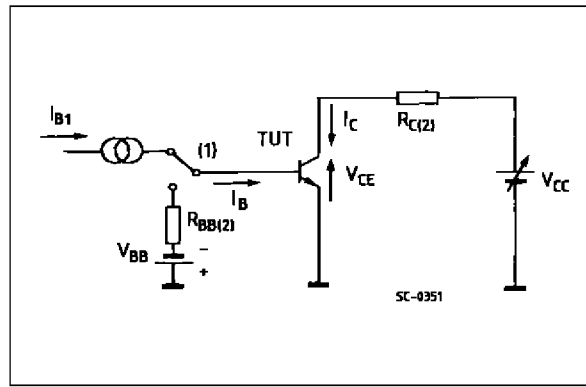
Switching Times Inductive Load Versus Temperature



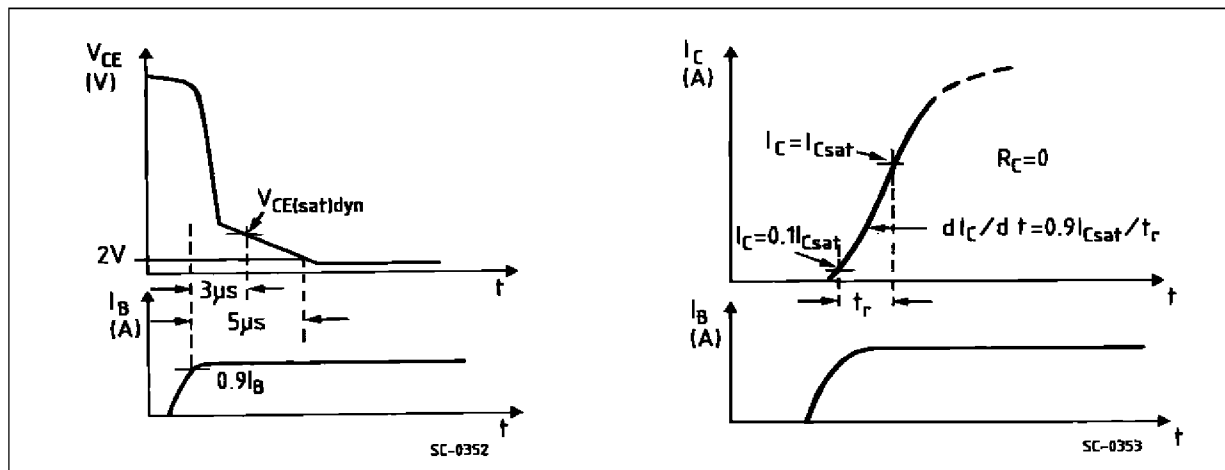
Dc Current Gain



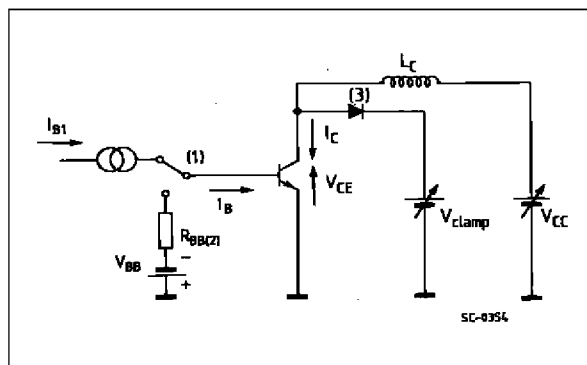
Turn-on Switching Test Circuit



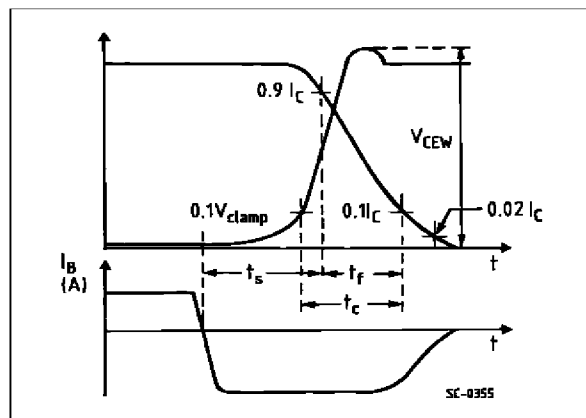
Turn-on Switching Waveforms



Turn-off Switching Test Circuit



Turn-off Switching Waveforms



- (1) Fast electronic switch
- (2) Non-inductive load
- (3) Fast recovery rectifier

ISOTOP MECHANICAL DATA

| DIM. | mm | | | inch | | |
|------|-------|------|------|-------|------|-------|
| | MIN. | TYP. | MAX. | MIN. | TYP. | MAX. |
| A | 11.8 | | 12.2 | 0.466 | | 0.480 |
| B | 8.9 | | 9.1 | 0.350 | | 0.358 |
| C | 1.95 | | 2.05 | 0.076 | | 0.080 |
| D | 0.75 | | 0.85 | 0.029 | | 0.033 |
| E | 12.6 | | 12.8 | 0.496 | | 0.503 |
| F | 25.15 | | 25.5 | 0.990 | | 1.003 |
| G | 31.5 | | 31.7 | 1.240 | | 1.248 |
| H | 4 | | | 0.157 | | |
| J | 4.1 | | 4.3 | 0.161 | | 0.169 |
| K | 14.9 | | 15.1 | 0.586 | | 0.594 |
| L | 30.1 | | 30.3 | 1.185 | | 1.193 |
| M | 37.8 | | 38.2 | 1.488 | | 1.503 |
| N | 4 | | | 0.157 | | |
| O | 7.8 | | 8.2 | 0.307 | | 0.322 |

