

Silicon NPN Power Transistors

2SC3250

DESCRIPTION

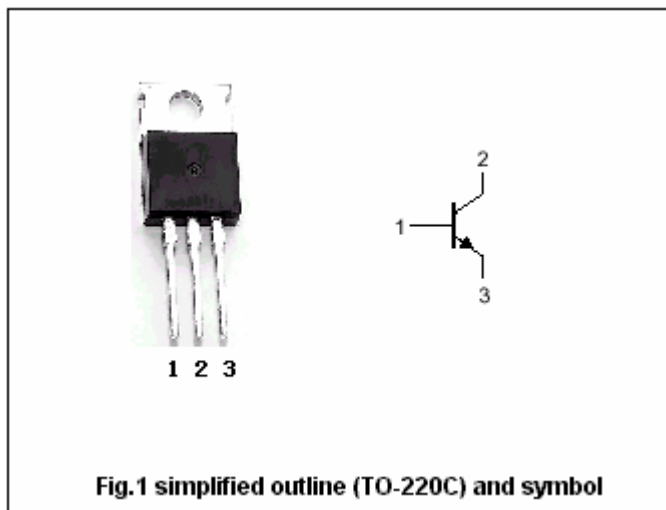
- With TO-220 package
- High V_{CEO}
- Large P_C

APPLICATIONS

- For TV video output amplifier applications

PINNING

| PIN | DESCRIPTION |
|-----|--------------------------------------|
| 1 | Base |
| 2 | Collector;connected to mounting base |
| 3 | Emitter |



Absolute maximum ratings ($T_a=25^\circ\text{C}$)

| SYMBOL | PARAMETER | CONDITIONS | VALUE | UNIT |
|-----------|-----------------------------|------------------------|---------|------------------|
| V_{CBO} | Collector-base voltage | Open emitter | 300 | V |
| V_{CEO} | Collector-emitter voltage | Open base | 300 | V |
| V_{EBO} | Emitter-base voltage | Open collector | 7 | V |
| I_C | Collector current | | 0.1 | A |
| I_{CP} | Collector current-peak | | 0.2 | A |
| P_C | Collector power dissipation | $T_c=25^\circ\text{C}$ | 15 | W |
| T_j | Junction temperature | | 150 | $^\circ\text{C}$ |
| T_{stg} | Storage temperature | | -55~150 | $^\circ\text{C}$ |

Silicon NPN Power Transistors

2SC3250

CHARACTERISTICS

T_j=25°C unless otherwise specified

| SYMBOL | PARAMETER | CONDITIONS | MIN | TYP. | MAX | UNIT |
|----------------------|--------------------------------------|--|-----|------|-----|------|
| V _{(BR)CEO} | Collector-emitter breakdown voltage | I _C =0.1mA ; I _B =0 | 300 | | | V |
| V _{(BR)CBO} | Collector-base breakdown voltage | I _C =0.1mA ; I _E =0 | 300 | | | V |
| V _{(BR)EBO} | Emitter-base breakdown voltage | I _E =0.1mA ; I _C =0 | 7 | | | V |
| V _{CE(sat)} | Collector-emitter saturation voltage | I _C =50mA ; I _B =5mA | | | 1.5 | V |
| V _{BE} | Base-emitter on voltage | I _C =30mA ; V _{CE} =10V | | | 1.2 | V |
| h _{FE-1} | DC current gain | I _C =5mA ; V _{CE} =50V | 50 | | 250 | |
| h _{FE-2} | DC current gain | I _C =30mA ; V _{CE} =10V | 30 | | | |
| C _{OB} | Collector output capacitance | I _E =0 ; V _{CB} =30V, f=1MHz | | | 5.0 | pF |
| f _T | Transition frequency | I _E =-20mA ; V _{CB} =30V | 70 | 100 | | MHz |

Silicon NPN Power Transistors

2SC3250

PACKAGE OUTLINE

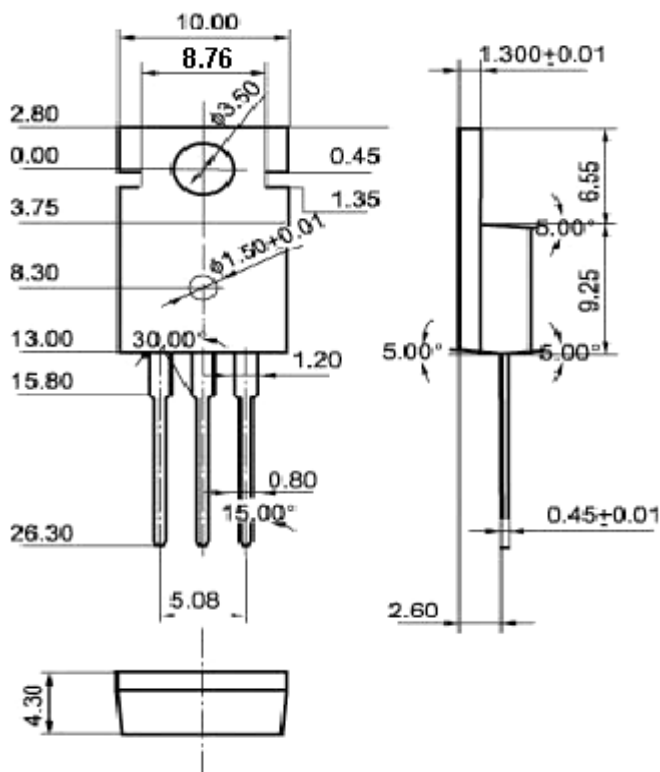


Fig.2 outline dimensions (unindicated tolerance:±0.10 mm)