

Silicon NPN Power Transistors

2SC3230

DESCRIPTION

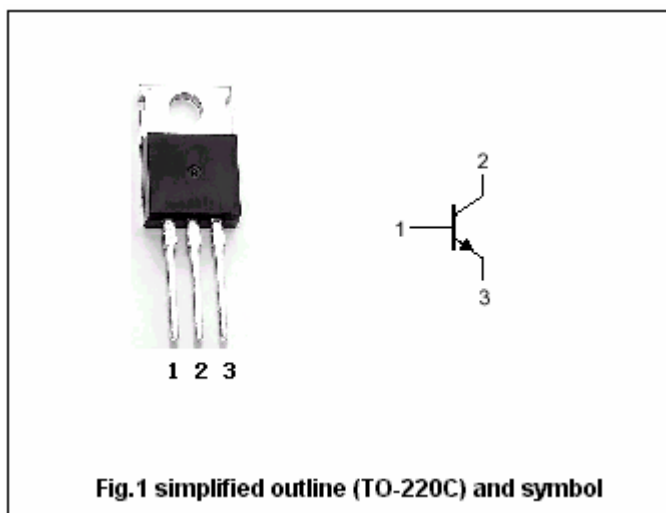
- With TO-220 package
- Complement to type 2SA1276
- Good linearity of h_{FE}

APPLICATIONS

- General purpose applications
- Cordless telephone tx final amplifier application for 1.7MHz system

PINNING

PIN	DESCRIPTION
1	Base
2	Collector;connected to mounting base
3	Emitter



Absolute maximum ratings (Ta=25°C)

SYMBOL	PARAMETER	CONDITIONS	VALUE	UNIT
V_{CBO}	Collector-base voltage	Open emitter	30	V
V_{CEO}	Collector-emitter voltage	Open base	30	V
V_{EBO}	Emitter-base voltage	Open collector	5	V
I_C	Collector current		3	A
I_E	Emitter current		-3	A
P_C	Collector power dissipation	$T_C=25^\circ C$	10	W
T_j	Junction temperature		150	°C
T_{stg}	Storage temperature		-55~150	°C

Silicon NPN Power Transistors

2SC3230

CHARACTERISTICS

T_j=25°C unless otherwise specified

SYMBOL	PARAMETER	CONDITIONS	MIN	TYP.	MAX	UNIT
V _{(BR)CEO}	Collector-emitter breakdown voltage	I _C =10mA ; I _B =0	30			V
V _{(BR)EBO}	Emitter-base breakdown voltage	I _E =1mA ; I _C =0	5			V
V _{CE(sat)}	Collector-emitter saturation voltage	I _C =2A ; I _B =0.2 A		0.3	0.8	V
V _{BE}	Base-emitter on voltage	I _C =0.5A ; V _{CE} =2V		0.75	1.0	V
I _{CBO}	Collector cut-off current	V _{CB} =20V ; I _E =0			1.0	μA
I _{EBO}	Emitter cut-off current	V _{EB} =5V ; I _C =0			1.0	μA
h _{FE-1}	DC current gain	I _C =0.5A ; V _{CE} =2V	70		240	
h _{FE-2}	DC current gain	I _C =2.5A ; V _{CE} =2V	25			
C _{OB}	Collector output capacitance	I _E =0 ; V _{CB} =10V, f=1MHz		35		pF
f _T	Transition frequency	I _C =0.5A ; V _{CE} =2V		100		MHz

◆ h_{FE-1} Classifications

O	Y
70-140	120-240

Silicon NPN Power Transistors

2SC3230

PACKAGE OUTLINE

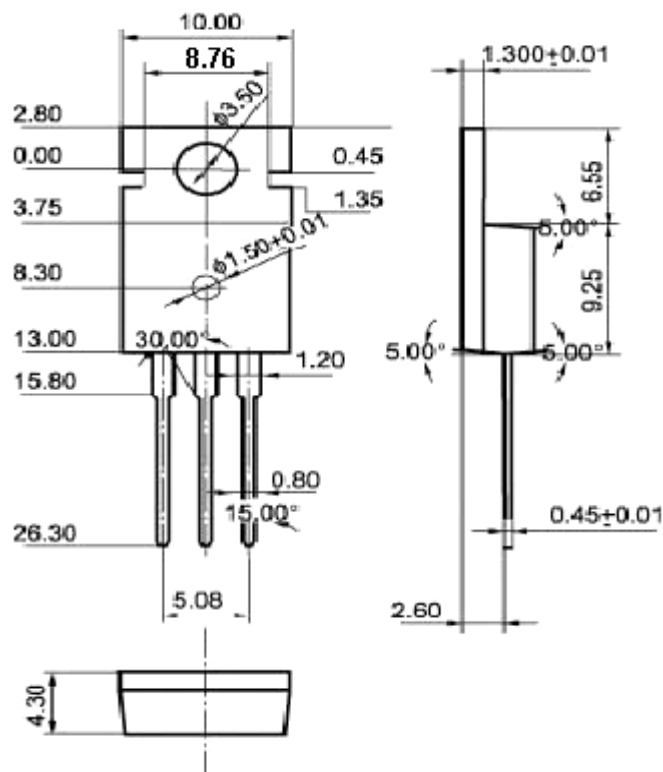


Fig.2 outline dimensions (unindicated tolerance: ±0.10 mm)