

Silicon NPN Power Transistors

2SC2920

DESCRIPTION

- With TO-3 package
- High breakdown voltage
- Fast switching speed.
- Wide area of safe operation

APPLICATIONS

- For switching regulator applications

PINNING(see Fig.2)

PIN	DESCRIPTION
1	Base
2	Emitter
3	Collector

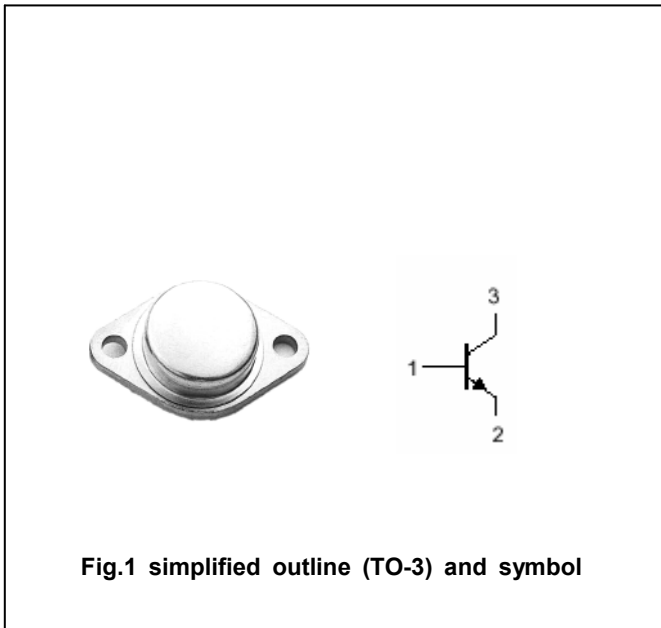


Fig.1 simplified outline (TO-3) and symbol

ABSOLUTE MAXIMUM RATINGS($T_C=25^\circ C$)

SYMBOL	PARAMETER	CONDITIONS	VALUE	UNIT
V_{CBO}	Collector-base voltage	Open emitter	450	V
V_{CEO}	Collector-emitter voltage	Open base	400	V
V_{EBO}	Emitter-base voltage	Open collector	7	V
I_C	Collector current		15	A
P_C	Collector power dissipation	$T_C=25^\circ C$	150	W
T_j	Junction temperature		150	$^\circ C$
T_{stg}	Storage temperature		-55~150	$^\circ C$

Silicon NPN Power Transistors

2SC2920

CHARACTERISTICS

T_j=25°C unless otherwise specified

SYMBOL	PARAMETER	CONDITIONS	MIN	TYP.	MAX	UNIT
V _{(BR)CEO}	Collector-emitter breakdown voltage	I _C =5mA ; R _{BE} =∞	400			V
V _{(BR)CBO}	Collector-base breakdown voltage	I _C =1mA ; I _E =0	450			V
V _{(BR)EBO}	Emitter-base breakdown voltage	I _E =1mA ; I _C =0	7			V
V _{CE(sat)}	Collector-emitter saturation voltage	I _C =10A ; I _B =1A			1.0	V
V _{BE(sat)}	Base-emitter saturation voltage	I _C =10A ; I _B =1A			1.5	V
I _{CBO}	Collector cut-off current	V _{CB} =450V ; I _E =0			100	μA
I _{EBO}	Emitter cut-off current	V _{EB} =5V ; I _C =0			100	μA
h _{FE}	DC current gain	I _C =10A ; V _{CE} =2V	10		30	
f _T	Transition frequency	I _C =2A ; V _{CE} =10V		30		MHz
C _{OB}	Collector output capacitance	I _E =0 ; V _{CB} =10V, f=1MHz		240		pF

PACKAGE OUTLINE

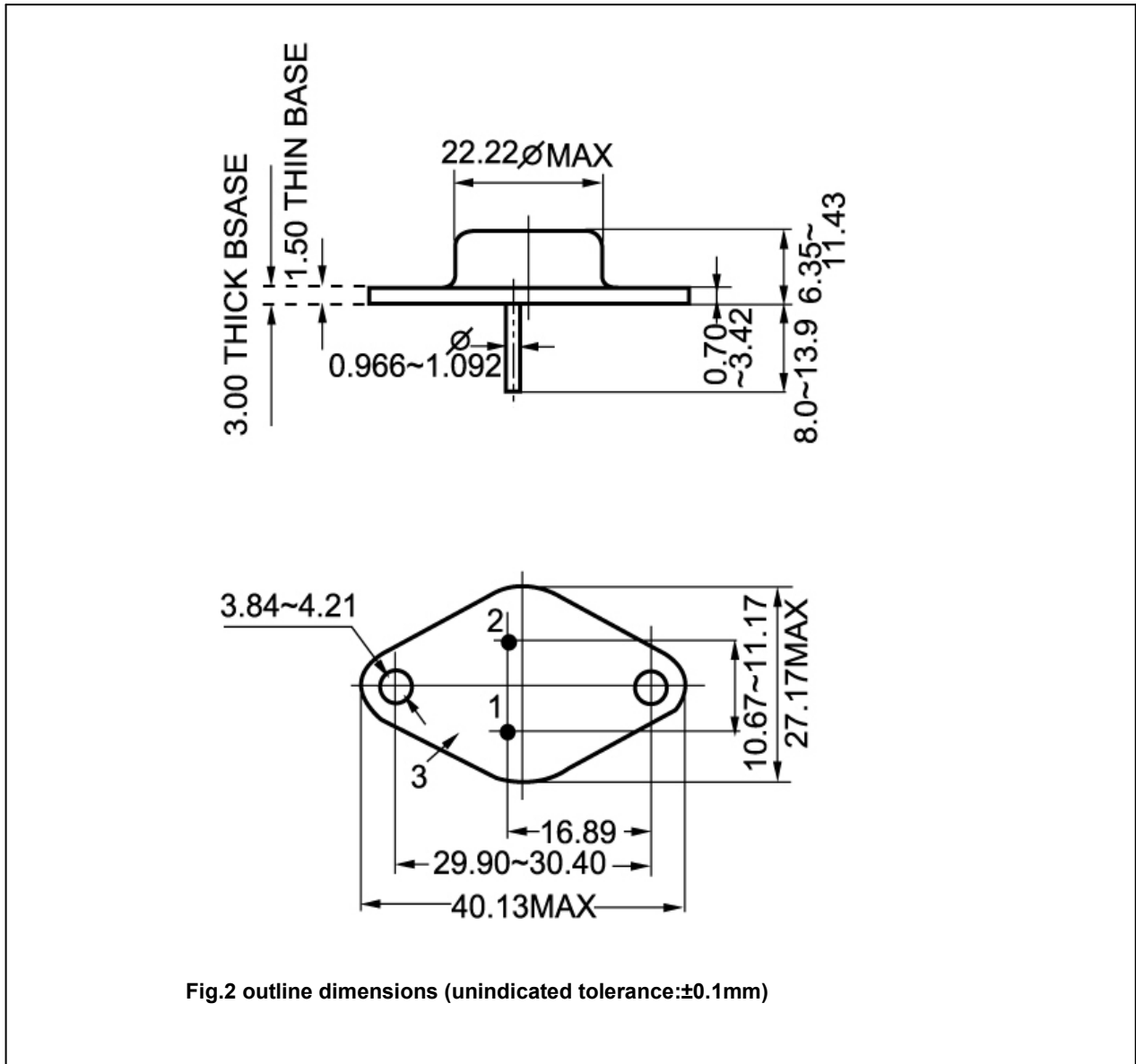


Fig.2 outline dimensions (unindicated tolerance:±0.1mm)