

Silicon NPN Power Transistors

2SC2266

DESCRIPTION

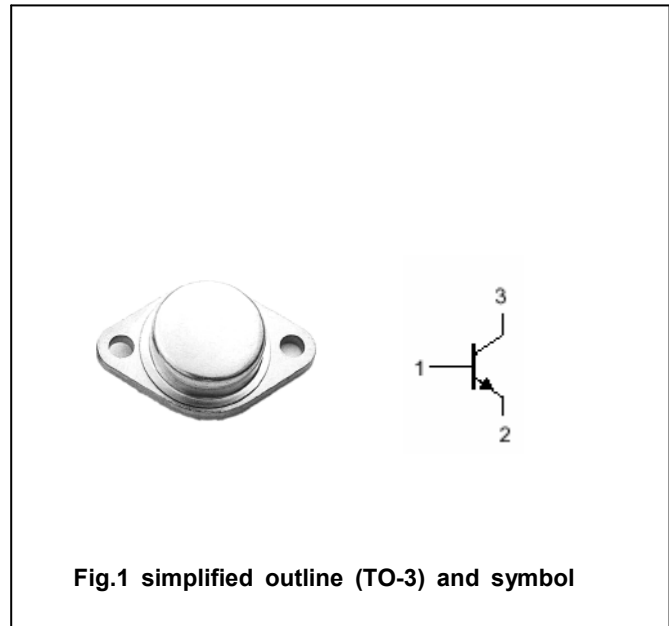
- With TO-3 package
- High dielectric strength
- Short switching time

APPLICATIONS

- For switching regulator application

PINNING (See Fig.2)

PIN	DESCRIPTION
1	Base
2	Emitter
3	Collector

**MAXIMUM RATINGS**

SYMBOL	PARAMETER	CONDITIONS	VALUE	UNIT
V_{CBO}	Collector-base voltage	Open emitter	500	V
V_{CEO}	Collector-emitter voltage	Open base	400	V
V_{EBO}	Emitter-base voltage	Open collector	7	V
I_C	Collector current		10	A
I_B	Base current		3	A
P_T	Total power dissipation	$T_{mb} \leq 25^\circ\text{C}$	100	W
T_j	Junction temperature		150	$^\circ\text{C}$
T_{stg}	Storage temperature		-65~150	$^\circ\text{C}$

THERMAL CHARACTERISTICS

SYMBOL	PARAMETER	VALUE	UNIT
$R_{th\ j-c}$	Thermal resistance from junction to case	1.25	$^\circ\text{C}/\text{W}$

Silicon NPN Power Transistors

2SC2266

CHARACTERISTICS

T_j=25 °C unless otherwise specified

SYMBOL	PARAMETER	CONDITIONS	MIN	TYP.	MAX	UNIT
V _{(BR)CEO}	Collector-emitter breakdown voltage	I _C =10mA ; I _B =0	400			V
V _{(BR)EBO}	Emitter-base breakdown voltage	I _E =1mA ; I _C =0	7			V
V _{CEsat}	Collector-emitter saturation voltage	I _C =8A; I _B =1.6A			1.0	V
V _{BEsat}	Base-emitter saturation voltage	I _C =8A; I _B =1.6A			1.5	V
I _{CBO}	Collector cut-off current	V _{CB} =400V; I _E =0			10	μA
I _{EBO}	Emitter cut-off current	V _{EB} =5V; I _C =0			10	μA
h _{FE-1}	DC current gain	I _C =1.6A ; V _{CE} =5V	10		50	
h _{FE-2}	DC current gain	I _C =8A ; V _{CE} =5V	8			

PACKAGE OUTLINE

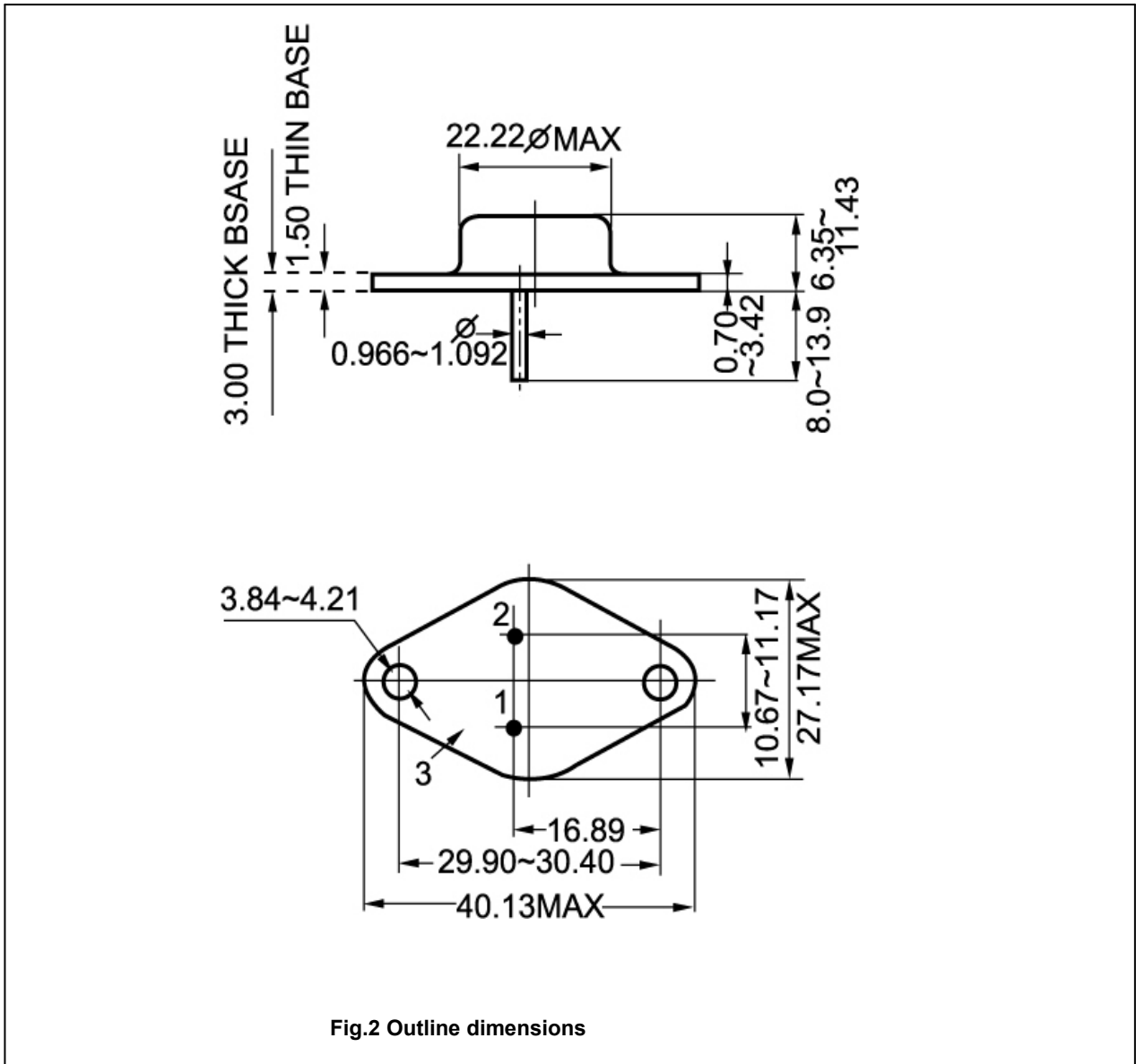


Fig.2 Outline dimensions