



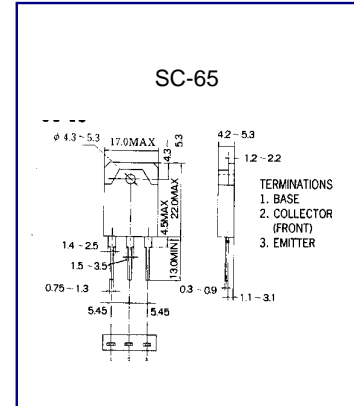
## 2SC1983

## NPN SILICON DARLINGTON TRANSISTOR

SWITCHING REGULATORS PWM INVERTERS  
SOLENOID AND RELAY DRIVERS

### ABSOLUTE MAXIMUM RATINGS ( $T_A=25^\circ\text{C}$ )

Characteristic	Symbol	Rating	Unit
Collector-Base Voltage	$V_{CB0}$	80	V
Collector-Emitter Voltage	$V_{CE0}$	60	V
Collector Current (DC)	$I_C$	3	A
Collector Dissipation ( $T_c=25^\circ\text{C}$ )	$P_C$	30	W
Junction Temperature	$T_j$	150	$^\circ\text{C}$
Storage Temperature	$T_{stg}$	-50~150	$^\circ\text{C}$



### ELECTRICAL CHARACTERISTICS ( $T_A=25^\circ\text{C}$ )

Characteristic	Symbol	Test Condition	Min	Typ	Max	Unit
Collector Cutoff Current	$I_{CBO}$	$V_{CB}=60\text{V}, I_E=0$			10	$\mu\text{A}$
Collector Cutoff Current	$I_{CEO}$	$V_{CB}=60\text{V}, I_B=0$			10	$\mu\text{A}$
DC Current Gain	$h_{FE}$	$V_{CE}=4\text{V}, I_C=1.0\text{A}$	700			
Collector- Emitter Saturation Voltage	$V_{CE(sat)}$	$I_C=0.5\text{A}, I_B=0.001\text{A}$			2.5	V

Wing Shing Computer Components Co., (H.K.)Ltd.  
Homepage: <http://www.wingshing.com>

Tel:(852)2341 9276 Fax:(852)2797 8153  
E-mail: [wsccltd@hkstar.com](mailto:wsccltd@hkstar.com)